

MIXPAC™ B-System



2-COMPONENT INDUSTRY
SOLUTIONS

 medmix

INDUSTRY



OVERVIEW

MIXPAC™ B-SYSTEM

25/50/75 ML INDUSTRIAL SET

ACCESSORIES

ACCESSORIES

	ID	Article
	101651	BRT 205-10
	102274	IOT 406-15
	102277	IOT 506-15
	102356 102357	LA 05-00 LA 06-08

OUTLET TIP

-  Tapered Tip (S)
-  Straight Tip (D)
-  Luer Slip Tip (L)
-  Stepped Tip (T)

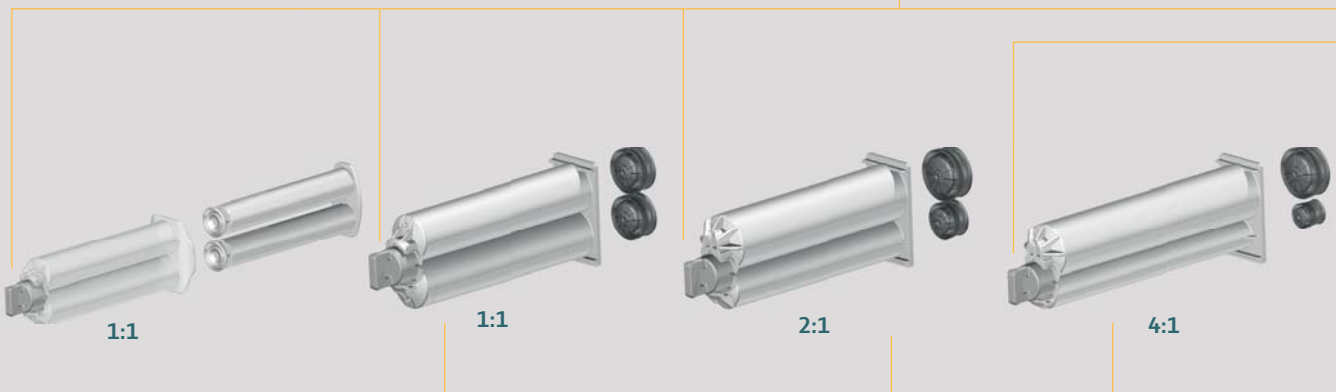
MIXER

-  ○ MBH (Helix)
-  ● MBQ (Quadro™)

25 mL

50 mL

CARTRIDGE



DISPENSER



INTERFACE CONVERTER

B-System => K-System



Ratio	ID	Article
1:1/2:1	128201	IBK 001-10
4:1/10:1	128202	IBKX 001-10

INTERFACE MIXER

K-System

Ratio	Article
1:1/2:1	MKH
4:1/10:1	MKHX

=> for further information see K-System

PISTON RETENTION PLATE

Ratio	ID	Article
1:1/2:1	113719	PRS 050-01-02
4:1/10:1	116564	PRS 050-04-10A



- MBHX (Helix)
- MBQX (Quadro™)

50 mL

75 mL



BS flange



MIXPAC™ B-SYSTEM

CARTRIDGE SET 25 INDUSTRIAL SET



1:1

CARTRIDGE ASSEMBLY 25 ML

Cap preassembled
Colors: ●



1:1



Cartridge
Colors: Ⓝ ●



Plunger
Colors: Ⓝ ● ● ● ●

Ratio Set/ Volume	ID	Article	Cartridges Material/Color	Plunger	Units/ Box	Mixer Technology
1:1 25 mL	116647	AB 025-01-10-01	PP/Ⓝ	Ⓝ	1000	MBH ○ MBQ ●
	116924	AB 025-01-10-02	PP/Ⓝ	●	1000	MBH ○ MBQ ●
	116926	AB 025-01-10-05	PP/Ⓝ	●	1000	MBH ○ MBQ ●
	116927	AB 025-01-10-07	PP/●	●	1000	MBH ○ MBQ ●
	116649	AB 025-01-30-01	PA/Ⓝ	Ⓝ	1000	MBH ○ MBQ ●
	116923	AB 025-01-30-07	PA/●	●	1000	MBH ○ MBQ ●
	129377	AB 025-01-30-09	PA/●	●	1000	MBH ○ MBQ ●

MATCHING MIXERS

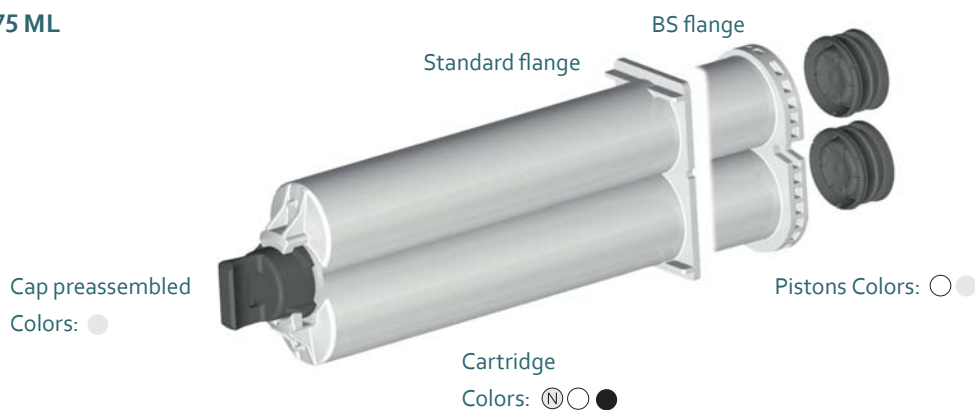
	ID	Article	Number of Elements	Inner Diameter Ø mm/inch	Waste Volume (mL)	Units/Box	Outlet Tip				Accessories							
							Stepped Tip (T)	Straight Tip (D)	Luer Slip Tip (L)	Tapered Tip (S)	LA 05-00	LA 06-08	BRT 205-10	IOT 406-15	IOT 506-15	IOT 715-50		
1:1 MBH 	116457	MBH 03-12D	12	3.2/0.126	0.49	8000	✓										✓	
	116458	MBH 03-12S	12	3.2/0.126	0.49	8000			✓									
	116459	MBH 03-16D	16	3.2/0.126	0.63	8000	✓											✓
	116460	MBH 03-16L	16	3.2/0.126	0.63	7000		✓										
	116461	MBH 03-16S	16	3.2/0.126	0.59	7000				✓								
	116462	MBH 04-12D	12	4.2/0.165	0.84	7000	✓											✓
	116463	MBH 04-16D	16	4.2/0.165	1.04	5000	✓											✓
	116464	MBH 04-16S	16	4.2/0.165	1.04	5000				✓								
	116575	MBH 05-06T	6	5.4/0.213	0.94	8000	✓				✓							
	116465	MBH 05-12D	12	5.4/0.213	1.52	5000	✓						✓					✓
	116466	MBH 05-14D	14	5.4/0.213	1.91	4000	✓						✓					✓
	116467	MBH 05-16T	16	5.4/0.213	1.91	4000	✓				✓							
	116468	MBH 05-20T	20	5.4/0.213	2.92	3000	✓				✓							
	116469	MBH 06-11D	11	6.5/0.256	2.28	4000	✓						✓					✓
	116470	MBH 06-16T	16	6.5/0.256	3.14	3000	✓						✓					
	116471	MBH 06-20T	20	6.5/0.256	3.76	2000	✓						✓					
	116472	MBH 07-11D	11	7.5/0.295	3.05	4000	✓											✓
1:1 MBQ 	114144	MBQ 05-16L	16	5.3/0.209	1.88	3000		✓										
	114145	MBQ 05-24L	24	5.3/0.209	2.60	3000		✓										

CARTRIDGE SET

50/75 INDUSTRIAL SET



CARTRIDGE ASSEMBLY 50/75 ML







Ratio Set/ Volume	ID	Article	Cartridges Material/Color	Piston Material/Type	O-ring	Units/ Box	Mixer Technology	Matching Dispenser
1:1 50 mL	154853	AB 050-01-10-33	PP/○	HDPE, AirFT	–	1250	MBH ○ MBQ ●	DM ● DP ●
	154825	AB 050-01-10-34	PP/○	HDPE, AirFT	EPDM	1250	MBH ○ MBQ ●	DM ● DP ●
	166960	AB 050-01-10-35	PP/○	HDPE, AirFT	Silicone	1250	MBH ○ MBQ ●	DM ● DP ●
	154854	AB 050-01-10-37	PP/●	HDPE, AirFT	–	1250	MBH ○ MBQ ●	DM ● DP ●
	167299	AB 050-01-20-33	PBT/Ⓝ	HDPE, AirFT	–	1250	MBH ○ MBQ ●	DM ● DP ●
	167298	AB 050-01-20-34	PBT/Ⓝ	HDPE, AirFT	EPDM	1250	MBH ○ MBQ ●	DM ● DP ●
	154857	AB 050-01-30-33	PA/○	HDPE, AirFT	–	1250	MBH ○ MBQ ●	DM ● DP ●
	154485	AB 050-01-30-34	PA/○	HDPE, AirFT	EDPM	1250	MBH ○ MBQ ●	DM ● DP ●
	154851	AB 050-01-30-37	PA/●	HDPE, AirFT	–	1250	MBH ○ MBQ ●	DM ● DP ●
2:1 50 mL	154645	AB 050-02-10-33	PP/○	HDPE, AirFT	–	1250	MBH ○ MBQ ●	DM ● DP ●
	154646	AB 050-02-10-34	PP/○	HDPE, AirFT	EPDM	1250	MBH ○ MBQ ●	DM ● DP ●
	154676	AB 050-02-30-33	PP/○	HDPE, AirFT	–	1250	MBH ○ MBQ ●	DM ● DP ●
	154705	AB 050-02-30-34	PA/○	HDPE, AirFT	EPDM	1250	MBH ○ MBQ ●	DM ● DP ●
	154707	AB 050-02-30-35	PA/Ⓝ	HDPE, AirFT	–	1250	MBH ○ MBQ ●	DM ● DP ●
4:1 50 mL	116421	AB 050-04-10-01	PP/○	A-piston, PP, self-venting lip seal; B-piston, PP, solid lip seal	–	625	MBHX ● MBQX ●	DM ● DP ●
	128606	AB 050-04-10-02	PP/○	A-piston, PP, self-venting lip seal; B-piston, PP, solid lip seal with O-ring	EPDM	625	MBHX ● MBQX ●	DM ● DP ●
	167304	AB 050-04-20-01	PBT/Ⓝ	A-piston, PA, self-venting lip seal; B-piston, PA, solid lip seal	–	625	MBHX ● MBQX ●	DM ● DP ●
10:1 50 mL	116423	AB 050-10-10-01	PP/○	A-piston, PP, self-venting lip seal; B-piston, PP, solid lip seal	–	625	MBHX ● MBQX ●	DM ● DP ●
	151982	AB 050-10-10-02	PP/○	A-piston, PA, self-venting lip seal; B-piston, HDPE, solid piston with O-ring	EDPM	625	MBHX ● MBQX ●	DM ● DP ●
	167300	AB 050-10-20-01	PBT/Ⓝ	A-piston, PA, self-venting lip seal; B-piston, PA, solid lip seal	–	625	MBHX ● MBQX ●	DM ● DP ●

BS FLANGE

Ratio Set/ Volume	ID	Article	Cartridges Material/Color	Piston Material/ Type	O-ring	Units/ Box	Mixer Technology	Matching Dispenser
1:1 50 mL	154850	AB S50-01-10-33	PP/○	HDPE, AirFT	–	1250	MBH ● MBQ ○	DS ● DP ●
	154829	AB S50-01-10-37	PP/●	HDPE, AirFT	–	1250	MBHX ● MBQX ●	DS ● DP ●
	154828	AB S50-01-30-33	PA/○	HDPE, AirFT	–	1250	MBH ● MBQ ○	DS ● DP ●
75 mL	158029	AB S75-01-10-33	PP/⊗	HDPE, AirFT	–	625	MBHX ● MBQX ●	DS ● DP ●
2:1 50 mL	154708	AB S50-02-10-33	PP/○	HDPE, AirFT	–	1250	MBHX ● MBQX ●	DS ● DP ●
10:1 50 mL	152458	AB S50-10-10-01	PP/○	PP, self venting lip seal	–	625	MBHX ● MBQX ●	DS ● DP ●
	167251	AB S50-10-20-01	PBT/⊗	PP, self venting lip seal	–	1250	MBHX ● MBQX ●	DS ● DP ●
	167253	AB S50-10-20-06	PBT/⊗	PA, solid lip seal with O-ring	Silicone	1250	MBHX ● MBQX ●	DS ● DP ●
	167288	AB S50-10-20-08	PBT/⊗	A-piston, PA, self-venting lip seal / B-piston, PA, solid lip seal with O-ring	Silicone	1250	MBHX ● MBQX ●	DS ● DP ●
10:1 75 mL	167271	AB S75-10-20-02	PBT/⊗	PA, solid lip seal with O-ring	Silicone	900	MBHX ● MBQX ●	DS ● DP ●
	167273	AB S75-10-20-03	PBT/⊗	PA, solid lip seal with O-ring	Silicone	350	MBHX ● MBQX ●	DS ● DP ●
	167274	AB S75-10-20-05	PBT/⊗	A-piston, PA, self-venting lip seal / B-piston, PA, self-venting lip seal with O-ring	Silicone	900	MBHX ● MBQX ●	DS ● DP ●

MATCHING MIXERS

	ID	Article	Number of Elements	Inner Diameter Ø mm/inch	Waste Volume (mL)	Units/ Box	Outlet Tip				Accessories							
							Stepped Tip (T)	Straight Tip (D)	Luer Slip Tip (L)	Tapered Tip (S)	LA 05-00	LA 06-08	BRT 205-10	IOT 406-15	IOT 506-15	IOT 212-20	IOR 209-20	IOT 715-50
 1:1/2:1 MBH	116457	MBH 03-12D	12	3.2/0.126	0.49	8000	✓											
	116458	MBH 03-12S	12	3.2/0.126	0.49	8000			✓									
	116459	MBH 03-16D	16	3.2/0.126	0.63	8000	✓											
	116460	MBH 03-16L	16	3.2/0.126	0.63	7000		✓										
	116461	MBH 03-16S	16	3.2/0.126	0.59	8000			✓									
	116462	MBH 04-12D	12	4.2/0.165	0.84	7000	✓											
	116463	MBH 04-16D	16	4.2/0.165	1.04	5000	✓											
	116464	MBH 04-16S	16	4.2/0.165	1.04	5000			✓									
	116575	MBH 05-06T	6	5.4/0.213	0.94	8000	✓				✓							
	116465	MBH 05-12D	12	5.4/0.213	1.52	5000	✓					✓		✓				
	116466	MBH 05-14D	14	5.4/0.213	1.91	4000	✓					✓		✓				
	116467	MBH 05-16T	16	5.4/0.213	1.91	4000	✓				✓							
	116468	MBH 05-20T	20	5.4/0.213	2.29	3000	✓				✓							
	116469	MBH 06-11D	11	6.5/0.256	2.28	4000	✓					✓		✓				
	116470	MBH 06-16T	16	6.5/0.256	3.14	3000	✓					✓						
	116471	MBH 06-20T	20	6.5/0.256	3.76	2000	✓					✓						
116472	MBH 07-11D	11	7.5/0.295	3.05	4000	✓											✓	
 4:1/10:1 MBHX	116473	MBHX 03-16S	16	3.2/0.126	0.60	7000			✓									
	116474	MBHX 04-16D	16	4.2/0.165	1.05	6000	✓											
	116576	MBHX 04-16S	16	4.2/0.165	1.05	5000			✓									
	116475	MBHX 05-12D	12	5.4/0.213	1.52	5000	✓					✓	✓	✓				
	116476	MBHX 05-16T	16	5.4/0.213	1.91	4000	✓				✓							
	116477	MBHX 05-20T	20	5.4/0.213	2.07	3000	✓				✓							
	116478	MBHX 06-16D	16	6.5/0.256	3.14	3000	✓					✓						
	116480	MBHX 06-16T	16	6.5/0.256	3.04	3000	✓					✓		✓				
	116481	MBHX 06-20T	20	6.5/0.256	3.79	2000	✓					✓						
	 1:1/2:1 MBQ	114144	MBQ 05-16L	16	5.3/0.209	1.88	3000		✓									
154801		MBQ 05-16L-12 ●*	16	5.3/0.209	1.88	3000		✓										
114145		MBQ 05-24L	24	5.3/0.209	2.60	3000		✓										
 4:1/10:1 MBQX	116063	MBQX 05-16L	16	5.3/0.209	1.72	3000		✓										
	116062	MBQX 05-24L	24	5.3/0.209	2.37	3000		✓										

* different color

MATCHING DISPENSERS

		ID	Article	Flange			Ratio				Force (kN)
				B 50	B 550	B 75	1:1	2:1	4:1	10:1	
DM: DMA/DMB dispenser manual		101875	DMA 51-00-10	✓			✓	✓		1.2	
		116795	DMB 50-04-01	✓					✓	1.2	
		116794	DMB 50-10-01	✓						✓	1.2
DS dispenser manual		101934	DS 53-01-00		✓		✓	✓		1.2	
		109146	DS 51-04-00		✓				✓	1.2	
		101929	DS 51-10-00		✓					✓	1.2
		115676	DS 75-10-00		✓					✓	1.2
		110938	DS 77-01-00		✓		✓				1.2
DP: TS408 dispenser pneumatic		151780	DP2K 050-MR-130	✓			✓	✓		1.3	
		153094	DP2K 050-41-130	✓					✓	✓	1.3
		151886	DP2K S50-10-130		✓					✓	1.3
		153098	DP2K 075-MR-130			✓	✓	✓	✓	✓	1.3

DELIVERING INNOVATION. INSPIRING CONFIDENCE.

EUROPE

medmix Switzerland AG

Ruetistrasse 7
9469 Haag, Switzerland
Phone +41 81 414 70 00
sales.industry@medmix.com
www.medmix.swiss

USA, SOUTH AMERICA, CANADA AND MEXICO

medmix USA Inc.

8 Willow St.
Salem, NH 03079, USA
Phone +1 603 893 2727
sales.industry@medmix.com
www.medmix.swiss

UK AND IRELAND

medmix UK Ltd.

1 Tealgate, Charnham Park, Hungerford
Berkshire, RG17 0YT, United Kingdom
Phone: +44 (0)1488 647 800
sales.industry@medmix.com
www.coxdispensers.com

ASIA PACIFIC

medmix China Ltd.

68 Bei Dou Lu, Minhang Shanghai
200245, China
Phone: +86 21 6430 68 68
sales.industry@medmix.com
www.medmix.swiss



Legal Notice: This brochure is a general presentation. The information contained in this publication is believed to be accurate and reliable but is not to be construed as implying any warranty or guarantee of performance. We waive any liability and indemnity for effects resulting from its application. Please, contact us for a description of the warranties and guarantees offered with our products. Directions for use and safety will be given separately. All information herein is subject to change without notice.

© 2022 medmix Switzerland AG All rights reserved.

medmix is a trademark belonging to medmix AG, and MIXPAC is a trademark belonging to medmix Switzerland AG.