

# MIXPAC™ Systems for Adhesives Applications



2-COMPONENT DISPENSERS

 medmix

INDUSTRY



# DISPENSER SYSTEMS



The Mixpac DS Manual Dispenser for 50 and 75 mL BS-System Cartridges



The Mixpac DM2X Manual Dispenser for 200 and 400 mL C, F, and BlueLine-System Cartridges



The Mixpac DMA/DMB Manual Dispenser for 50 and 75 mL A- and B-System Cartridges



The Mixpac DP2X Pneumatic Dispenser for 200 and 400 mL C, F, and BlueLine-System Cartridges

All of our MIXPAC™ dispensers may be recognized by their well-known unique and pleasing visual appearances.



## TABLE OF CONTENTS 2-COMPONENT DISPENSERS

MIXPAC™ DMA/DMB	4
MIXPAC™ DS	6
MIXPAC™ DM2X 200	8
MIXPAC™ DM2X 400	10
MIXPAC™ DP2X 200	12
MIXPAC™ DP2X 400	14
MIXPAC™ Accessories and Spare Parts	16

# MIXPAC™ DMA/DMB

## 50/75 ML CARTRIDGE DISPENSER FOR A- AND B-SYSTEM

### Cartridge Support

Flap designed for maximum cartridge support and for easy cartridge exchange



### Release Button

Easily accessible with one hand

### Trigger

Dual drive to ensure even high viscosity materials maintain their mixing ratio

### Ergonomic Handle

For maximum comfort

### FEATURES

- Exchangeable plunger system
- Allotted surface for logo
- Ergonomically designed

### BENEFITS

- Can be quickly converted into all 50mL and 75 mL ratios for A- and B-systems
- The tool can be customized
- For comfortable and long working times

### APPLICATIONS



Bonding



Sealing



Repair

### PRODUCT BY RANGE

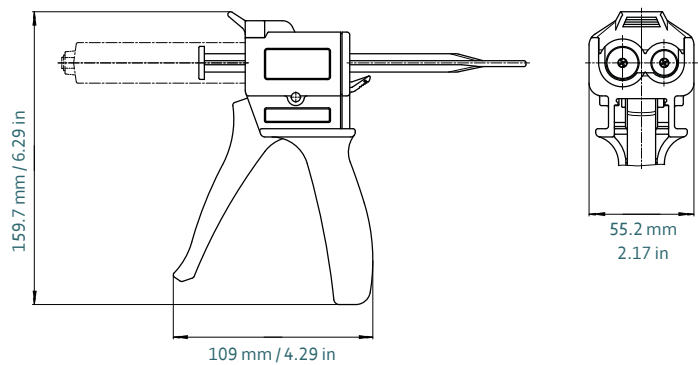


# THE MIXPAC™ DMA/DMB IS A MANUAL LIGHTWEIGHT AND STURDY 2-COMPONENT DISPENSER DESIGNED FOR EASY HANDLING AND PRECISE DISPENSING.

## SPECIFICATIONS

- Weight 184 g / 0.41 lbs
- Length: 109 mm / 4.3 in
- Tool material: PP & reinforced nylon
- Cartridge capacity: 50/75 mL
- Cartridge ratio: 1:1/2:1/4:1/10:1

## DIMENSIONS



Part number	Article number	Ratio				Packaging
		1:1	2:1	4:1	10:1	
DMA 51-00-10	101875	✓	✓			
DMA 54-00-10	101883	✓	✓	✓		
DMA 59-00-10	112790	✓	✓		✓	Packed individually 64 units per master carton (50 mL)
DMA 75-00-10	111746	✓				Packed individually 32 units per master carton (75 mL)
DMB 50-04-01	116795			✓		
DMB 50-10-01	116794				✓	

## MATCHING MIXPAC™ SIDE BY SIDE CARTRIDGES

### A-SYSTEM



A-System  
50 mL / 1:1 PP/PA



A-System  
50 mL / 2:1 PP/PA



A-System  
50 mL / 4:1 PP/PA



A-System  
50 mL / 10:1 PP/PA/PBT



A-System  
75 mL / 1:1 PP

### B-SYSTEM



B-System  
50 mL / 1:1 PP/PA/PBT



B-System  
50 mL / 2:1 PP/PA



B-System  
50 mL / 4:1 PP/PBT



B-System  
50 mL / 10:1 PP/PBT

## CONVERSION KITS

PLA 050-01, PLA 050-04, PLA 050-10, PLA 075-01, PLB 50-04, PLB 50-10, see page 16.

## MATCHING ACCESSORIES

All accessories are displayed on page 16.

# MIXPAC™ DS

## 50/75 ML CARTRIDGE DISPENSER FOR BS-SYSTEM

### Cartridge Support

Flap designed for maximum cartridge support and for easy cartridge exchange



### Release Button

Easily accessible with one hand

### Trigger

Dual drive to ensure even high viscosity materials maintain their mixing ratio

### Ergonomic Handle

For maximum comfort

### FEATURES

- Dedicated tool for 1:1/2:1 ratios
- 4:1 and 10:1 plunger systems
- Allotted surface for logo
- Ergonomically designed

### BENEFITS

- No plunger change needed
- For easy ratio conversion
- The tool can be customized
- For comfortable and long working time

### APPLICATIONS



Bonding



Sealing



Repair

### PRODUCT BY RANGE



DS 51-04-00

DS 51-10-00

DS 53-01-00

DS 75-10-00

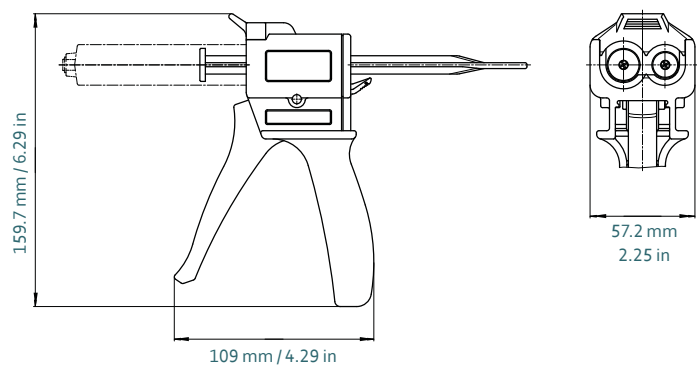
DS 77-01-00

# THE MIXPAC™ DS IS A MANUAL LIGHTWEIGHT AND STURDY 2-COMPONENT DISPENSER DESIGNED FOR EASY HANDLING AND PRECISE DISPENSING.

## SPECIFICATIONS

- Weight 215 g / 0.47 lbs
- Length: 109 mm / 4.3 in
- Tool material: PPO & reinforced nylon
- Cartridge capacity: 50-75 mL
- Cartridge ratio: 1:1/2:1/4:1/10:1

## DIMENSIONS



Part number	Article number	Ratio				Packaging
		1:1	2:1	4:1	10:1	
DS 51-04-00	109146			✓		
DS 51-10-00	101929				✓	Packed individually 64 units per master carton (50 mL)
DS 53-01-00	101934	✓	✓			
DS 75-10-00	115676				✓	Packed individually 32 units per master carton (75 mL)
DS 77-01-00	110938	✓				

## MATCHING MIXPAC™ CARTRIDGES

### BS-SYSTEM



BS-System  
50 mL / 1:1 PP/PA



BS-System  
50 mL / 2:1 PP



BS-System  
50 mL / 4:1 PP/PBT



BS-System  
50 mL / 10:1 PP/PBT



BS-System  
75 mL / 1:1 PP



BS-System  
75 mL / 10:1 PBT

## CONVERSION KITS

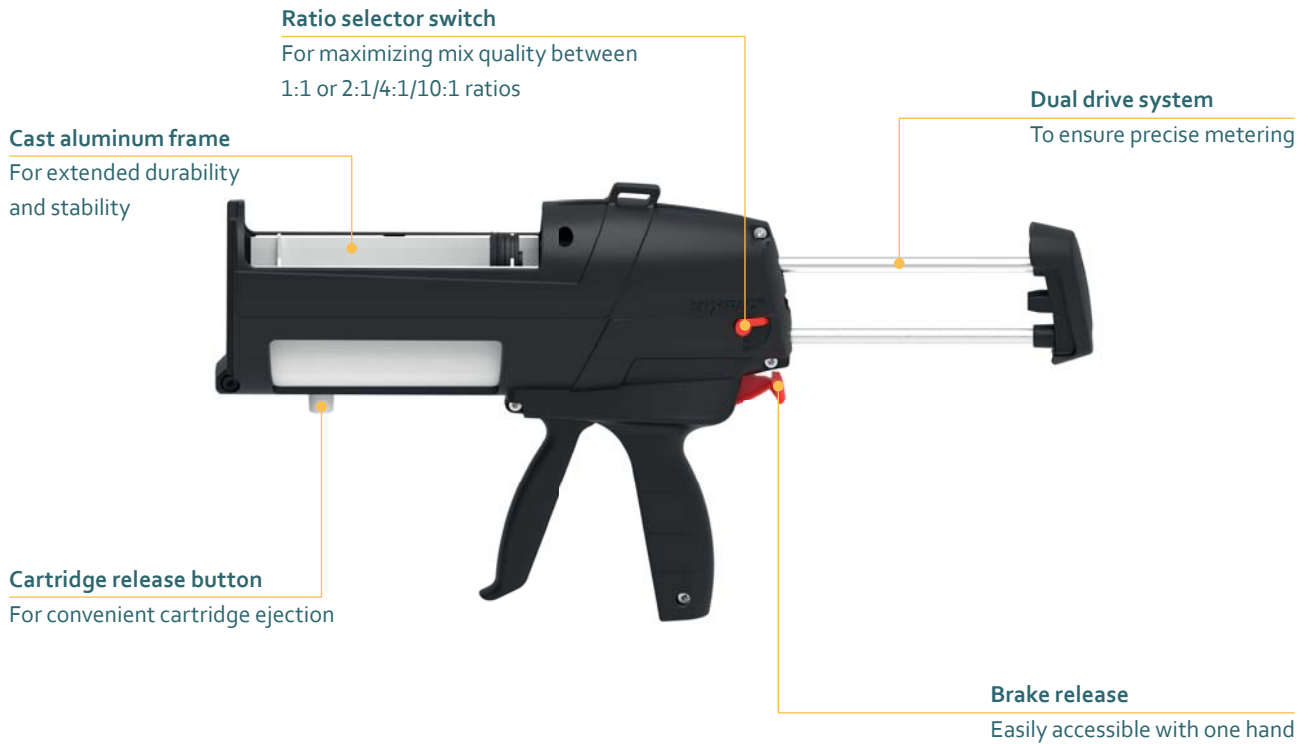
PLS 053-01, PLS 051-04, PLS 051-10, PLS 075-10, PLS 077-01, see page 16.

## MATCHING ACCESSORIES

All accessories are displayed on page 16.

# MIXPAC™ DM2X 200

## 200 ML CARTRIDGE DISPENSER



### FEATURES

- Universal conversion kits with interchangeable cartridge trays and plungers
- High thrust ratio
- Ergonomically designed

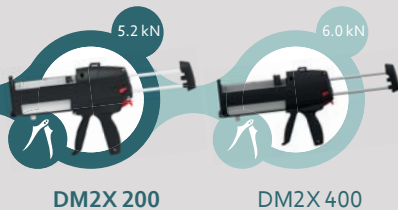
### BENEFITS

- Quick ratio exchange and use with DM2X and DP2X tools
- Easy to dispense high viscosity products
- Maximum comfort and fatigue-free operation

### APPLICATIONS



### PRODUCT BY RANGE



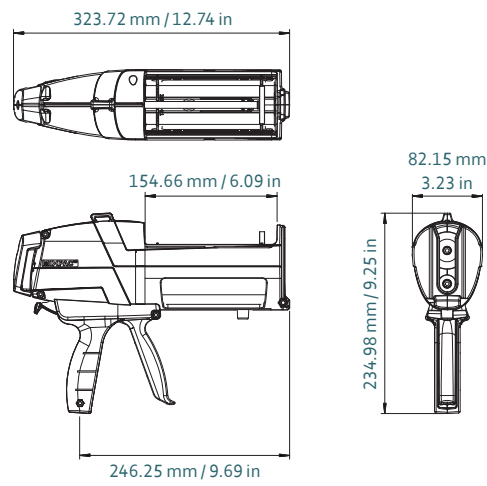


# THE DM2X 200 IS A MANUAL DISPENSER FOR ACCURATE METERING WITH PRECISE AND CONSISTENT RESULTS.

## SPECIFICATIONS

- Weight 1.60 kg / 3.53 lbs
- Length: 324 mm / 12.7 in
- Maximum Thrust: 5.2 kN
- Thrust ratio: 22:1
- Tool material: cast aluminum
- Cartridge capacity: 200 mL
- Cartridge ratio: 1:1 / 2:1 / 4:1 / 10:1

## DIMENSIONS



Part number	Article number	Ratio				Packaging
		1:1	2:1	4:1	10:1	
DM2X 200-01-52-01	165803	✓	✓			Packed individually 1 unit per master carton
DM2X 200-04-52-01	165804			✓		
DM2X 200-10-52-01	165805				✓	

## MATCHING MIXPAC™ SIDE-BY-SIDE CARTRIDGES

### C-SYSTEM / F-SYSTEM



C-System / F-System  
200 mL / 1:1 PP/PA



C-System / F-System  
200 mL / 2:1 PP/PA



C-System / F-System  
200 mL / 4:1 PP/PBT



C-System / F-System  
200 mL / 10:1 PP/PBT

## CONVERSION KITS

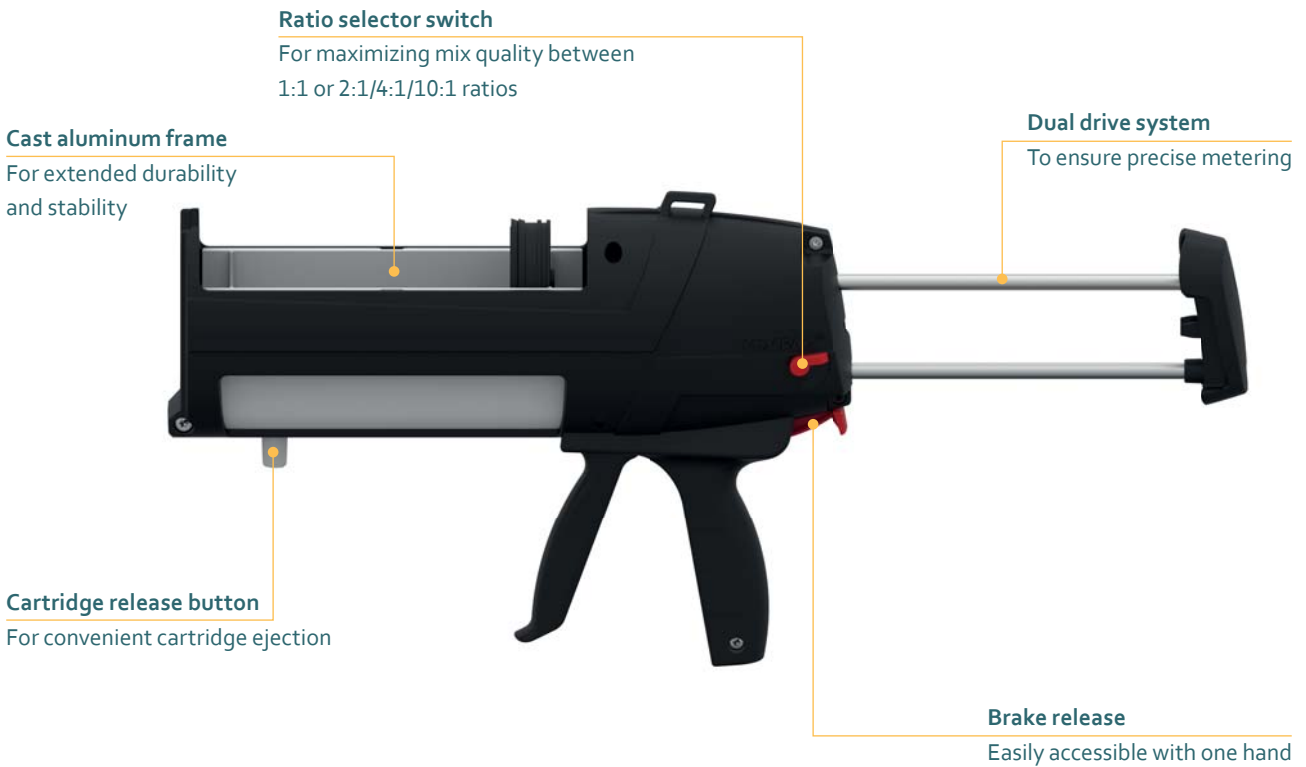
CKX 200-01-01, CKX 200-04-01, CKX 200-10-01

## MATCHING ACCESSORIES

All accessories are displayed on page 16.

# MIXPAC™ DM2X 400

## 400 ML CARTRIDGE DISPENSER



### FEATURES

- Universal conversion kits with interchangeable cartridge trays and plungers
- High thrust ratio
- Ergonomically designed

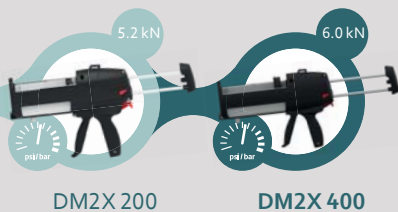
### BENEFITS

- Quick ratio exchange and use with DM2X and DP2X tools
- Easy to dispense high viscosity products
- Maximum comfort and fatigue-free operation

### APPLICATIONS



### PRODUCT BY RANGE

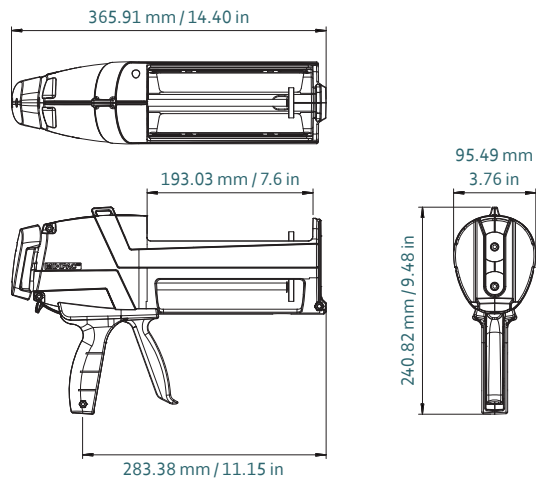


# THE DM2X 400 IS A MANUAL DISPENSER FOR ACCURATE METERING WITH PRECISE AND CONSISTENT RESULTS.

## SPECIFICATIONS

- Weight: 1.93 kg / 4.24 lbs
- Length: 366mm / 14.4 in
- Maximum thrust: 6.0 kN
- Thrust ratio: 35:1
- Tool material: cast aluminum
- Cartridge capacity: 400 mL
- Cartridge ratio: 1:1/2:1/4:1/10:1

## DIMENSIONS



Part number	Article number	Ratio				Packaging
		1:1	2:1	4:1	10:1	
DM2X 400-01-60-01	165807	✓	✓			Packed individually 1 unit per master carton
DM2X 400-04-60-01	165808			✓		
DM2X 400-10-60-01	165809				✓	

## MATCHING MIXPAC™ SIDE-BY-SIDE CARTRIDGES

### C-SYSTEM / F-SYSTEM



C-System / F-System  
400 mL / 1:1 PP/PA/PBT



C-System / F-System  
400 mL / 2:1 PP/PA



C-System / F-System  
400 mL / 4:1 PP/PBT



C-System / F-System  
400 mL / 10:1 PP/PBT

## CONVERSION KITS

CKX 400-01-01, CKX 400-04-01, CKX 400-10-01

## MATCHING ACCESSORIES

All accessories are displayed on page 16.

# MIXPAC™ DP2X 200

## 200 ML CARTRIDGE DISPENSER

### Indicator Rod

To quickly see how much material is remaining in the cartridge

### Mounting Hook

To suspend dispenser

### Cartridge Release Button

Conveniently located to provide easiest cartridge ejection

### Trigger

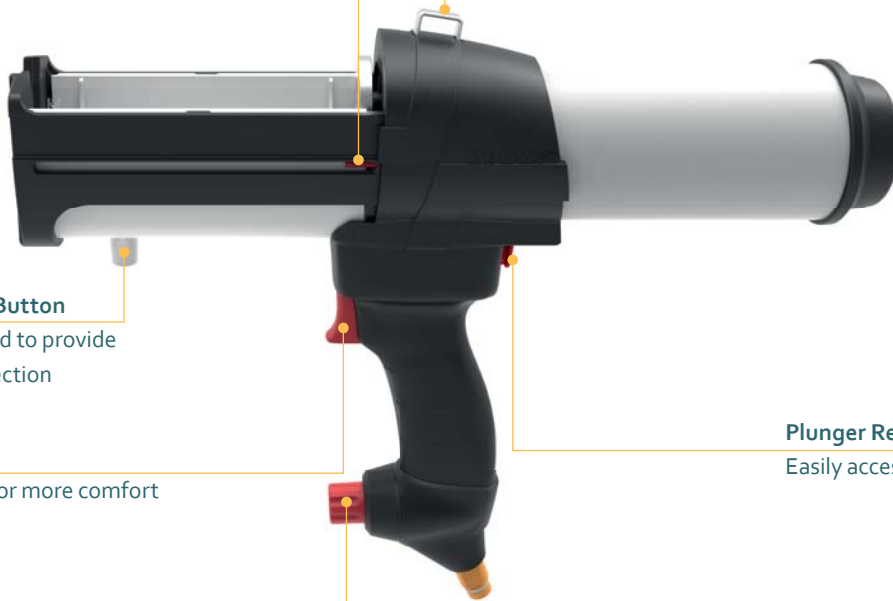
Ergonomic trigger for more comfort

### Plunger Retract Button

Easily accessible with one hand

### Regulator

Adjust output force



## FEATURES

- Universal conversion kits with interchangeable cartridge trays and plungers
- Quick exhaust
- Integrated anti-drip feature
- Ergonomically designed

## BENEFITS

- Quick ratio exchange and use with DM2X and DP2X tools
- High precision and dispensing accuracy
- No oozing or dripping
- Fatigue free operation for longer periods of time

## APPLICATIONS



Bonding



Gap Filling



Sealing



Shimming



Solid Surface



Encapsulation

## PRODUCT BY RANGE



DP2X 200

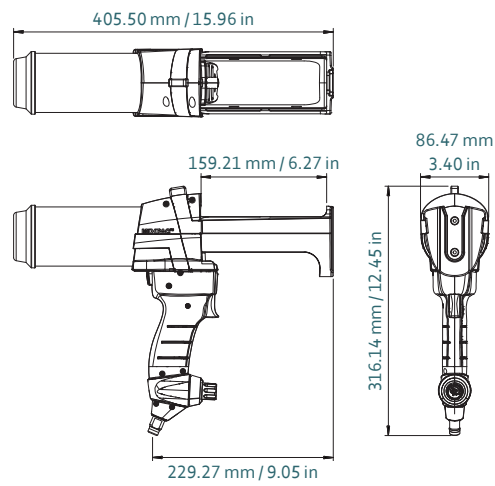
DP2X 400

# THE DP2X 200 IS A PNEUMATIC DISPENSER FOR ACHIEVING ACCURATE AND REPEATABLE RESULTS WHILE WORKING WITH MAXIMUM COMFORT.

## SPECIFICATIONS

- Weight 1.76 kg / 3.87 lbs
- Length: 406 mm / 15.9 in
- Maximum Thrust: 2.5 kN
- Tool material: cast aluminium and reinforced nylon
- Cartridge capacity: 200 mL
- Cartridge ratio: 1:1 / 2:1 / 4:1 / 10:1
- Air inlet: 1/4 in NPT
- Max operating pressure: 6.8 bar / 100 psi

## DIMENSIONS



Part number	Article number	Ratio				Packaging
		1:1	2:1	4:1	10:1	
DP2X 200-01-25-01	165860	✓	✓			Packed individually 1 unit per master carton
DP2X 200-04-25-01	165861			✓		
DP2X 200-10-25-01	165862				✓	

## MATCHING MIXPAC™ SIDE-BY-SIDE CARTRIDGES

### C-SYSTEM / F-SYSTEM



C-System / F-System  
200 mL / 1:1 PP/PA



C-System / F-System  
200 mL / 2:1 PP/PA



C-System / F-System  
200 mL / 4:1 PP/PBT



C-System / F-System  
200 mL / 10:1 PP/PBT

## CONVERSION KITS

CKX 200-01-01, CKX 200-04-01, CKX 200-10-01

## MATCHING ACCESSORIES

All accessories are displayed on page 16.

# MIXPAC™ DP2X 400

## 400 ML CARTRIDGE DISPENSER

### Indicator Rod

To quickly see how much material is remaining in the cartridge

### Mounting Hook

To suspend dispenser



### Cartridge Release Button

Conveniently located to provide easiest cartridge ejection

### Trigger

Ergonomic trigger for more comfort

### Plunger Retract Button

Easily accessible with one hand

### Regulator

Adjust output force

## FEATURES

- Universal conversion kits with interchangeable cartridge trays and plungers
- Quick exhaust
- Integrated anti-drip feature
- Ergonomically designed

## BENEFITS

- Quick ratio exchange and use with DM2X and DP2X tools
- High precision and dispensing accuracy
- No oozing or dripping
- Fatigue free operation for longer periods of time

## APPLICATIONS



Bonding



Gap Filling



Sealing



Shimming



Solid Surface



Encapsulation

## PRODUCT BY RANGE



DP2X 200

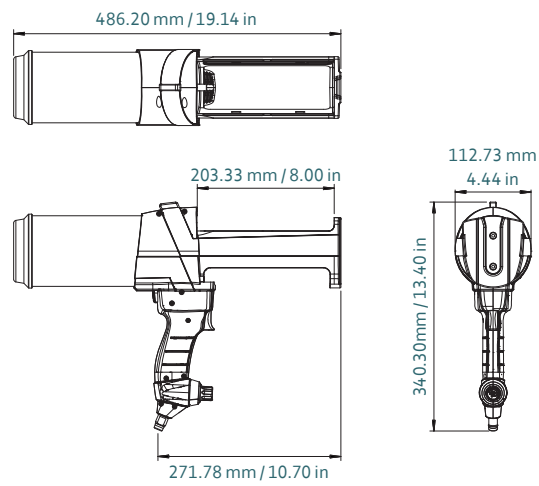
DP2X 400

# THE DP2X 400 IS A PNEUMATIC DISPENSER FOR ACHIEVING ACCURATE AND REPEATABLE RESULTS WHILE WORKING WITH MAXIMUM COMFORT.

## SPECIFICATIONS

- Weight 2.66 kg / 5.87 lbs
- Length: 486 mm / 19.1 in
- Maximum Thrust: 5.0 kN
- Tool material: cast aluminium and reinforced nylon
- Cartridge capacity: 400 mL
- Cartridge ratio: 1:1 / 2:1 / 4:1 / 10:1
- Air inlet: 1/4 in NPT
- Max operating pressure: 6.8 bar/100 psi

## DIMENSIONS



Part number	Article number	Ratio				Packaging
		1:1	2:1	4:1	10:1	
DP2X 400-01-50-01	165864	✓	✓			Packed individually 1 unit per master carton
DP2X 400-04-50-01	165865			✓		
DP2X 400-10-50-01	165866				✓	

## MATCHING MIXPAC™ SIDE-BY-SIDE CARTRIDGES

### C-SYSTEM / F-SYSTEM



C-System / F-System  
400 mL / 1:1 PP/PA



C-System / F-System  
400 mL / 2:1 PP/PA



C-System / F-System  
400 mL / 4:1 PP/PBT



C-System / F-System  
400 mL / 10:1 PP/PBT





## CONVERSION KITS

CKX 400-01-01, CKX 400-04-01, CKX 400-10-01

## MATCHING ACCESSORIES

All accessories are displayed on 16.

# MIXPAC™ ACCESSORIES AND SPARE PARTS

	Name/Description	ID	Article number	Compatible with
	<b>Plunger for DS Dispensers</b>	103160 113018 100385 113559 115587	PLS 053-01 PLS 051-04 PLS 051-10 PLS 077-01 PLS 075-10	<b>DS</b>
	<b>Plunger for DMA/DMB Dispensers</b>	109018 109020 103114 109193 128083 128084	PLA 050-01 PLA 050-04 PLA 050-10 PLA 075-01 PLB 50-04 PLB 50-10	<b>DMA/DMB</b>
	<b>Conversion Kit 200 mL</b> Cartridge tray A and B plunger disks	165834 165835 165836	CKX 200-01-01 CKX 200-04-01 CKX 200-10-01	<b>DM2X 200</b> <b>DP2X 200</b>
	<b>Conversion Kit 400 mL</b> Cartridge tray A and B plunger disks	165839 165840 165841	CKX 400-01-01 CKX 400-04-01 CKX 400-10-01	<b>DM2X 400</b> <b>DP2X 400</b>





# DELIVERING INNOVATION. INSPIRING CONFIDENCE.

## EUROPE

### medmix Switzerland AG

Ruetistrasse 7

9469 Haag, Switzerland

Phone +41 81 414 70 00

[sales.industry@medmix.com](mailto:sales.industry@medmix.com)

[www.medmix.swiss](http://www.medmix.swiss)

## USA, SOUTH AMERICA, CANADA AND MEXICO

### medmix USA Inc.

8 Willow St.

Salem, NH 03079, USA

Phone +1 603 893 2727

[sales.industry@medmix.com](mailto:sales.industry@medmix.com)

[www.medmix.swiss](http://www.medmix.swiss)

## UK AND IRELAND

### medmix UK Ltd.

1 Tealgate, Charnham Park, Hungerford

Berkshire, RG17 0YT, United Kingdom

Phone: +44 (0)1488 647 800

[sales.industry@medmix.com](mailto:sales.industry@medmix.com)

[www.coxdispensers.com](http://www.coxdispensers.com)

## ASIA PACIFIC

### medmix China Ltd.

68 Bei Dou Lu, Minhang Shanghai

200245, China

Phone: +86 21 6430 68 68

[sales.industry@medmix.com](mailto:sales.industry@medmix.com)

[www.medmix.swiss](http://www.medmix.swiss)



Legal Notice: This brochure is a general presentation. The information contained in this publication is believed to be accurate and reliable but is not to be construed as implying any warranty or guarantee of performance. We waive any liability and indemnity for effects resulting from its application. Please, contact us for a description of the warranties and guarantees offered with our products. Directions for use and safety will be given separately. All information herein is subject to change without notice.

© 2022 medmix Switzerland AG All rights reserved.

medmix is a trademark belonging to medmix AG, and MIXPAC is a trademark belonging to medmix Switzerland AG.