

# COX™ Dispensing Solutions

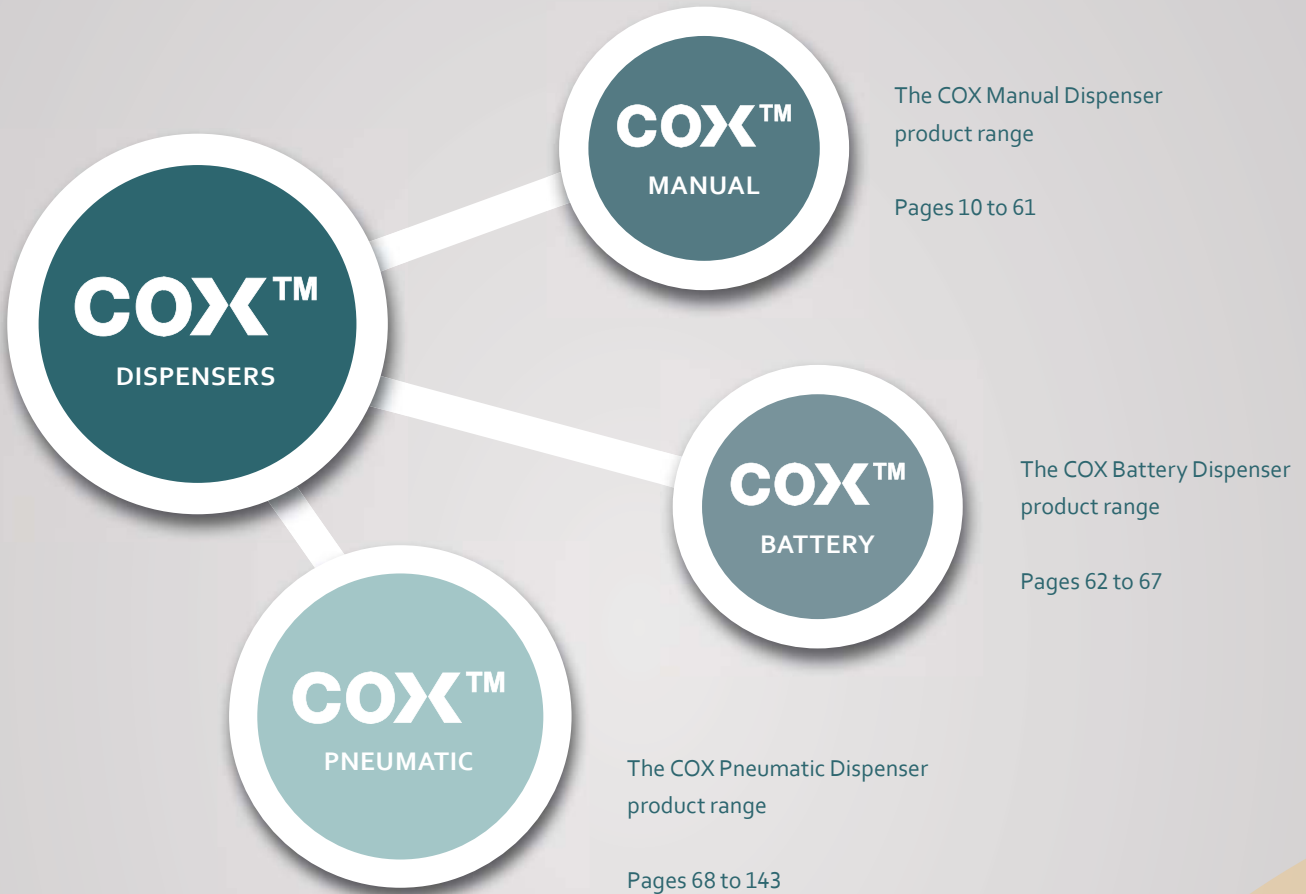


2-COMPONENT DISPENSERS

 medmix

INDUSTRY 

# COX™ SYSTEM OVERVIEW



All of our COX™ dispensers may be recognized by their well-known unique and pleasing visual appearances.



## 2-COMPONENT DISPENSERS

# PRODUCT RANGES

## PROFESSIONAL DISPENSING FOR ALL APPLICATIONS

	Name/ Description	Cartridge/ Sachet	Cartridge / Sachet Capacity	Cartridge Ratio	Maximum Thrust	Mechanical Advantage Ratio	Material Viscosity	Pages
<b>Manual Dispensers</b>								
	CBM 25	cartridge	50 mL (1.8 oz)	1:1	2.5 kN	12:1	medium	10–11
	MR 50	cartridge	50 mL (1.8 oz)	1:1, 2:1, 4:1, 10:1	2.5 kN	12:1	low/medium	12–13
	MPD	cartridge	50 mL (1.8 oz)	1:1, 2:1, 4:1, 10:1	3.5 kN	16:1	medium/high	14–15
	CCM 310	cartridge	150 mL (5.3 oz) 220 mL (7.7 oz) 300 mL (10.6 oz) 330 mL (11.6 oz)	1:1, 10:1	3.5 kN	18:1	medium/high	16–17
	CCM 310X	cartridge	150 mL (5.3 oz) 220 mL (7.7 oz) 300 mL (10.6 oz) 330 mL (11.6 oz)	1:1, 10:1	4.5 kN	25:1	high	18–19
	CCM 380	cartridge	380 mL (13.4 oz)	1:1, 2:1, 5:1, 10:1	3.5 kN	18:1	medium/high	20–21
	PPM 75	cartridge	150 mL (5.3 oz)	1:1	3.5 kN	18:1	medium/high	22–23
	PPM 150	cartridge	225 mL (7.9 oz) 300 mL (10.5 oz)	1:1, 2:1	3.5 kN	18:1	medium/high	24–25
	PPM 300 LV MR	cartridge	375 mL (13.2 oz) 450 mL (15.8 oz) 600 mL (21.1 oz)	1:1, 2:1, 4:1	2.5 kN	12:1	low/medium	26–27
	PPM 300X	cartridge	450 mL (15.8 oz) 600 mL (21.1 oz)	1:1, 2:1	4.5 kN	25:1	high	28–29
	PPM 600X	cartridge	750 mL (25.4 oz) 900 mL (31.7 oz) 1200 mL (40.6 oz)	1:1, 2:1, 4:1	4.5 kN	25:1	high	30–31
	PPM 750X	cartridge	825 mL (29.0 oz)	10:1	4.5 kN	25:1	high	32–33
	PPM 1500X	cartridge	1500 mL (52.8 oz)	1:1	4.5 kN	25:1	high	34–35






	Name/ Description	Cartridge/ Sachet	Cartridge / Sachet Capacity	Cartridge Ratio	Maximum Thrust	Mechanical Advantage Ratio	Material Viscosity	Pages
	<b>CBM 310S</b>	sachet	2×310 mL 620 mL (21.7 oz)	1:1	3.5 kN	18:1	low/medium	36–37
	<b>CBM 310XC</b>	cartridge	2×310 mL 620 mL (21.7 oz)	1:1	4.5 kN	25:1	medium/high	38–39
	<b>CBM 310CP X</b>	cartridge	2×310 mL 620 mL (21.7 oz)	1:1	4.5 kN	25:1	medium/high	40–41
	<b>RBM 100</b>	cartridge	200 mL (7.0 oz)	1:1	3.5 kN	18:1	medium/high	42–43
	<b>RBM 385X</b>	cartridge	385 mL (13.6 oz)	3:1	4.5 kN	25:1	high	44–45
	<b>RBM 585X</b>	cartridge	585 mL (20.6 oz)	3:1	4.5 kN	25:1	high	46–47
	<b>VBM 100</b>	cartridge	200 mL (7.0 oz)	1:1	3.5 kN	18:1	low/medium	48–49
	<b>VBM 200 MR</b>	cartridge	200 mL (7.0 oz)	1:1, 2:1, 4:1, 10:1	3.5 kN	18:1	medium/high	50–51
	<b>VBM 200X MR</b>	cartridge	200 mL (7.0 oz)	1:1, 2:1, 4:1, 10:1	4.5 kN	25:1	high	52–53
	<b>VBM 200</b>	cartridge	400 mL (14.1 oz)	1:1	3.5 kN	18:1	low/medium	54–55
	<b>VBM 200X</b>	cartridge	400 mL (14.1 oz)	1:1	4.5 kN	25:1	high	56–57
	<b>VBM 400 MR</b>	cartridge	400 mL (14.1 oz)	1:1, 2:1, 4:1, 10:1	3.5 kN	18:1	medium/high	58–59
	<b>VBM 400X MR</b>	cartridge	400 mL (14.1 oz)	1:1, 2:1, 4:1, 10:1	4.5 kN	25:1	high	60–61

## 2-COMPONENT DISPENSERS

# PRODUCT RANGES

## SMART DISPENSING FOR ALL APPLICATIONS

Name/ Description	Cartridge / Sachet Capacity	Cartridge Ratio	Maximum Thrust	Voltage	Material Viscosity	Pages	
<b>Battery Dispensers</b>							
	<b>EasiPower™ Plus CBE R50</b>	50 mL (14 oz)	1:1, 2:1, 4:1, 10:1	1.3 kN	10.8 V	low/medium	62–63
	<b>ElectraFlow™ Dual Ultra 400 MR</b>	400 mL (14 oz)	1:1, 2:1, 4:1, 10:1	5 kN	18 V	medium/high	64–65
	<b>ElectraFlow™ Dual Ultra 600 1:1</b>	600 mL (21 oz)	1:1	5 kN	18 V	medium/high	66–67

## 2-COMPONENT DISPENSERS

# PRODUCT RANGES

## PROFESSIONAL DISPENSING FOR ALL APPLICATIONS

Name/ Description	Cartridge/ Sachet	Cartridge / Sachet Capacity	Cartridge Ratio	Maximum Thrust	Pneumatic Pressure	Material Viscosity	Pages	
<b>Pneumatic Dispensers</b>								
	AirFlow™ 1 CBA 25	cartridge	50 mL (1.7 oz)	1:1	1.5 kN	5.0 bar / 75 psi	low	68–69
	AirFlow™ 1 CBA R50	cartridge	50 mL (1.7 oz)	1:1, 2:1	1.5 kN	3.4 bar / 50 psi	low	70–71
	AirFlow™ 1 CBA S50	cartridge	50 mL (1.7 oz)	10:1	1.5 kN	3.4 bar / 50 psi	low	72–73
	AirFlow™ 2 CBA R50	cartridge	50 mL (1.7 oz)	1:1, 2:1	1.5 kN	3.4 bar / 50 psi	low	74–75
	AirFlow™ 2 CBA S50	cartridge	50 mL (1.7 oz)	1:1, 2:1	1.5 kN	3.4 bar / 50 psi	low	76–77
	AirFlow™ 1 CBA 200C	cartridge	400 mL (14 oz)	1:1	5 kN	6.8 bar / 100 psi	medium/high	78–79
	AirFlow™ 1 CBA 310C	cartridge	620 mL (21.8 oz)	1:1	5 kN	6.8 bar / 100 psi	medium/high	80–81
	AirFlow™ 1 CBA 310S	sachet	2×310 mL (21.8 oz)	1:1	5.25 kN	6.8 bar / 100 psi	medium/high	82–83
	AirFlow™ 1 CBA 600S	sachet	1200 mL (42.2 oz)	1:1	5.25 kN	6.8 bar / 100 psi	medium/high	84–85
	AirFlow™ 1 CBA 330B	cartridge	330 mL (11.6 oz) 345 mL (12.1 oz) 350 mL (12.3 oz)	10:1	2.2 kN	6.8 bar / 100 psi	low/medium	86–87
	AirFlow™ 1 CCA 380B	cartridge	380 mL (13.4 oz)	5:1, 10:1	2.5 kN	6.8 bar / 100 psi	medium/high	88–89
	AirFlow™ 3 CCA 380A	cartridge	380 mL (13.4 oz)	1:1, 10:1	5 kN	6.8 bar / 100 psi	medium/high	90–91
	AirFlow™ 1 CCA 380A	cartridge	380 mL (13.4 oz)	1:1, 5:1, 10:1	5.25 kN	6.8 bar / 100 psi	medium/high	92–93

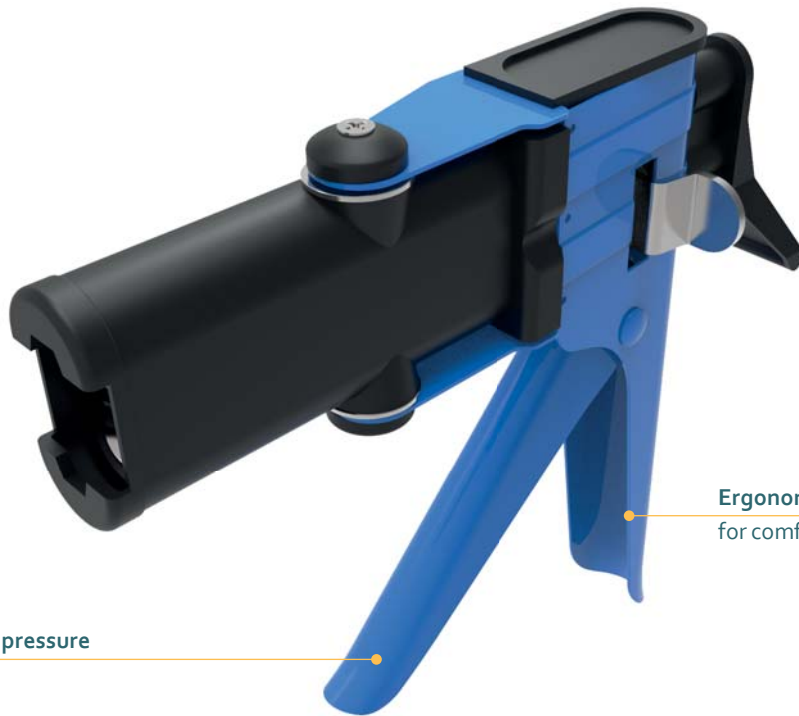
	Name/ Description	Cartridge/ Sachet	Cartridge / Sachet Capacity	Cartridge Ratio	Maximum Thrust	Pneumatic Pressure	Material Viscosity	Pages
	AirFlow™ 1 PPA 75 HP	cartridge	150 mL (5.3 oz)	1:1	2.2 kN	6.8 bar / 100 psi	low/medium	94–95
	AirFlow™ 1 PPA 150 HP	cartridge	300 mL (10.5 oz)	1:1	2.2 kN	6.8 bar / 100 psi	low/medium	96–97
	AirFlow™ 3 PPA 150B MR	cartridge	300 mL (10.5 oz)	1:1, 2:1	2.2 kN	6.8 bar / 100 psi	low/medium	98–99
	AirFlow™ 1 PPA 300B	cartridge	375 mL (13.2 oz) 450 mL (15.8 oz) 600 mL (21.1 oz)	1:1, 2:1, 4:1	2.2 kN	6.8 bar / 100 psi	low/medium	100–101
	AirFlow™ 1 PPA 300A	cartridge	375 mL (13.2 oz) 450 mL (15.8 oz) 600 mL (21.1 oz)	1:1, 2:1, 4:1	5 kN	6.8 bar / 100 psi	medium/high	102–103
	AirFlow™ 3 PPA 300A	cartridge	450 mL (15.8 oz) 600 mL (21.1 oz)	1:1, 2:1	5 kN	6.8 bar / 100 psi	medium/high	104–105
	AirFlow™ 1 PPA 600A	cartridge	750 mL (26.4 oz) 900 mL (31.7 oz) 1200 mL (40.6 oz)	1:1, 2:1, 4:1	5 kN	6.8 bar / 100 psi	medium/high	106–107
	AirFlow™ 1 PPA 1500	cartridge	825 mL (29 oz) 1500 mL (52.7 oz)	1:1, 10:1	5 kN	6.8 bar / 100 psi	medium/high	108–109
	AirFlow™ 1 RBA 100 HP	cartridge	220 mL (7.7 oz)	1:1	2.2 kN	6.8 bar / 100 psi	low/medium	110–111
	AirFlow™ 1 RBA 200B	cartridge	400 mL (14 oz)	1:1	2.2 kN	6.8 bar / 100 psi	low/medium	112–113
	AirFlow™ 3 RBA 200B	cartridge	400 mL (14 oz)	1:1	2.2 kN	6.8 bar / 100 psi	low/medium	114–115
	AirFlow™ 1 RBA 300B	cartridge	600 mL (21 oz) 620 mL (21.8 oz)	1:1	2.2 kN	6.8 bar / 100 psi	low/medium	116–117
	AirFlow™ 3 RBA 300B	cartridge	600 mL (21 oz) 620 mL (21.8 oz)	1:1	2.2 kN	6.8 bar / 100 psi	low/medium	118–119

	Name/ Description	Cartridge/ Sachet	Cartridge / Sachet Capacity	Cartridge Ratio	Maximum Thrust	Pneumatic Pressure	Material Viscosity	Pages
	AirFlow™ 3 RBA 385	cartridge	365 mL (12.8 oz) 385 mL (13.5 oz)	13:1	5 kN	6.8 bar / 100 psi	low/medium	120–121
	AirFlow™ 3 RBA 585	cartridge	365 mL (12.8 oz) 385 mL (13.5 oz) 585 mL (20.5 oz) 600 mL (21 oz)	3:1	5 kN	6.8 bar / 100 psi	low/medium	122–123
	AirFlow™ 1 VBA 100 LP	cartridge	200 mL (7 oz)	1:1	1.4 kN	6.8 bar / 100 psi	low/medium	124–125
	AirFlow™ 1 VBA 100 HP	cartridge	200 mL (7 oz)	1:1	2.2 kN	6.8 bar / 100 psi	low/medium	126–127
	AirFlow™ 3 VBA 100 HP	cartridge	200 mL (7 oz)	1:1	2.2 kN	6.8 bar / 100 psi	low/medium	128–129
	AirFlow™ 1 VBA 200B MR	cartridge	200 mL (7 oz)	1:1, 2:1, 4:1, 10:1	2.2 kN	6.8 bar / 100 psi	low/medium	130–131
	AirFlow™ 3 VBA 200B MR	cartridge	200 mL (7 oz)	1:1, 2:1, 4:1, 10:1	2.2 kN	6.8 bar / 100 psi	low/medium	132–133
	AirFlow™ 1 VBA 200A MR	cartridge	200 mL (7 oz)	1:1, 2:1, 4:1, 10:1	5 kN	6.8 bar / 100 psi	low/medium	134–135
	AirFlow™ 1 VBA 200B	cartridge	400 mL (14 oz)	1:1	2.2 kN	6.8 bar / 100 psi	low/medium	136–137
	AirFlow™ 1 VBA 200A	cartridge	400 mL (14 oz)	1:1	5 kN	6.8 bar / 100 psi	medium/high	138–139
	AirFlow™ 1 VBA 400B MR	cartridge	400 mL (14 oz)	1:1, 2:1, 4:1, 10:1	2.2 kN	6.8 bar / 100 psi	low/medium	140–141
	AirFlow™ 1 VBA 400A MR	cartridge	400 mL (14 oz)	1:1, 2:1, 4:1, 10:1	5 kN	6.8 bar / 100 psi	low/medium	142–143



# CBM 25

## 50 ML CARTRIDGE DISPENSER



Ergonomic handle and trigger provide for comfort and minimum fatigue

Minimum trigger pressure for effortless use

Model shown: CBM 25 50 mL

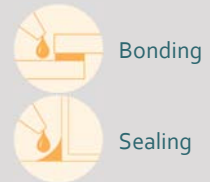
### FEATURES

- Simple breech loading mechanism
- Compact design
- Customization possible

### BENEFITS

- Full cartridge support
- Light and maneuverable
- Customer labelling

### APPLICATIONS



### PRODUCT BY RANGE



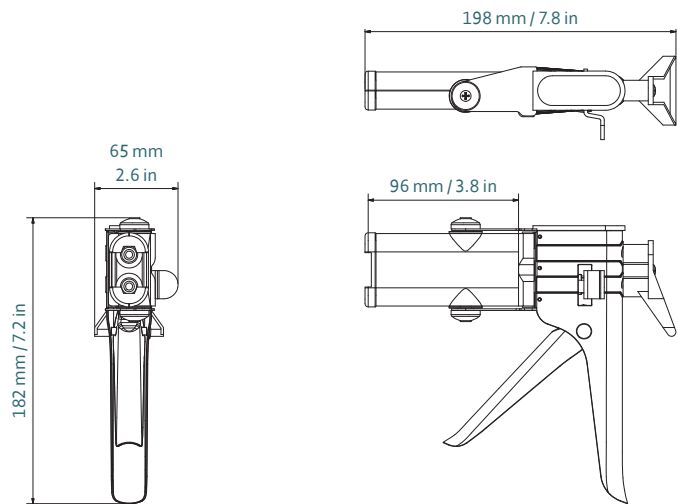
CBM 25

# THE CBM 25 IS A 2-COMPONENT MANUAL DISPENSER, ITS COMPACT LIGHTWEIGHT DESIGN COMES WITH AN EASY LOADING BREECH GIVING YOU FULL CARTRIDGE SUPPORT.

## SPECIFICATIONS

- Weight: 0.43 kg / 0.9 lbs
- Frame Length: 96 mm / 3.8 inch
- Maximum Thrust: 2.5 kN
- Handle Material: Epoxy Coated Steel
- Frame Material:  
Glass Fiber Reinforced Nylon
- Tool Component Approvals: REACH
- Cartridge Capacity: 50 mL (1.7 oz)
- Cartridge Ratio: 1:1
- Mechanical Advantage Ratio: 12:1
- Viscosity: Medium
- Standard Color: Black/Blue
- Customized versions: Yes

## DIMENSIONS



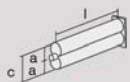
Part number	Article number	Packaging
DM2C 50-01-r12-001	159896 / M 25 (US)	25 per Box

## MATCHING MIXPAC™ SIDE-BY-SIDE CARTRIDGES



**A-System/B-System**  
50 mL / 1:1 PP/PA

## COMPATIBLE SIDE-BY-SIDE CARTRIDGES



**Plastic Cartridge**  
50 mL / 1:1 PP/PBT

1:1	mm	inch
l	99.7	3.93
a	Ø 21.0	Ø 0.83
c	46.0	1.81

## CONVERSION KITS

## MATCHING ACCESSORIES

# MR 50

## 50 ML CARTRIDGE DISPENSER

Simple breech loading mechanism ensures cartridges are held securely



Ergonomic handle and trigger provide for comfort and minimum fatigue

Minimum trigger pressure for effortless use

Model shown: MR 50 50 mL

### FEATURES

- Cartridge flexibility
- One singular dispenser
- Engineered to provide high thrust
- Simple breech loading mechanism
- Customization possible

### BENEFITS

- Holds s-type, rectangular base cartridges and round back
- For 50, 75 mL cartridges
- Easy comfortable operation
- Ensures cartridges are held securely
- Customer labelling

### APPLICATIONS



Bonding

### PRODUCT BY RANGE



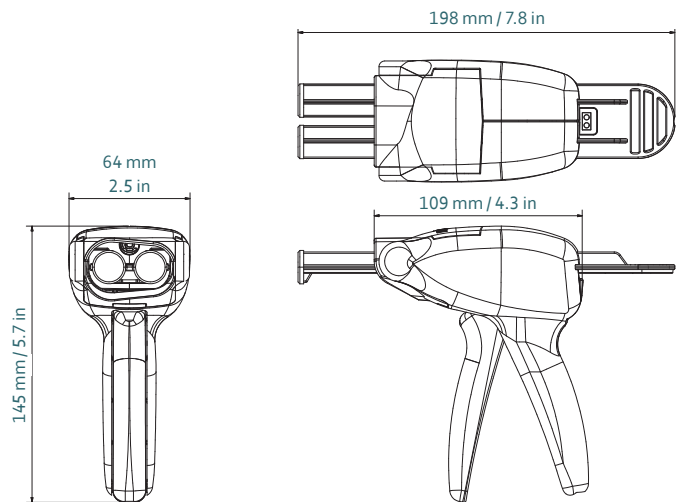
MR 50

# THE MR 50 2-COMPONENT MANUAL DISPENSER IS CUSTOMISED FOR USE WITH BOTH RECTANGULAR BASE AND ROUND BACK 50/75 ML CARTRIDGES GIVING YOU FULL FLEXIBILITY.

## SPECIFICATIONS

- Lightweight: 0.24 kg / 0.5 lbs
- Frame Length: 109 mm / 4.3 in
- Maximum Thrust: 2.5 kN
- Handle Material:  
Glass Fiber Reinforced Nylon
- Frame Material:  
Glass Fiber Reinforced Nylon
- Tool Component Approvals: REACH
- Cartridge Capacity: 50 mL (1.7 oz),  
75 mL (2.6 oz) (Rectangular base)
- Cartridge Ratio: 1:1, 2:1, 4:1, 10:1  
(S-type + Rectangular flange)
- Mechanical Advantage Ratio: 12:1
- Viscosity: Low/Medium
- Standard Color: Grey/Blue
- Customized Versions: Yes

## DIMENSIONS



Part number	Article number	Packaging
DM2C S50-MR-r13-001	181230 S-type (1:1, 2:1, 4:1, 10:1)	20 per box / MR25 (US) S-type
DM2C 050-MR-r13-001	181240 Rectangular flange (1:1, 2:1, 4:1, 10:1)	20 per box

## MATCHING MIXPAC™ SIDE-BY-SIDE CARTRIDGES



A/B and BS-System Cartridge  
50 mL / 1:1 PP/PA



A/B and BS-System Cartridge  
50 mL / 2:1 PP/PA

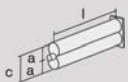


A/B and BS-System Cartridge  
50 mL / 4:1 PP/PA



B and BS-System Cartridge  
50 mL / 10:1 PP/PA/PBT

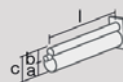
## COMPATIBLE SIDE-BY-SIDE CARTRIDGES



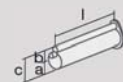
Rectangular Flange Cartridge  
50 mL / 1:1 PP/PBT



Rectangular Flange Cartridge  
50 mL / 2:1 PP/PBT



Rectangular Flange Cartridge  
50 mL / 4:1 PP/PBT



Round Flange Cartridge  
50 mL / 10:1 PP/PBT

1:1	mm	inch
l	99.7	3.93
a	Ø 21.0	Ø 0.83
c	46.0	1.81

2:1	mm	inch
l	108.5	4.27
a	Ø 25.0	Ø 0.89
b	Ø 18.0	Ø 0.71
c	46.0	1.81

4:1	mm	inch
l	108.5	4.27
a	Ø 25.0	Ø 0.89
b	Ø 13.0	Ø 0.51
c	46.0	1.81

10:1	mm	inch
l	102.0	4.02
a	Ø 30.0	Ø 1.18
b	Ø 10.8	Ø 0.43
c	44.0	1.73

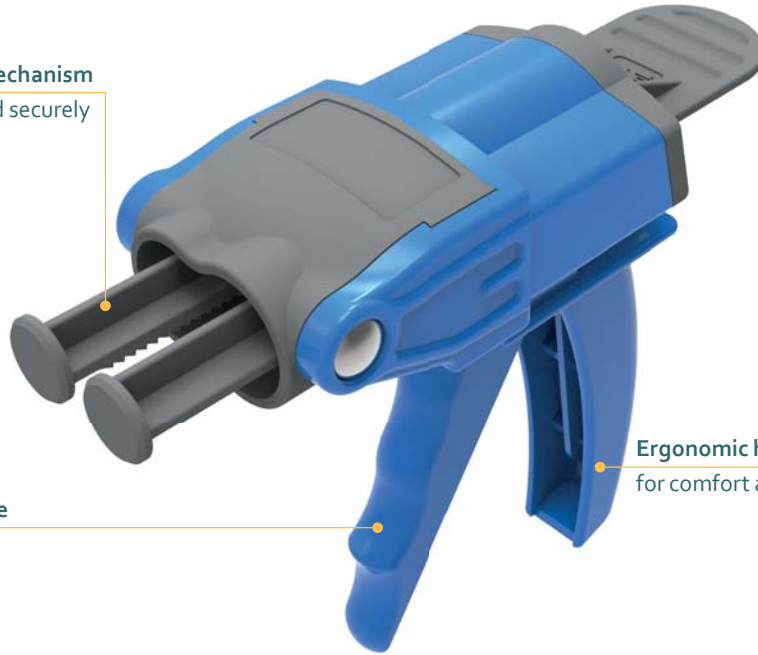
## CONVERSION KITS

## MATCHING ACCESSORIES

# MPD

## 50 ML CARTRIDGE DISPENSER

Simple breech loading mechanism ensures cartridges are held securely



Minimum trigger pressure for effortless use

Ergonomic handle and trigger provide for comfort and minimum fatigue

Model shown: MPD 50 mL

### FEATURES

- Engineered to provide high thrust
- Simple breech loading mechanism
- Customization possible

### BENEFITS

- Easy comfortable operation
- Ensures cartridges are held securely
- Customer labelling

### APPLICATIONS



Bonding

### PRODUCT BY RANGE



MPD

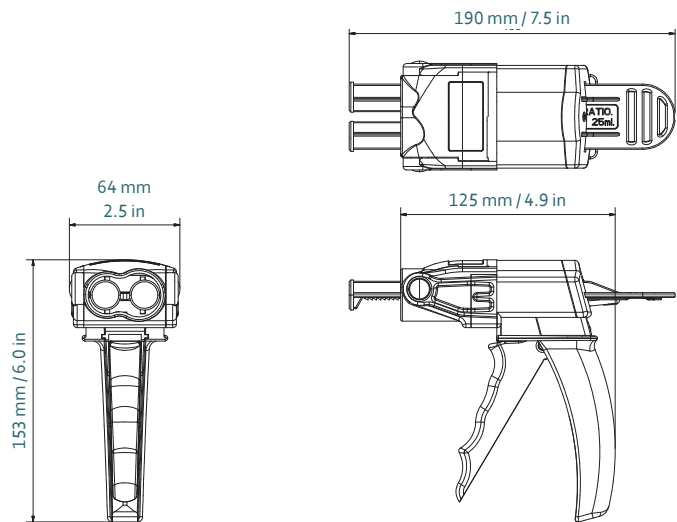


# THE MPD HAS BEEN ENGINEERED TO PROVIDE HIGH THRUST FOR MAXIMUM OPERATION, THE LIGHTWEIGHT COMPACT DESIGN HAS AN SIMPLE LOADING BREECH GIVING YOU FULL CARTRIDGE SUPPORT FOR EFFORTLESS DISPENSING.

## SPECIFICATIONS

- Weight: 0.2 kg / 0.4 lbs
- Frame Length: 125 mm / 4.9 in
- Maximum Thrust: 3.5 kN
- Handle Material: Plastic
- Frame Material: Plastic
- Tool Component Approvals: REACH
- Cartridge Capacity: 50 mL (1.7 oz)
- Cartridge Ratio: 1:1, 2:1, 4:1, 10:1
- Mechanical Advantage Ratio: 16:1
- Viscosity: Medium/High
- Standard Color: Grey/Blue
- Customized Versions: Yes

## DIMENSIONS



Part number	Article number	Packaging
DM2C 050-01-r16-001	178308 (1:1) / MPD-1 (US)	50 per Box
DM2C 050-04-r16-001	178310 (4:1) / MPD-3 (US)	50 per Box
DM2C 050-MR-r16-001	178315 (1:1, 2:1, 4:1, 10:1) / MP25 (US) multi-ratio	50 per Box

## MATCHING MIXPAC™ SIDE-BY-SIDE CARTRIDGES

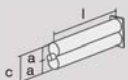


**A-System Cartridge**  
50 mL 1:1, 2:1, 4:1, 10:1 / PP/PA

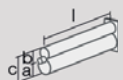


**B-System Cartridge**  
50 mL 1:1, 2:1, 4:1 / PP/PA

## COMPATIBLE SIDE-BY-SIDE CARTRIDGES



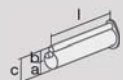
**Rectangular Flange Cartridge**  
50 mL / 1:1 PP/PBT



**Rectangular Flange Cartridge**  
50 mL / 2:1 PP/PBT



**Rectangular Flange Cartridge**  
50 mL / 4:1 PP/PBT



**Rectangular Flange Cartridge**  
50 mL / 10:1 PP/PBT

1:1	mm	inch
l	99.7	3.93
a	Ø 21.0	Ø 0.83
c	46.0	1.81

2:1	mm	inch
l	108.5	4.27
a	Ø 25.0	Ø 0.89
b	Ø 18.0	Ø 0.71
c	46.0	1.81

4:1	mm	inch
l	108.5	4.27
a	Ø 25.0	Ø 0.89
b	Ø 13.0	Ø 0.51
c	46.0	1.81

10:1	mm	inch
l	102.0	4.02
a	Ø 30.0	Ø 1.18
b	Ø 10.8	Ø 0.43
c	44.0	1.73

## CONVERSION KITS

## MATCHING ACCESSORIES

# CCM 310

## 150/300/330 ML CARTRIDGE DISPENSER



Model shown: CCM 310

### FEATURES

- High power 18:1 mechanism
- Reduced risk of fatigue
- Compact coaxial frame
- Robust steel frame
- Snap fit cartridge strap
- Customization possible

### BENEFITS

- Less force required
- Increased productivity
- Higher volume for repetitive applications
- Locates cartridges securely to maintain ratios
- For optimal cartridge support
- Customer labelling

### APPLICATIONS

-  Bonding
-  Sealing
-  Water Proofing

### PRODUCT BY RANGE

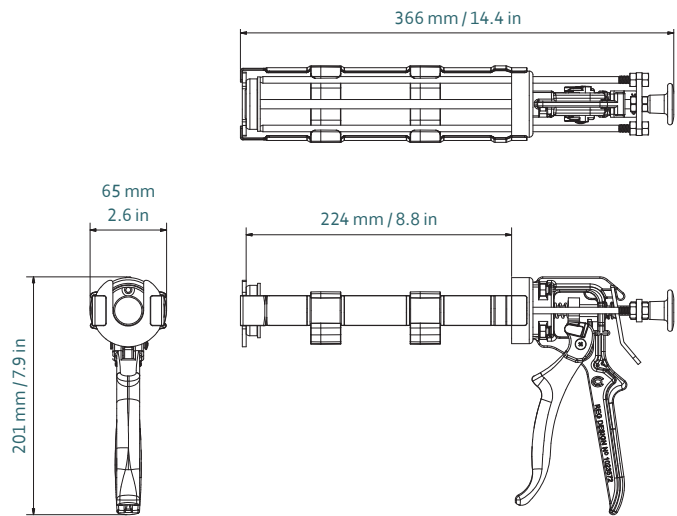


# THE CCM 310 IS A 2-COMPONENT MANUAL DISPENSER, ITS HIGH-POWERED 18:1 MECHANISM AND COMPACT COAXIAL FRAME ALLOWS FOR HIGHER VOLUME AND REPETITIVE APPLICATIONS.

## SPECIFICATIONS

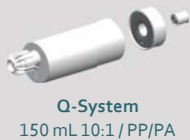
- Weight: 0.88 kg / 1.9 lbs
- Frame Length: 224 mm / 8.8 in
- Maximum Thrust: 3.5 kN
- Handle Material: Epoxy Coated Aluminum
- Frame Material: Epoxy Coated Steel
- Tool Component Approvals: REACH
- Cartridge Capacity: 150 mL (5.2 oz), 300 mL (10.5 oz), 330 mL (11.6 oz)
- Cartridge Ratio: 1:1, 10:1
- Mechanical Advantage Ratio: 18:1
- Viscosity: Medium/High
- Standard Color: Black/Blue
- Customized versions: Yes

## DIMENSIONS

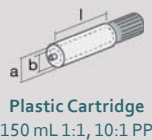


Part number	Article number	Packaging
DM2C 310-01-r18-001	178070 (1:1)	10 per Box
DM2C 310-10-r18-001	178067 (10:1)	10 per Box

## MATCHING MIXPAC™ COAXIAL CARTRIDGES



## COMPATIBLE COAXIAL CARTRIDGES



	mm	inch
l	218.0	8.58
a	∅ 50.0	∅ 1.97
b	∅ 81.8	∅ 1.25

	mm	inch
l	218.0	8.58
a	∅ 50.0	∅ 1.97
b	∅ 14.2	∅ 0.5

	mm	inch
l	117	4.6
a	∅ 50.0	∅ 1.9
1:1 b	∅ 32.0	∅ 1.2
10:1 b	∅ 14.3	∅ 0.5

## CONVERSION KITS

## MATCHING ACCESSORIES

# CCM 310X

## 150/300/330 ML CARTRIDGE DISPENSER



Model shown: CCM 310X




### FEATURES

- High power 25:1 mechanism
- Reduced risk of fatigue
- Compact coaxial frame
- Robust steel frame
- Snap fit cartridge strap
- Customization possible

### BENEFITS

- Less force required, work comfortably for longer
- Increased productivity
- Higher volume for repetitive applications
- Locates cartridges securely to maintain ratios
- For optimal cartridge support
- Customer labelling

### APPLICATIONS

-  Bonding
-  Sealing
-  Water Proofing

### PRODUCT BY RANGE

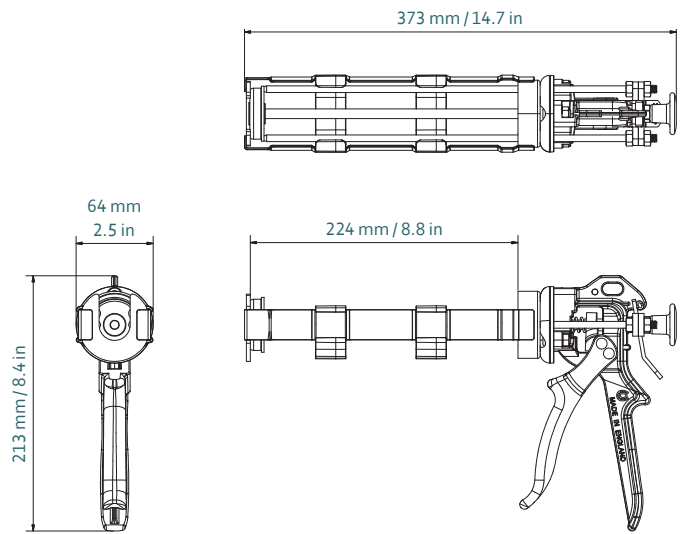


# THE CCM 310X IS A 2-COMPONENT MANUAL DISPENSER, ITS HIGH-POWERED 25:1 MECHANISM AND COMPACT COAXIAL FRAME ALLOWS FOR HIGHER VOLUME AND REPETITIVE APPLICATIONS.

## SPECIFICATIONS

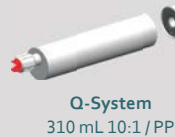
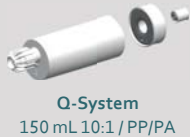
- Lightweight: 1.1 kg / 2.3 lbs
- Frame Length: 224 mm / 8.8 in
- Maximum Thrust: 4.5 kN
- Handle Material: Epoxy Coated Aluminum
- Frame Material: Epoxy Coated Steel
- Tool Component Approvals: REACH
- Cartridge Capacity: 150 mL (5.2 oz), 300 mL (10.5 oz), 330 mL (11.6 oz)
- Cartridge Ratio: 1:1, 10:1
- Mechanical Advantage Ratio: 25:1
- Viscosity: High
- Standard Color: Black/Blue
- Customized Versions: Yes

## DIMENSIONS

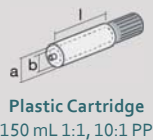


Part number	Article number	Packaging
DM2C 310-01-r25-001	178072 (1:1)	6 per Box
DM2C 310-10-r25-001	178075 (10:1)	5 per Box

## MATCHING MIXPAC™ COAXIAL CARTRIDGES



## COMPATIBLE COAXIAL CARTRIDGES



	mm	inch
l	117	4.6
a	∅ 50.0	∅ 1.9
1:1	b	∅ 32.0 ∅ 1.2
10:1	b	∅ 14.3 ∅ 0.5

	mm	inch
l	218.0	8.58
a	∅ 50.0	∅ 1.97
b	∅ 81.8	∅ 1.25

## CONVERSION KITS

## MATCHING ACCESSORIES



# CCM 380

## 380 ML CARTRIDGE DISPENSER

Epoxy coated steel frame  
for efficient dispensing



Epoxy coated aluminum handle  
ergonomically design for comfort

Minimum trigger pressure  
for effortless use

Model shown: CCM 380

### FEATURES

- High power 18:1 mechanism
- Reduced risk of fatigue
- Compact coaxial frame
- Robust steel frame
- Customization possible

### BENEFITS

- Less force required
- Increased productivity
- Higher volume for repetitive applications
- Locates cartridges securely to maintain ratios
- Customer labelling

### APPLICATIONS



### PRODUCT BY RANGE

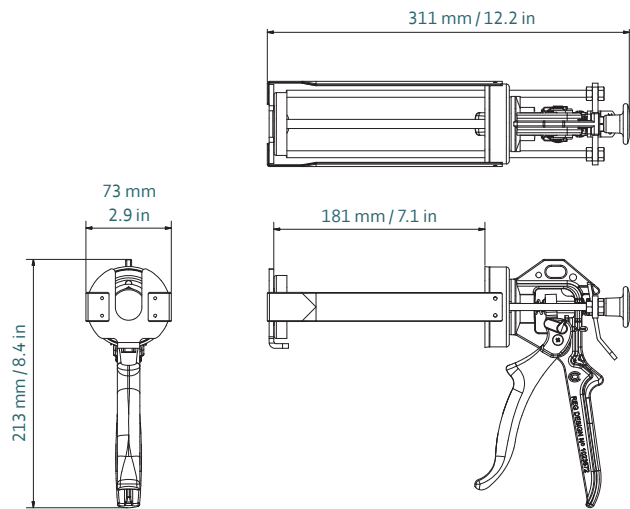


# THE CCM 380 IS A 2-COMPONENT MANUAL DISPENSER, ITS HIGH-POWERED 18:1 MECHANISM AND COMPACT COAXIAL FRAME ALLOWS FOR HIGHER VOLUME AND REPETITIVE APPLICATIONS.

## SPECIFICATIONS

- Lightweight: 1.1 kg / 2.3 lbs
- Frame Length: 181 mm / 7.1 in
- Maximum Thrust: 3.5 kN
- Handle Material: Epoxy Coated Aluminum
- Frame Material: Epoxy Coated Steel
- Tool Component Approvals: REACH
- Cartridge Capacity: 380 mL (13.4 oz)
- Cartridge Ratio: 1:1, 2:1, 5:1, 10:1
- Mechanical Advantage Ratio: 18:1
- Viscosity: Medium/High
- Standard Color: Black/Blue
- Customized versions: Yes

## DIMENSIONS



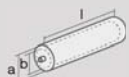
Part number	Article number	Packaging
DM2C 380-01-r18-001	178032 (1:1) / CCM 380-1 (US)	10 per Box
DM2C 380-02-r18-001	178035 (2:1) / CCM 380-2 (US)	10 per Box
DM2C 380-05-r18-001	178037 (5:1) / CCM 380-5 (US)	10 per Box
DM2C 380-10-r18-001	159903 (10:1) / CCM 380-10 (US)	10 per Box

## MATCHING MIXPAC™ COAXIAL CARTRIDGES

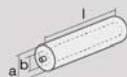


**Q-System Cartridge**  
380 mL 10:1 / PA

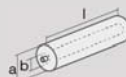
## COMPATIBLE COAXIAL CARTRIDGES



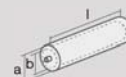
**Plastic Cartridge**  
380 mL 1:1 / PP



**Plastic Cartridge**  
380 mL 2:1 / PP



**Plastic Cartridge**  
380 mL 5:1 / PP



**Plastic Cartridge**  
380 mL 10:1 / PP

	mm	inch
l	183.0	7.2
a	Ø 63.0	Ø 2.4
b	Ø 41.0	Ø 1.6

	mm	inch
l	183.0	7.2
a	Ø 63.0	Ø 2.4
b	Ø 33.5	Ø 1.3

	mm	inch
l	183.0	7.2
a	Ø 63.0	Ø 2.4
b	Ø 25.2	Ø 1.0

	mm	inch
l	183.0	7.2
a	Ø 63.0	Ø 2.4
b	Ø 18.0	Ø 0.7

## CONVERSION KITS

## MATCHING ACCESSORIES

# PPM 75

## 150 ML CARTRIDGE DISPENSER

Epoxy coated steel frame  
for efficient dispensing



Epoxy coated aluminum handle  
ergonomically design for comfort

Minimum trigger pressure  
for effortless use

Model shown: PPM 75 150 mL

### FEATURES

- High quality cast aluminum handle
- Epoxy coated steel frame support
- Sintered alloy catch plate
- Customization possible

### BENEFITS

- For day long comfortable use
- For efficient dispensing
- Wear compensation Device (WCD)
- Customer labelling

### APPLICATIONS



Bonding

Sealing

### PRODUCT BY RANGE



PPM 75

PPM 150

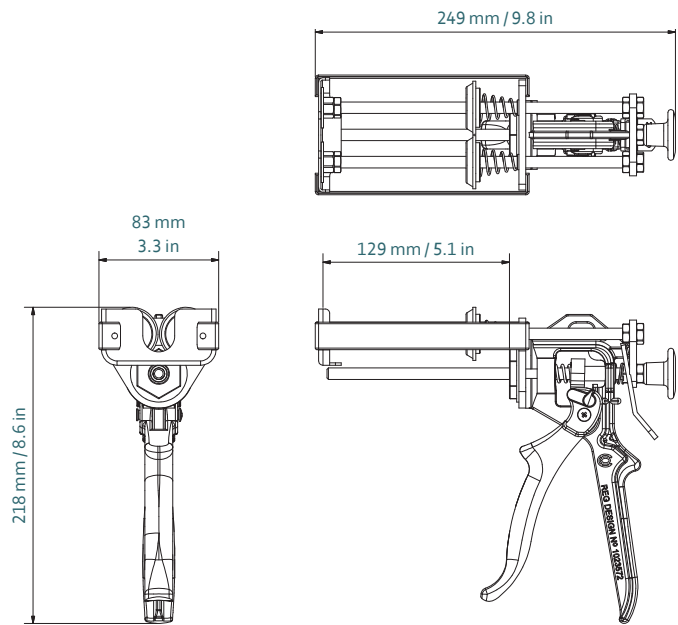
PPM 300 LV MR

# THE PPM 75 2-COMPONENT MANUAL DISPENSER, DESIGNED WITH 18:1 HIGH-POWERED MECHANISM FOR EFFICIENT DISPENSING. WHILE THE WEAR COMPENSATION DEVICE GIVES THE DISPENSER A LONGER LIFE.

## SPECIFICATIONS

- Lightweight: 1.0 kg / 2.2 lbs
- Frame Length: 129 mm / 5.1 in
- Maximum Thrust: 3.5 kN
- Handle Material: Epoxy Coated Aluminum
- Frame Material: Epoxy Coated Steel
- Tool Component Approvals: REACH
- Cartridge Capacity: 150 mL (5.3 oz)
- Cartridge Ratio: 1:1
- Mechanical Advantage Ratio: 18:1
- Viscosity: Medium/High
- Standard Color: Black/Blue
- Customized Versions: Yes

## DIMENSIONS



Part number	Article number	Packaging
DM2C150-01-r18-001	177794 / M75 (US)	10 per Box

## MATCHING MIXPAC™ CARTRIDGES

## COMPATIBLE SIDE-BY-SIDE CARTRIDGES



Plastic Cartridge  
150 mL / 1:1 PP

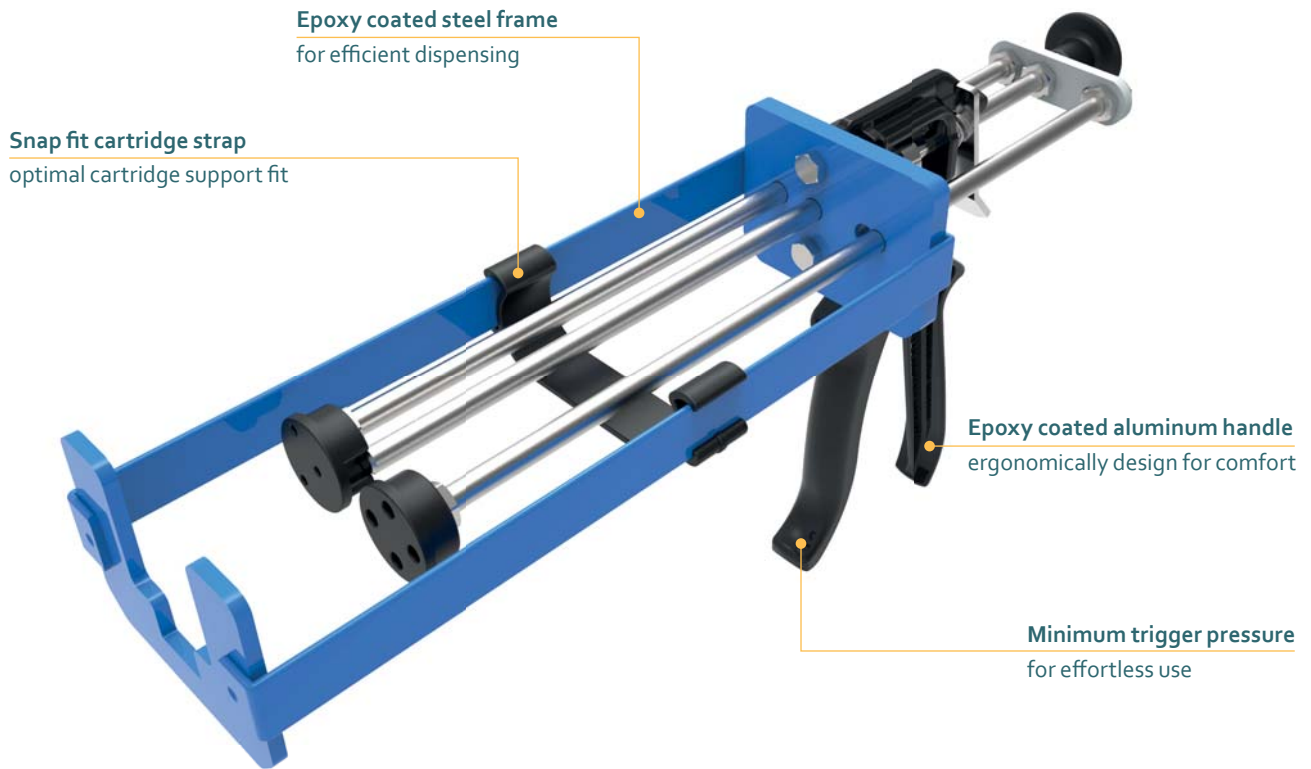
1:1	mm	inch
l	115.0	4.53
a	Ø 37.0	Ø 1.46
c	75.0	2.9

## CONVERSION KITS

## MATCHING ACCESSORIES

# PPM 150

## 300 ML CARTRIDGE DISPENSER



Model shown: PPM 150 300 mL

### FEATURES

- High quality cast aluminum handle
- Epoxy coated steel frame support
- Sintered alloy catch plate
- Snap fit cartridge strap
- Customization possible

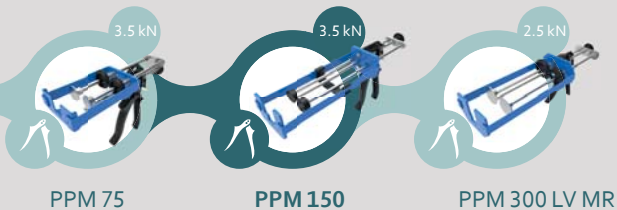
### BENEFITS

- For day long comfortable use
- For efficient dispensing
- Wear compensation device (WCD)
- For optimal cartridge support
- Customer labelling

### APPLICATIONS



### PRODUCT BY RANGE



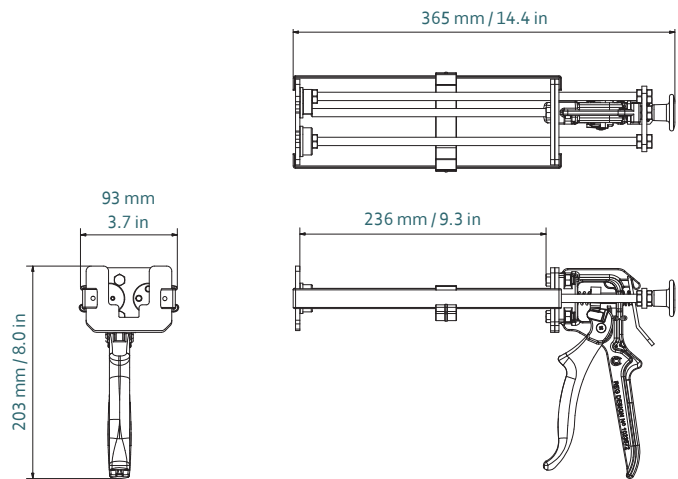


# THE PPM 150 2-COMPONENT MANUAL DISPENSER WITH 18:1 HIGH-POWERED MECHANISM AND SNAP FIT CARTRIDGE STRAPS FOR OPTIMAL CARTRIDGE SUPPORT AND FIT.

## SPECIFICATIONS

- Lightweight: 1.52 kg / 3.3 lbs
- Frame Length: 236 mm / 14.4 in
- Maximum Thrust: 3.5 kN
- Handle Material: epoxy Coated Aluminum
- Frame Material: Epoxy Coated Steel
- Tool Component Approvals: REACH
- Cartridge Capacity: 300 mL (10.5 oz)
- Cartridge Ratio: 1:1, 2:1
- Mechanical Advantage Ratio: 18:1
- Viscosity: Medium/High
- Standard Color: Black/Blue
- Customized Versions: Yes

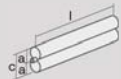
## DIMENSIONS



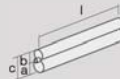
Part number	Article number	Packaging
DM2C 300-01-r18-001	167326 / M150 (US)	1 per Box

## MATCHING MIXPAC™ CARTRIDGES

## COMPATIBLE SIDE-BY-SIDE CARTRIDGES



Plastic Cartridge  
300 mL / 1:1 PP



Plastic Cartridge  
225 mL / 2:1 PP

1:1	mm	inch
l	217	8.54
a	Ø 36.1	Ø 1.42
c	78.20	3.08

2:1	mm	inch
l	217.0	8.54
a	Ø 34.0	Ø 1.34
b	Ø 24.05	Ø 0.95
c	58.05	2.29

## CONVERSION KITS

Conversion kit included

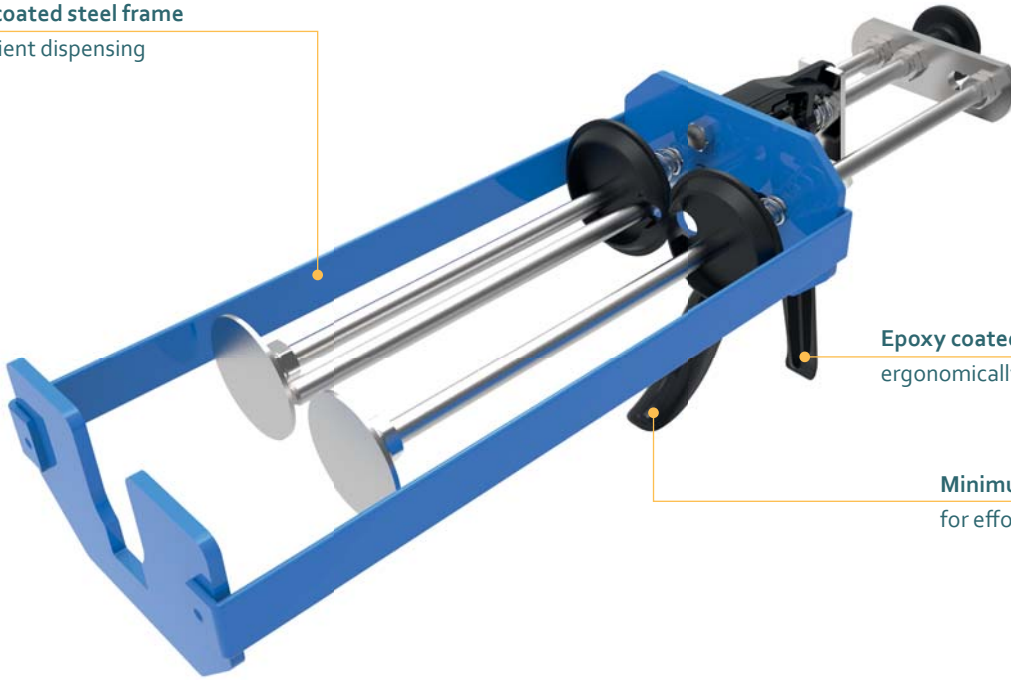
## MATCHING ACCESSORIES

—

# PPM 300 LV MR

## 450/600 ML CARTRIDGE DISPENSER

Epoxy coated steel frame  
for efficient dispensing



Epoxy coated aluminum handle  
ergonomically design for comfort

Minimum trigger pressure  
for effortless use

Model shown: PPM 300 LV MR 600 mL

### FEATURES

- High quality cast aluminum handle
- Epoxy coated steel frame support
- Sintered alloy catch plate
- Customization possible

### BENEFITS

- For day long comfortable use
- For efficient dispensing
- Wear compensation Device (WCD)
- Customer labelling

### APPLICATIONS



Bonding



Crack  
Repair



Sealing



Water  
Proofing



Solid  
Surface

### PRODUCT BY RANGE



PPM 75



PPM 150



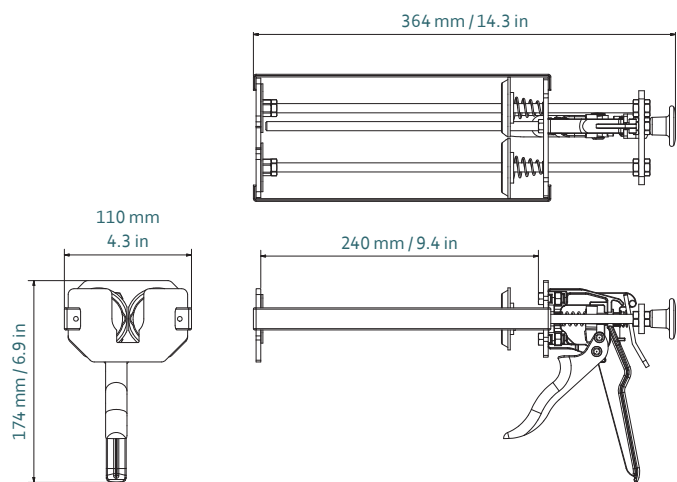
PPM 300 LV MR

# THE PPM 300 LV MR 2-COMPONENT MANUAL DISPENSER OFFERS EFFICIENT DISPENSING WHILE THE WEAR COMPENSATION DEVICE GIVES THE DISPENSER A LONGER LIFE.

## SPECIFICATIONS

- Lightweight: 1.7 kg / 3.7 lbs
- Frame Length: 240 mm / 9.4 in
- Maximum Thrust: 2.5 kN
- Handle Material: Epoxy Coated Aluminum
- Frame Material: Epoxy Coated Steel
- Tool Component Approvals: REACH
- Cartridge Capacity: 450 mL (15.8 oz)
- Cartridge Ratio: 1:1, 2:1
- Mechanical Advantage Ratio: 12:1
- Viscosity: Low/Medium
- Standard Color: Black/Blue
- Customized versions: Yes

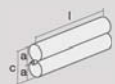
## DIMENSIONS



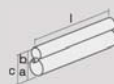
Part number	Article number	Packaging
M300 LV/2 (US)	-	1 per Box
M300 LV (US)	-	1 per Box

## MATCHING MIXPAC™ CARTRIDGES

## COMPATIBLE SIDE-BY-SIDE CARTRIDGES



Plastic Cartridge  
600 mL / 1:1 PP



Plastic Cartridge  
450 mL / 2:1 PP/PA

1:1	mm	inch
l	217	8.54
a	Ø 48.0	Ø 1.89
c	95.5	3.76

2:1	mm	inch
l	215.0	8.46
a	Ø 46.5	Ø 1.83
b	Ø 33.2	Ø 1.31
c	86.0	3.39

## CONVERSION KITS

## MATCHING ACCESSORIES

# PPM 300X

## 375/450/600 ML CARTRIDGE DISPENSER

Epoxy coated steel frame  
for efficient dispensing



Epoxy coated aluminum handle  
ergonomically design for comfort

Minimum trigger pressure  
for effortless use

Model shown: PPM 300X 600 mL

### FEATURES

- High quality cast aluminum handle
- Epoxy coated steel frame support
- Sintered alloy catch plate
- Customization possible

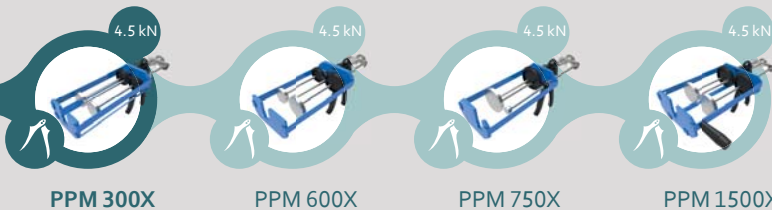
### BENEFITS

- For day long comfortable use
- For efficient dispensing
- Wear compensation device (WCD)
- Customer labelling

### APPLICATIONS



### PRODUCT BY RANGE

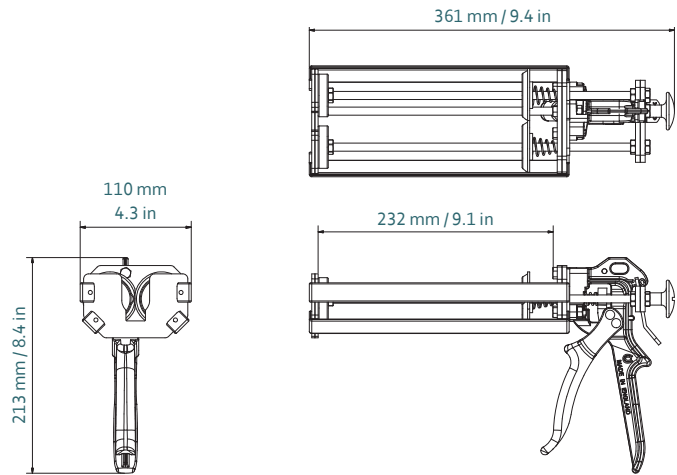


# THE PPM 300X 2-COMPONENT MANUAL DISPENSER HAS A HIGH-POWERED 25:1 MECHANISM DESIGNED FOR USE WITH HIGH VISCOSITY SEALANTS AND ADHESIVES.

## SPECIFICATIONS

- Lightweight: 1.7 kg / 3.7 lbs
- Frame Length: 232 mm / 9.1 in
- Maximum Thrust: 4.5 kN
- Handle Material: Epoxy Coated Aluminum
- Frame Material: Epoxy Coated Steel
- Tool Component Approvals: REACH
- Cartridge Capacity: 375 mL (12.7 oz), 450 mL (15.3 oz), 600 mL (20.3 oz)
- Cartridge Ratio: 1:1, 2:1, 4:1
- Mechanical Advantage Ratio: 25:1
- Viscosity: High
- Standard Color: Black/Blue
- Customized Versions: Yes

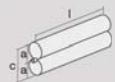
## DIMENSIONS



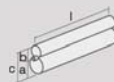
Part number	Article number	Packaging
DM2C 600-MR-r25-001	167327 (multi ratio)	10 per Box

## MATCHING MIXPAC™ CARTRIDGES

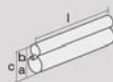
## COMPATIBLE SIDE-BY-SIDE CARTRIDGES



Plastic Cartridge  
600 mL / 1:1 PP



Plastic Cartridge  
450 mL / 2:1 PP/PA



Plastic Cartridge  
375 mL / 4:1 PP

1:1	mm	inch
l	217	8.54
a	Ø 48.0	Ø 1.89
c	95.5	3.76

2:1	mm	inch
l	215.0	8.46
a	Ø 49.5	Ø 1.95
b	Ø 36.2	Ø 1.43
c	86.0	3.39

4:1	mm	inch
l	215.0	8.46
a	Ø 49.3	Ø 1.94
b	Ø 26.7	Ø 1.05
c	76.0	2.99

## CONVERSION KITS

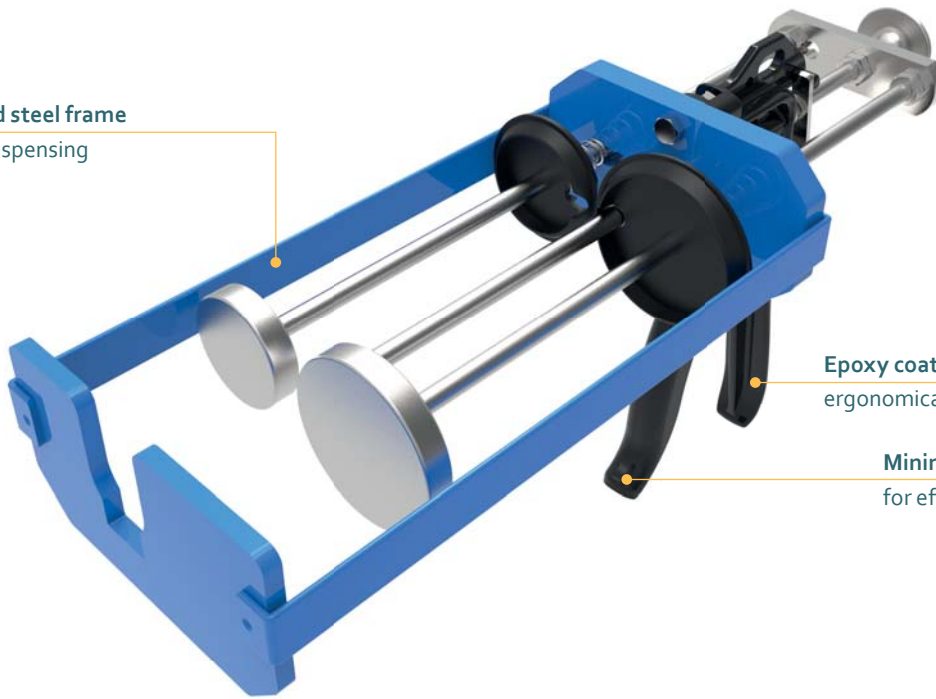
Conversion kit included

## MATCHING ACCESSORIES

# PPM 600X

## 750/900/1200 ML CARTRIDGE DISPENSER

Epoxy coated steel frame  
for efficient dispensing



Epoxy coated aluminum handle  
ergonomically design for comfort

Minimum trigger pressure  
for effortless use

Model shown: PPM 600X 900 mL

### FEATURES

- High quality cast aluminum handle
- Epoxy coated steel frame support
- Sintered alloy catch plate
- Customization possible

### BENEFITS

- For day long comfortable use
- For efficient dispensing
- Wear compensation device (WCD)
- Customization possible

### APPLICATIONS



### PRODUCT BY RANGE

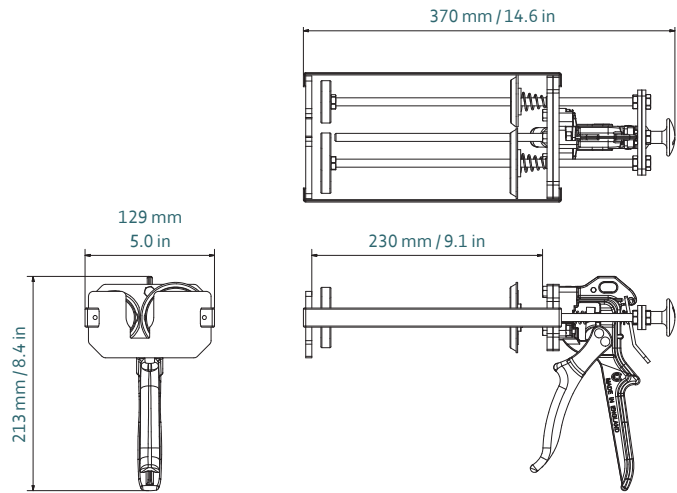


# THE PPM 600X 2-COMPONENT MANUAL DISPENSER HAS A HIGH-POWERED 25:1 MECHANISM WHILE THE WEAR COMPENSATION DEVICE GIVES THE DISPENSER A LONGER LIFE.

## SPECIFICATIONS

- Lightweight: 2.1 kg / 4.8 lbs
- Frame Length: 230 mm / 9.1 in
- Maximum Thrust: 4.5 kN
- Handle Material:  
Epoxy Coated Aluminum
- Frame Material: Epoxy Coated Steel
- Tool Component Approvals: REACH
- Cartridge Capacity: 750 mL (26 oz), 900 mL (31.6 oz), 1200 mL (42 oz)
- Cartridge Ratio: 1:1, 2:1, 4:1
- Mechanical Advantage Ratio: 25:1
- Viscosity: High
- Standard Color: Black/Blue
- Customized Versions: Yes

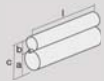
## DIMENSIONS



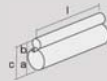
Part number	Article number	Packaging
DM2C1200-01-r25-001	177835 / M600X/1 (US) 1200 mL (1:1)	1 per Box
DM2C1200-02-r25-001	177830 / M600X/2 (US) 900 mL (2:1)	1 per Box
DM2C1200-04-r25-001	177832 / M600X/4 (US) 750 mL (4:1)	1 per Box

## MATCHING MIXPAC™ CARTRIDGES

## COMPATIBLE SIDE-BY-SIDE CARTRIDGES



Plastic Cartridge  
900 mL / 2:1 PP/PA



Plastic Cartridge  
750 mL / 4:1 PP/PA



Plastic Cartridge  
1200 mL / 1:1 PP

2:1	mm	inch
l	215.0	8.46
a	Ø 69.0	Ø 2.72
b	Ø 50.0	Ø 1.97
c	119.0	4.69

4:1	mm	inch
l	217.0	8.54
a	Ø 68.0	Ø 2.68
b	Ø 34.0	Ø 1.34
c	102.0	4.0

1:1	mm	inch
l	217.0	8.54
a	Ø 68.0	Ø 2.68
c	136.0	5.35

## CONVERSION KITS

## MATCHING ACCESSORIES

# PPM 750X

## 825 ML CARTRIDGE DISPENSER

Epoxy coated steel frame  
for efficient dispensing



Epoxy coated aluminum handle  
ergonomically design for comfort

Minimum trigger pressure  
for effortless use

Model shown: PPM 750X 825 mL

### FEATURES

- High quality cast aluminum handle
- Epoxy coated steel frame support
- Sintered alloy catch plate
- Customization possible

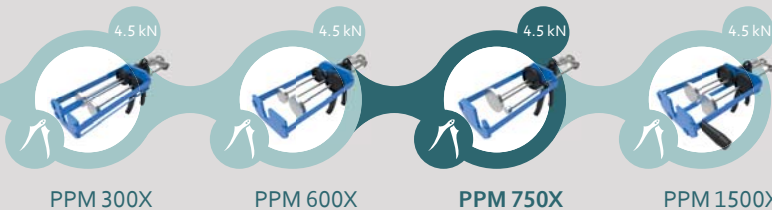
### BENEFITS

- For day long comfortable use
- For efficient dispensing
- Wear compensation device (WCD)
- Customer labelling

### APPLICATIONS



### PRODUCT BY RANGE



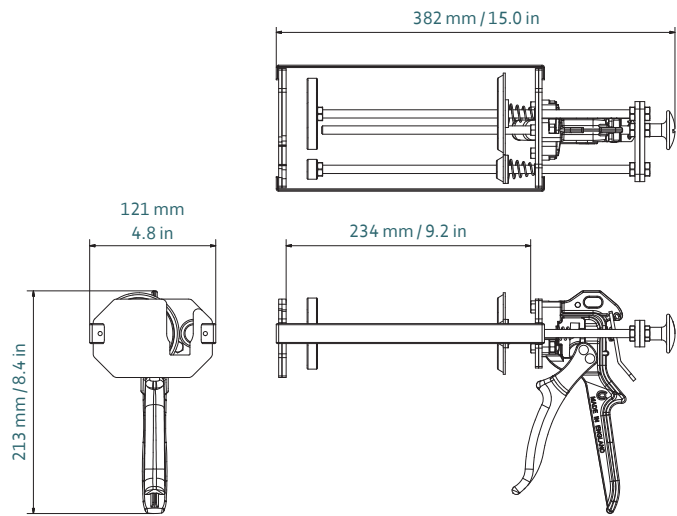


# THE PPM 750X 2-COMPONENT MANUAL DISPENSER HAS A HIGH-POWERED 25:1 MECHANISM WITH EPOXY COATED STEEL FRAME OFFERING EFFICIENT EFFORTLESS DISPENSING.

## SPECIFICATIONS

- Lightweight: 1.7 kg / 3.7 lbs
- Frame Length: 234 mm / 9.2 in
- Maximum Thrust: 4.5 kN
- Handle Material:  
Epoxy Coated Aluminum
- Frame Material: Epoxy Coated Steel
- Tool Component Approvals: REACH
- Cartridge Capacity: 825 mL (29.0 oz)
- Cartridge Ratio: 10:1
- Mechanical Advantage Ratio: 25:1
- Viscosity: High
- Standard Color: Black/Blue
- Customized Versions: Yes

## DIMENSIONS



Part number	Article number	Packaging
DM2C 1500-10-r25-001	159305 / M750X/10 (US) 825 mL (10:1)	1 per Box

## MATCHING MIXPAC™ SIDE-BY-SIDE CARTRIDGES



## COMPATIBLE SIDE-BY-SIDE CARTRIDGES



10:1	mm	inch
l	216.0	8.5
a	Ø 80.7	Ø 3.18
b	Ø 28.6	Ø 1.13
c	109.0	4.29

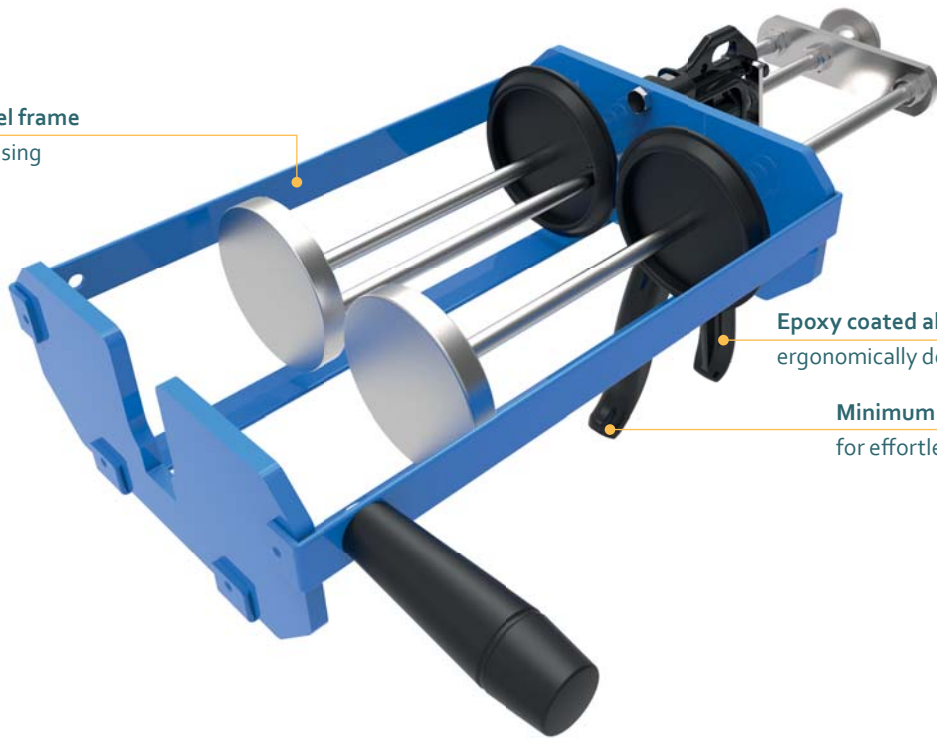
## CONVERSION KITS

## MATCHING ACCESSORIES

# PPM 1500X

## 1500 ML CARTRIDGE DISPENSER

Epoxy coated steel frame  
for efficient dispensing



Epoxy coated aluminum handle  
ergonomically design for comfort

Minimum trigger pressure  
for effortless use

Model shown: PPM 1500X 1500 mL

### FEATURES

- High quality cast aluminum handle
- Epoxy coated steel frame support
- Sintered alloy catch plate
- Customization possible

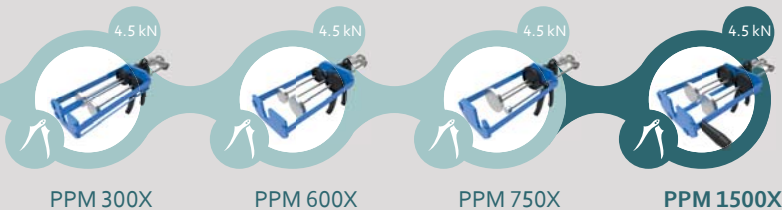
### BENEFITS

- For day long comfortable use
- For efficient dispensing
- Wear compensation device (WCD)
- Customer labelling

### APPLICATIONS



### PRODUCT BY RANGE

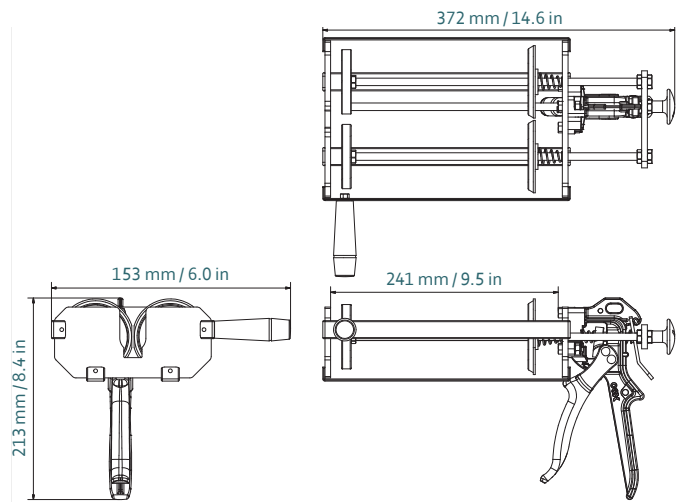


# THE PPM 1500X 2-COMPONENT MANUAL DISPENSER A HIGH-POWERED 25:1 MECHANISM WITH EPOXY COATED STEEL FRAME OFFERS EFFICIENT EFFORTLESS DISPENSING.

## SPECIFICATIONS

- Lightweight: 1.7 kg / 3.7 lbs
- Frame Length: 241 mm / 9.5 in
- Maximum Thrust: 4.5 kN
- Handle Material:  
Epoxy Coated Aluminum
- Frame Material: Epoxy Coated Steel
- Tool Component Approvals: REACH
- Cartridge Capacity: 1500 mL (52.8 oz)
- Cartridge Ratio: 1:1
- Mechanical Advantage Ratio: 25:1
- Viscosity: High
- Standard Color: Black/Blue
- Customized Versions: Yes

## DIMENSIONS



Part number	Article number	Packaging
DM2C 1500-01-r25-001	159304 / M750X/1 (US) 1500 mL (1:1)	1 per Box

## MATCHING MIXPAC™ SIDE-BY-SIDE CARTRIDGES



**J-System Cartridge**  
1500 mL / 1:1 PP / PP-GF

## COMPATIBLE SIDE-BY-SIDE CARTRIDGES



**Plastic Cartridge**  
1500 mL / 1:1 PP

1:1	mm	inch
l	215.0	8.46
a	Ø 79.0	Ø 3.11
c	160.0	6.3

## CONVERSION KITS

## MATCHING ACCESSORIES

# CBM 310S

## 620 ML SACHET DISPENSER

Epoxy coated steel frame  
for efficient dispensing



Epoxy coated aluminum handle  
ergonomically design for comfort

Model shown: CBM 310S 620 mL

### FEATURES

- High quality cast aluminum handle
- Epoxy coated steel frame support
- Sintered alloy catch plate
- Minimum trigger pressure
- Customization possible

### BENEFITS

- For day long comfortable use
- For efficient dispensing
- Wear compensation device (WCD)
- For effortless use
- Customer labelling

### APPLICATIONS



### PRODUCT BY RANGE

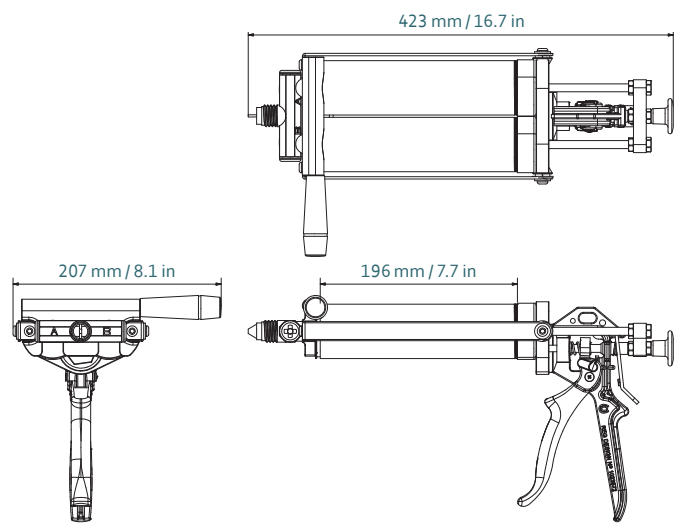


# THE CBM 310S 2-COMPONENT MANUAL DISPENSER WITH HIGH-POWERED 18:1 MECHANISM AND EPOXY COATED STEEL FRAME IS SUITABLE FOR 2x310 ML SACHETS.

## SPECIFICATIONS

- Lightweight: 1.7 kg / 3.7 lbs
- Frame Length: 196 mm / 7.7 in
- Maximum Thrust: 3.5 kN
- Handle Material: Epoxy Coated Aluminum
- Frame Material: Epoxy Coated Steel
- Tool Component Approvals: REACH
- Sachet Capacity: 620 mL (21.0 oz)
- Sachet Ratio: 1:1
- Mechanical Advantage Ratio: 18:1
- Viscosity: Low/Medium
- Standard Color: Black/Blue
- Customized Versions: Yes

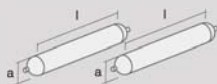
## DIMENSIONS



Part number	Article number	Packaging
DM2C 620-01-r18-001	177651	1 per box

## MATCHING MIXPAC™ CARTRIDGES

## COMPATIBLE SACHET



2x310 mL Sachet  
620 mL / 1:1 PP

1:1	mm	inch
l	215.0	8.46
a	Ø 79.0	Ø 3.11
c	160.0	6.3

## CONVERSION KITS

## MATCHING ACCESSORIES

Connecting manifold supplied on pages 145.

# CBM 310XC

## 620 ML CARTRIDGE DISPENSER

Epoxy coated steel frame  
for efficient dispensing



Epoxy coated aluminum handle  
ergonomically design for comfort

Model shown: CBM 310XC 620 mL

### FEATURES

- High quality cast aluminum handle
- Epoxy coated steel frame support
- Sintered alloy catch plate
- Minimum trigger pressure
- Customization possible

### BENEFITS

- For day long comfortable use
- For efficient dispensing
- Wear compensation device (WCD)
- For effortless use
- Customer labelling

### APPLICATIONS



### PRODUCT BY RANGE

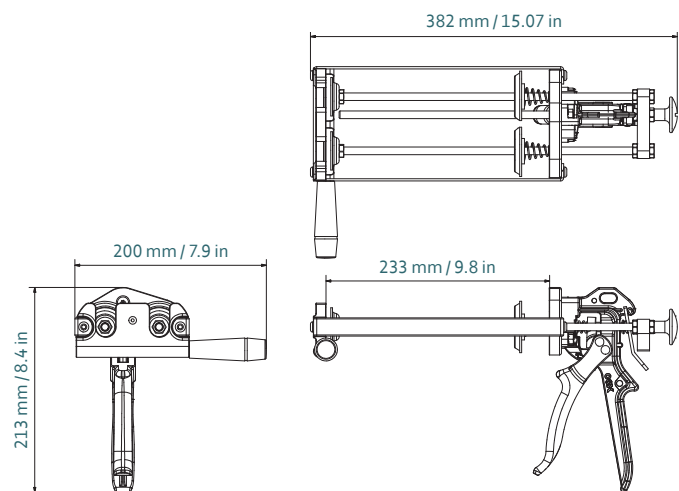


# THE CBM 310XC 2-COMPONENT MANUAL DISPENSER WITH HIGH-POWERED 25:1 MECHANISM AND EPOXY COATED STEEL FRAME IS SUITABLE FOR 2x310 ML ALUMINUM CARTRIDGES.

## SPECIFICATIONS

- Lightweight: 1.5 kg / 3.3 lbs
- Frame Length: 233 mm / 9.8 in
- Maximum Thrust: 4.5 kN
- Handle Material:  
Epoxy Coated Aluminum
- Frame Material: Epoxy Coated Steel
- Tool Component Approvals: REACH
- Cartridge Capacity: 620 mL (21.0 oz)
- Cartridge Ratio: 1:1
- Mechanical Advantage Ratio: 25:1
- Viscosity: Medium
- Standard Color: Black/Blue
- Customized Versions: Yes

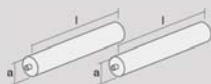
## DIMENSIONS



Part number	Article number	Packaging
DM2C 620-01-r25-101	177649	1 per box

## MATCHING MIXPAC™ CARTRIDGES

## COMPATIBLE SIDE-BY-SIDE CARTRIDGES



2 x 310 mL Alu Cartridge  
620 mL / 1:1 PP

1:1	mm	inch
l	215.0	8.46
a	Ø 79.0	Ø 3.11
c	160.0	6.3

## CONVERSION KITS

## MATCHING ACCESSORIES

Connecting manifold supplied on pages 145.

# CBM 310CP X

## 620 ML CARTRIDGE DISPENSER

Epoxy coated steel frame  
for efficient dispensing



Epoxy coated aluminum handle  
ergonomically design for comfort

Model shown: CBM 310CP X 620 mL

### FEATURES

- High quality cast aluminum handle
- Epoxy coated steel frame support
- Sintered alloy catch plate
- Minimum trigger pressure
- Customization possible

### BENEFITS

- For day long comfortable use
- For efficient dispensing
- Wear compensation device (WCD)
- For effortless use
- Customer labelling

### APPLICATIONS



Bonding



Sealing



Shimming

### PRODUCT BY RANGE



CBM 310S

CBM 310XC

CBM 310CP X

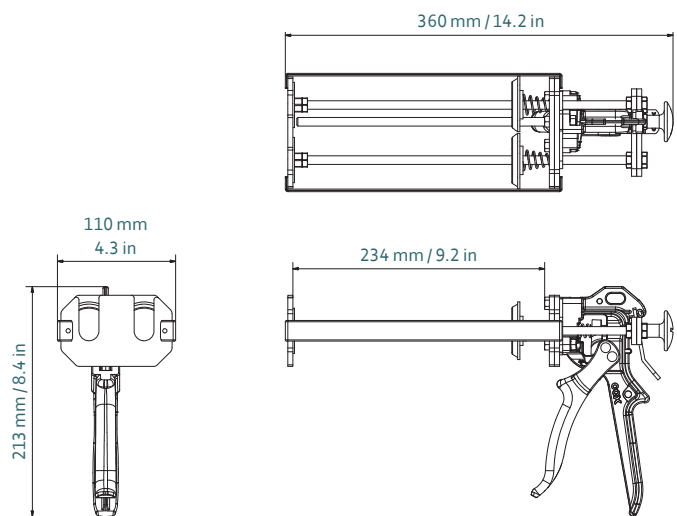


# THE CBM 310CP X 2-COMPONENT MANUAL DISPENSER WITH HIGH-POWERED 25:1 MECHANISM AND EPOXY COATED STEEL FRAME GIVES EFFICIENT, EFFORTLESS DISPENSING FOR 2x310 ML ALUMINUM CARTRIDGES.

## SPECIFICATIONS

- Lightweight: 1.5 kg / 3.3 lbs
- Frame Length: 234 mm / 9.2 in
- Maximum Thrust: 4.5 kN
- Handle Material: Epoxy Coated Aluminum
- Frame Material: Epoxy Coated Steel
- Tool Component Approvals: REACH
- Cartridge Capacity: 620 mL (21.0 oz)
- Cartridge Ratio: 1:1
- Mechanical Advantage Ratio: 25:1
- Viscosity: Medium
- Standard Color: Black/Blue
- Customized Versions: Yes

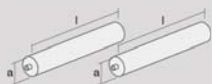
## DIMENSIONS



Part number	Article number	Packaging
DM2C 620-01-r25-201	177652	1 per box

## MATCHING MIXPAC™ CARTRIDGES

## COMPATIBLE SIDE-BY-SIDE CARTRIDGES



2 x 310 mL Alu Cartridge  
630 mL / 1:1 PP

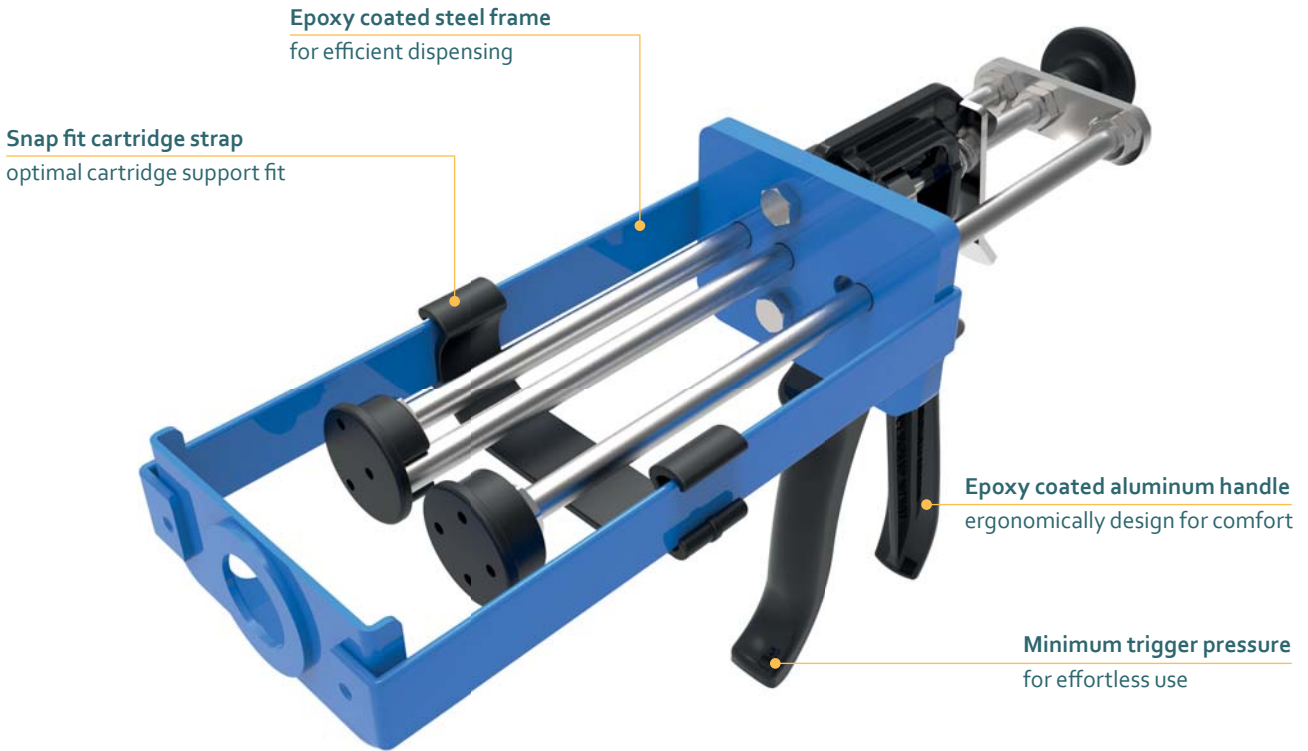
1:1	mm	inch
l	215.0	8.46
a	Ø 79.0	Ø 3.11
c	160.0	6.3

## CONVERSION KITS

## MATCHING ACCESSORIES

# RBM 100

## 220 ML CARTRIDGE DISPENSER



Model shown: RBM 100 220 mL

### FEATURES

- High quality cast aluminum handle
- Epoxy coated steel frame support
- Sintered alloy catch plate
- Snap fit cartridge strap
- Customization possible

### BENEFITS

- For day long comfortable use
- For efficient dispensing
- Wear compensation device (WCD)
- For optimal cartridge support
- Customer labelling

### APPLICATIONS



### PRODUCT BY RANGE

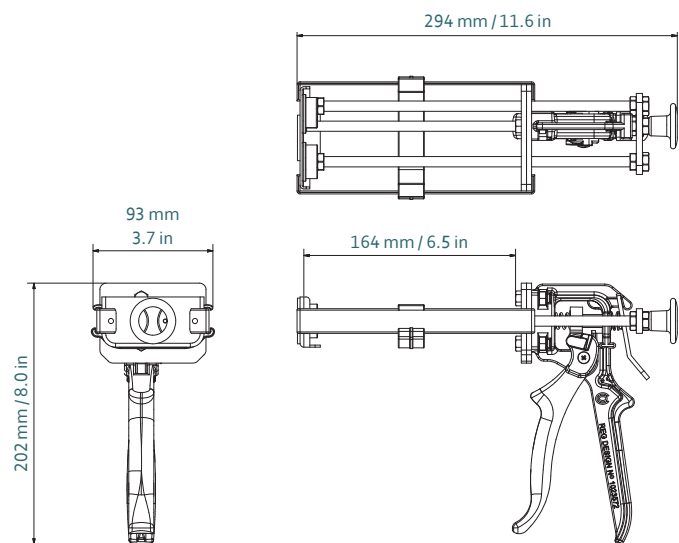


# THE RBM 100 2-COMPONENT MANUAL DISPENSER HAS A HIGH-POWERED 18:1 MECHANISM WITH EPOXY COATED STEEL FRAME AND SNAP FIT CARTRIDGE STRAPS FOR OPTIMUM SUPPORT AND FIT.

## SPECIFICATIONS

- Lightweight: 1.2 kg / 2.6 lbs
- Frame Length: 164 mm / 6.5 in
- Maximum Thrust: 3.5 kN
- Handle Material: Epoxy Coated Aluminum
- Frame Material: Epoxy Coated Steel
- Tool Component Approvals: REACH
- Cartridge Capacity: 220 mL (7.7 oz)
- Cartridge Ratio: 1:1
- Mechanical Advantage Ratio: 18:1
- Viscosity: Medium/High
- Standard Color: Black/Blue
- Customized Versions: Yes

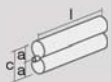
## DIMENSIONS



Part number	Article number	Packaging
DM2C 200-01-r18-201	177796	10 per Box

## MATCHING MIXPAC™ CARTRIDGES

## COMPATIBLE SIDE-BY-SIDE CARTRIDGES



Plastic Cartridge  
2×110 mL / 1:1 PE

1:1	mm	inch
l	144.0	5.67
a	Ø 37.0	Ø 1.46
c	76.0	2.99

## CONVERSION KITS

## MATCHING ACCESSORIES

# RBM 385X

## 385 ML CARTRIDGE DISPENSER



Model shown: RBM 385X 385 mL

### FEATURES

- High quality cast aluminum handle
- Epoxy coated steel frame support
- Sintered alloy catch plate
- Snap fit cartridge strap
- Customization possible

### BENEFITS

- For day long comfortable use
- For efficient dispensing
- Wear compensation device (WCD)
- For optimal cartridge support
- Customer labelling

### APPLICATIONS



### PRODUCT BY RANGE

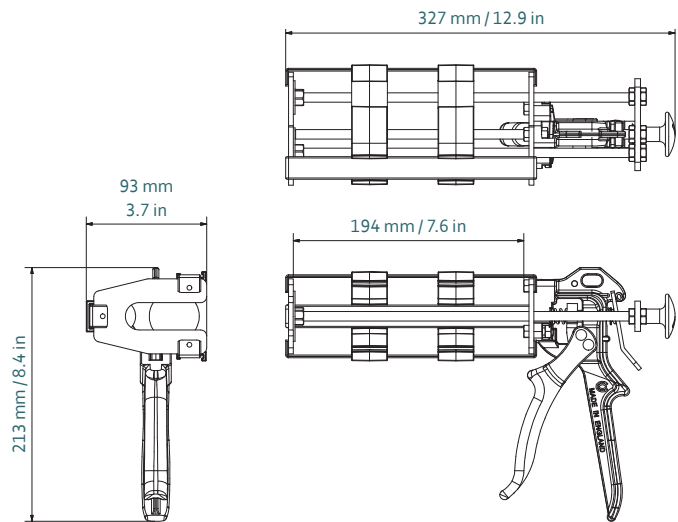


# THE RBM 385X 2-COMPONENT MANUAL DISPENSER HAS A HIGH-POWERED 25:1 MECHANISM DESIGNED FOR USE WITH HIGH VISCOSITY SEALANTS AND ADHESIVES.

## SPECIFICATIONS

- Lightweight: 1.2 kg / 2.6 lbs
- Frame Length: 194 mm / 7.6 in
- Maximum Thrust: 3.5 kN
- Handle Material:  
Epoxy Coated Aluminum
- Frame Material: Epoxy Coated Steel
- Tool Component Approvals: REACH
- Cartridge Capacity: 385 mL (13.6 oz)
- Cartridge Ratio: 3:1
- Mechanical Advantage Ratio: 25:1
- Viscosity: High
- Standard Color: Black/Blue
- Customized Versions: Yes

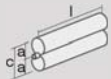
## DIMENSIONS



Part number	Article number	Packaging
DM2C 385-03-r25-001	177829	10 per Box

## MATCHING MIXPAC™ SIDE-BY-SIDE CARTRIDGES

## COMPATIBLE SIDE-BY-SIDE CARTRIDGES



Plastic Cartridge  
385 mL / 3:1 PP

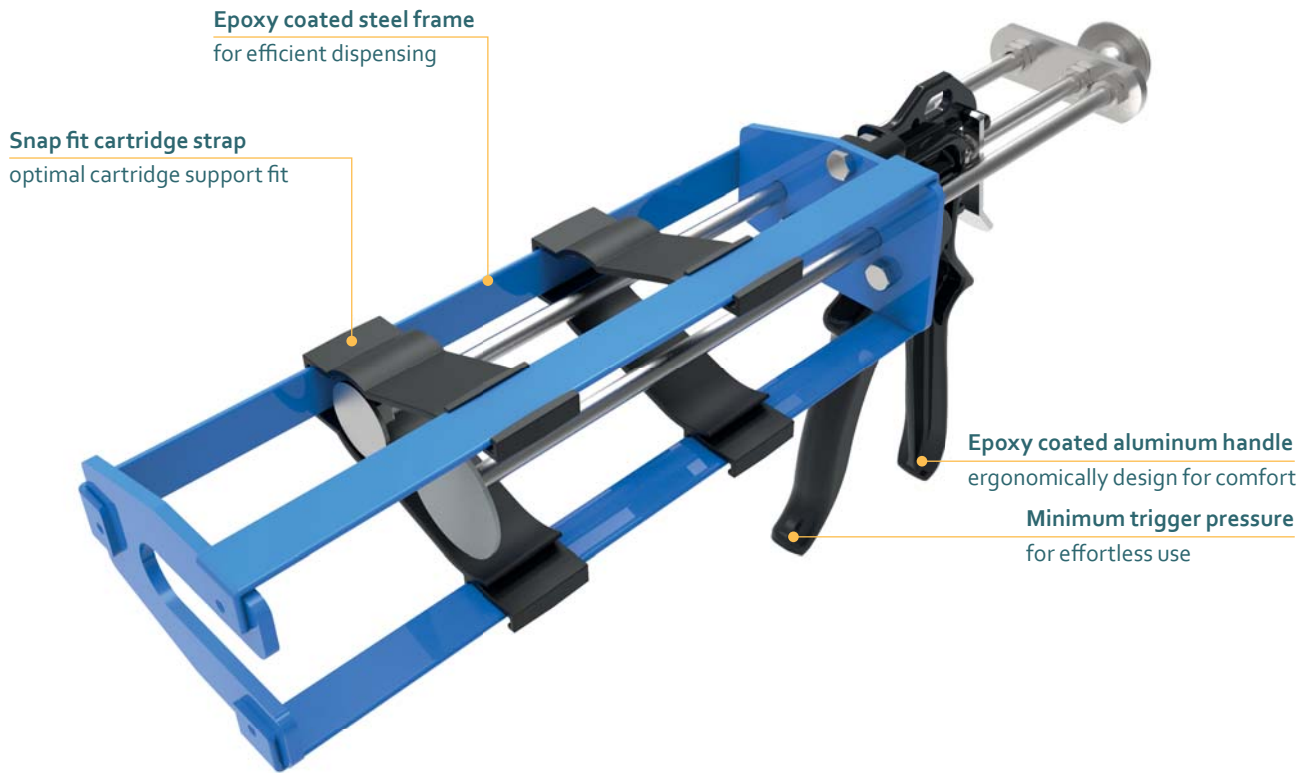
3:1	mm	inch
l	171.0	6.73
a	Ø 54.4	Ø 2.14
b	Ø 32.6	Ø 1.28
c	90.0	3.54

## CONVERSION KITS

## MATCHING ACCESSORIES

# RBM 585X

## 585 ML CARTRIDGE DISPENSER



Model shown: RBM 585X 585 mL

### FEATURES

- High quality cast aluminum handle
- Epoxy coated steel frame support
- Sintered alloy catch plate
- Snap fit cartridge strap
- Customization possible

### BENEFITS

- For day long comfortable use
- For efficient dispensing
- Wear compensation device (WCD)
- For optimal cartridge support
- Customer labelling

### APPLICATIONS



### PRODUCT BY RANGE

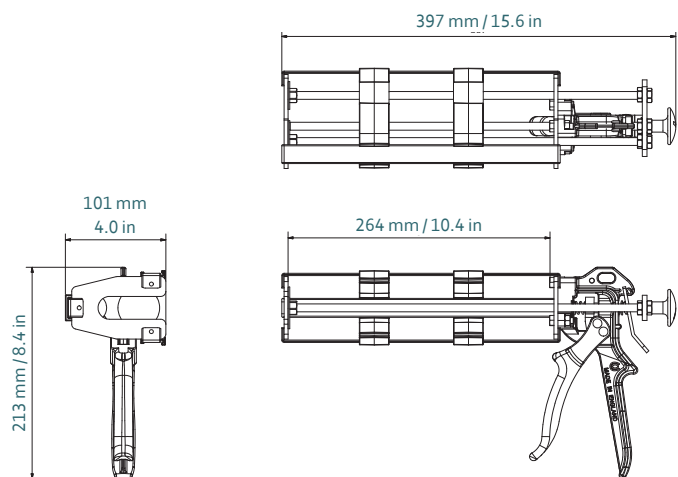


# THE RBM 585X 2-COMPONENT MANUAL DISPENSER HAS A HIGH-POWERED 25:1 MECHANISM WITH EPOXY COATED STEEL FRAME ALLOWS FOR HIGHER VOLUME AND REPETITIVE APPLICATIONS.

## SPECIFICATIONS

- Lightweight: 1.2 kg / 2.6 lbs
- Frame Length: 264 mm / 10.4 in
- Maximum Thrust: 3.5 kN
- Handle Material:  
Epoxy Coated Aluminum
- Frame Material: Epoxy Coated Steel
- Tool Component Approvals: REACH
- Cartridge Capacity: 585 mL (20.6 oz)
- Cartridge Ratio: 3:1
- Mechanical Advantage Ratio: 25:1
- Viscosity: High
- Standard Color: Black/Blue
- Customized Versions: Yes

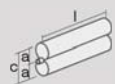
## DIMENSIONS



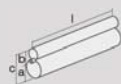
Part number	Article number	Packaging
DM2C 585-03-r25-001	177827	10 per Box

## MATCHING MIXPAC™ CARTRIDGES

## COMPATIBLE SIDE-BY-SIDE CARTRIDGES



Plastic Cartridge  
385 mL / 3:1 PP



Plastic Cartridge  
585 mL / 3:1 PP

3:1	mm	inch
l	171.0	6.73
a	Ø 54.4	Ø 2.14
b	Ø 32.6	Ø 1.28
c	90.0	3.54

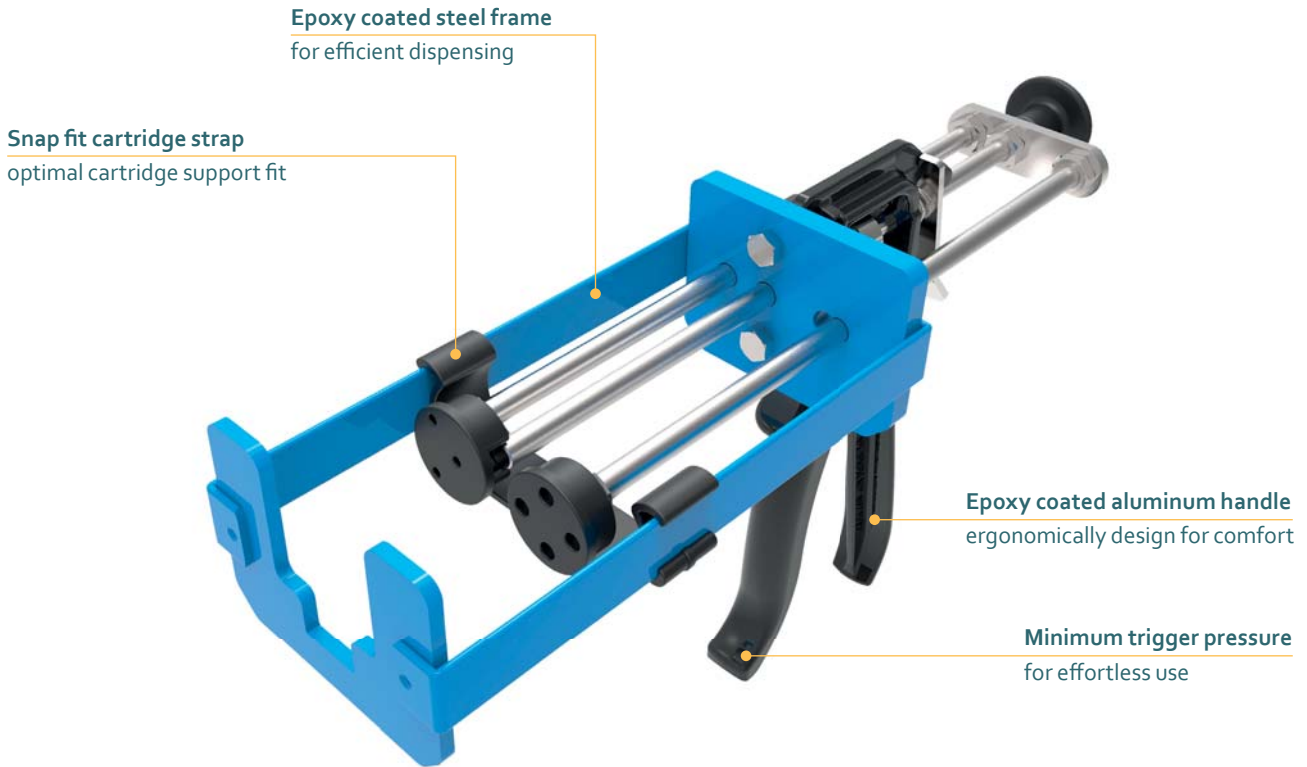
3:1	mm	inch
l	244.0	9.61
a	Ø 54.4	Ø 2.14
b	Ø 32.6	Ø 1.28
c	90.0	3.54

## CONVERSION KITS

## MATCHING ACCESSORIES

# VBM 100

## 200 ML CARTRIDGE DISPENSER



Model shown: VBM 100 200 mL

### FEATURES

- High quality cast aluminum handle
- Epoxy coated steel frame support
- Sintered alloy catch plate
- Snap fit cartridge strap
- Customization possible

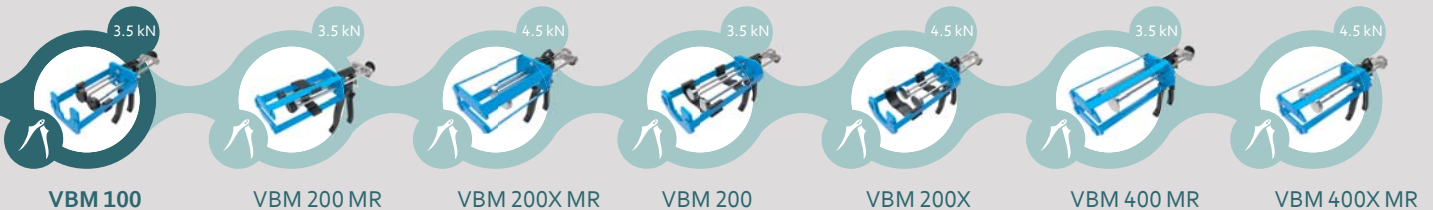
### BENEFITS

- For day long comfortable use
- For efficient dispensing
- Wear compensation device (WCD)
- For optimal cartridge support
- Customer labelling

### APPLICATIONS



### PRODUCT BY RANGE



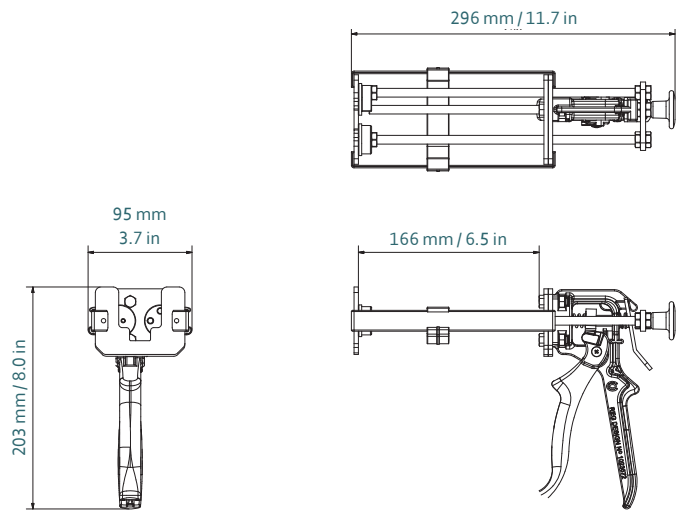


# THE VBM 100 2-COMPONENT MANUAL DISPENSER HAS A HIGH-POWERED 18:1 MECHANISM DESIGNED FOR USE WITH LOW TO MEDIUM VISCOSITY SEALANTS AND ADHESIVES.

## SPECIFICATIONS

- Lightweight: 1.2 kg / 2.6 lbs
- Frame Length: 166 mm / 6.5 in
- Maximum Thrust: 3.5 kN
- Handle Material:  
Epoxy Coated Aluminum
- Frame Material: Epoxy Coated Steel
- Tool Component Approvals: REACH
- Cartridge Capacity: 200 mL (7.0 oz)
- Cartridge Ratio: 1:1/2:1
- Mechanical Advantage Ratio: 18:1
- Viscosity: Low/Medium
- Standard Color: Black/Blue
- Customized Versions: Yes

## DIMENSIONS



Part number	Article number	Packaging
DM2C 200-01-r18-101	159900 / M100 (US)	10 per Box / 1 per Box (US)

## MATCHING MIXPAC™ SIDE-BY-SIDE CARTRIDGES

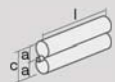


C-System/F-System  
200 mL / 1:1 PP/PA



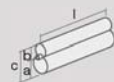
C-System/F-System  
200 mL / 2:1 PP/PA

## COMPATIBLE SIDE-BY-SIDE CARTRIDGES



Plastic Cartridge  
200 mL / 1:1 PP

1:1	mm	inch
l	148.0	5.83
a	Ø 37.0	Ø 1.46
c	79.0	3.11



Plastic Cartridge  
200 mL / 2:1 PP

2:1	mm	inch
l	148.0	5.83
a	Ø 50.0	Ø 1.97
b	Ø 31.0	Ø 1.22
c	81.0	3.19

## CONVERSION KITS

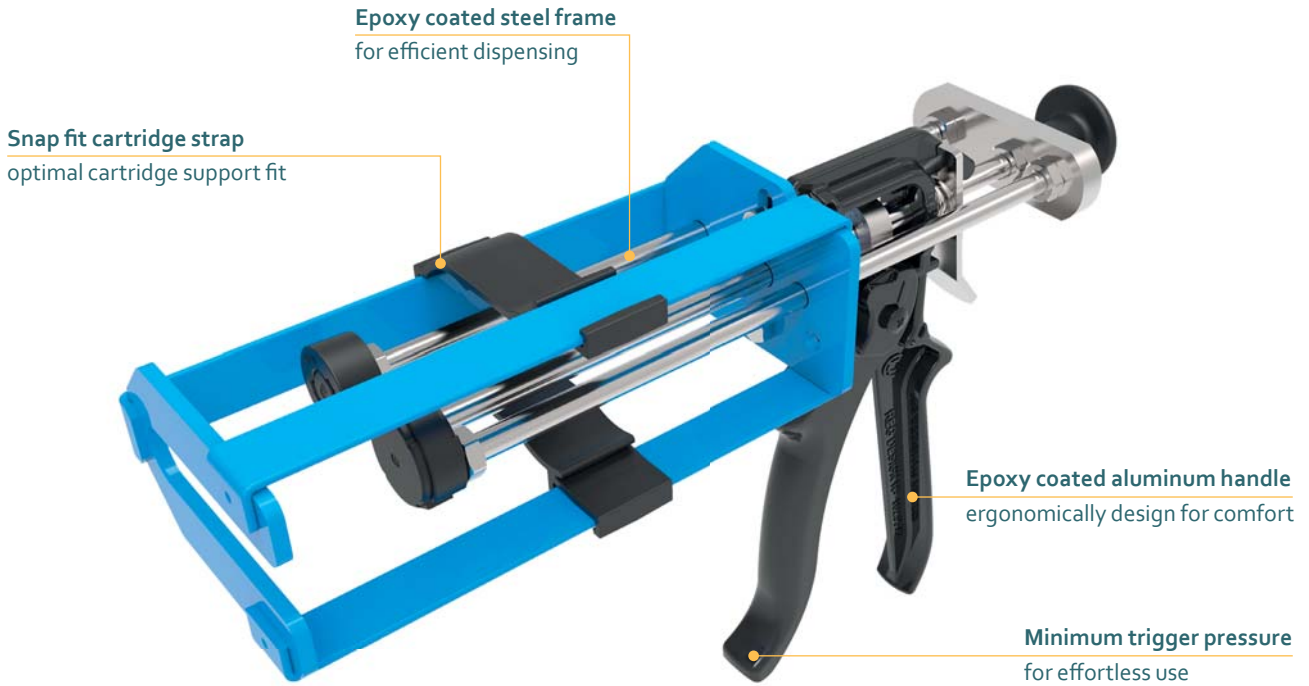
Conversion kit included

## MATCHING ACCESSORIES

—

# VBM 200 MR

## 200 ML CARTRIDGE DISPENSER



Model shown: VBM 200 MR 200 mL

### FEATURES

- High quality cast aluminum handle
- Epoxy coated steel frame support
- Sintered alloy catch plate
- Snap fit cartridge strap
- Customization possible

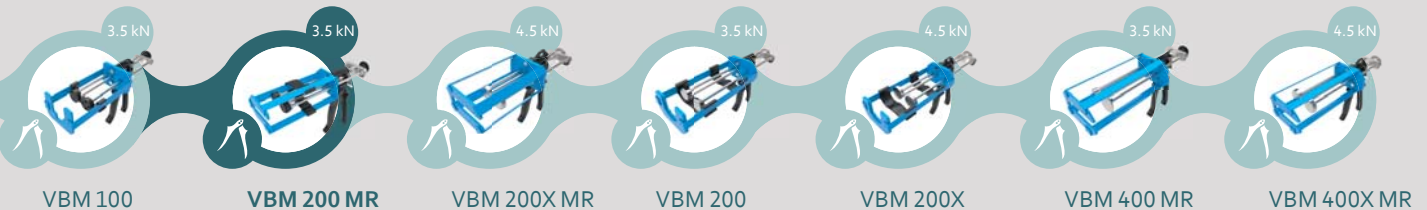
### BENEFITS

- For day long comfortable use
- For efficient dispensing
- Wear compensation device (WCD)
- For optimal cartridge support
- Customer labelling

### APPLICATIONS



### PRODUCT BY RANGE

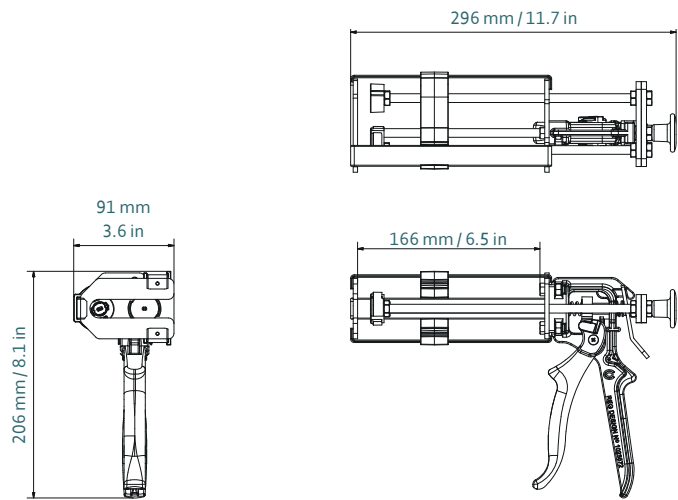


# THE VBM 200 MR 2-COMPONENT MULTI RATIO MANUAL DISPENSER HAS A HIGH-POWERED 18:1 MECHANISM WITH EPOXY COATED STEEL FRAME AND WEAR COMPENSATION DEVICE.

## SPECIFICATIONS

- Lightweight: 1.5 kg / 3.3 lbs
- Frame Length: 166 mm / 4.5 in
- Maximum Thrust: 3.5 kN
- Handle Material:  
Epoxy Coated Aluminum
- Frame Material: Epoxy Coated Steel
- Tool Component Approvals: REACH
- Cartridge Capacity: 200 mL (7.0 oz)
- Cartridge Ratio: 1:1, 2:1, 4:1, 10:1
- Mechanical Advantage Ratio: 18:1
- Viscosity: Medium/High
- Standard Color: Black/Blue
- Customized Versions: Yes

## DIMENSIONS



Part number	Article number	Packaging
DM2C 200-MR-r18-101	167324 / M200MR (US)	10 per Box / 1 per Box (US)

## MATCHING MIXPAC™ SIDE-BY-SIDE CARTRIDGES



C-System/F-System  
200 mL / 1:1 PP/PA/PBT



C-System/F-System  
200 mL / 2:1 PP/PA

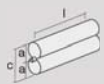


C-System/F-System  
200 mL / 4:1 PP/BPT

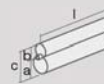


C-System/F-System  
200 mL / 10:1 PP/BPT

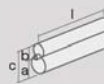
## COMPATIBLE SIDE-BY-SIDE CARTRIDGES



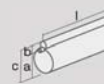
Plastic Cartridge  
200 mL / 1:1 PP/PBT



Plastic Cartridge  
200 mL / 2:1 PP



Plastic Cartridge  
200 mL / 4:1 PP/PBT



Plastic Cartridge  
200 mL / 10:1 PP/PBT

1:1	mm	inch
l	148.0	5.83
a	Ø 37.0	Ø 1.46
c	79.0	3.11

2:1	mm	inch
l	148.0	5.83
a	Ø 50.0	Ø 1.97
b	Ø 31.0	Ø 1.22
c	81.0	3.19

4:1	mm	inch
l	148.0	5.83
a	Ø 49.0	Ø 1.93
b	Ø 25.0	Ø 0.98
c	77.0	3.03

10:1	mm	inch
l	147.0	5.79
a	Ø 55.0	Ø 2.17
b	Ø 19.0	Ø 0.75
c	78.0	3.07

## CONVERSION KITS

Conversion kit included

## MATCHING ACCESSORIES

—

# VBM 200X MR

## 200 ML CARTRIDGE DISPENSER

Epoxy coated steel frame  
for efficient dispensing



Epoxy coated aluminum handle  
ergonomically design for comfort

Minimum trigger pressure  
for effortless use

Model shown: VBM 200X MR 200 mL

### FEATURES

- High quality cast aluminum handle
- Epoxy coated steel frame support
- Sintered alloy catch plate
- Snap fit cartridge strap
- Customization possible

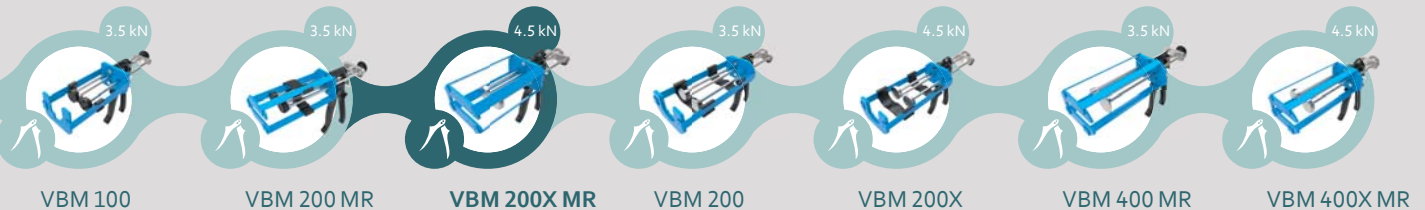
### BENEFITS

- For day long comfortable use
- For efficient dispensing
- Wear compensation device (WCD)
- For optimal cartridge support
- Customer labelling

### APPLICATIONS



### PRODUCT BY RANGE

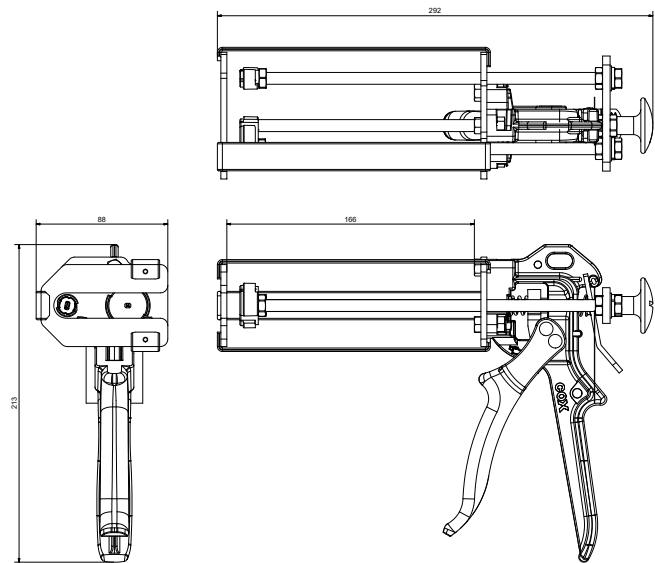


# THE VBM 200X MR 2-COMPONENT MANUAL DISPENSER HAS A HIGH-POWERED 25:1 MECHANISM WHILE THE SNAP FIT CARTRIDGE STRAPS GIVES OPTIMAL CARTRIDGE SUPPORT AND FIT.

## SPECIFICATIONS

- Lightweight: 1.5 kg / 3.3 lbs
- Frame Length: 163 mm / 6.4 in
- Maximum Thrust: 4.5 kN
- Handle Material: Epoxy Coated Aluminum
- Frame Material: Epoxy Coated Steel
- Tool Component Approvals: REACH
- Cartridge Capacity: 200 mL (7.0 oz)
- Cartridge Ratio: 1:1, 2:1, 4:1, 10:1
- Mechanical Advantage Ratio: 25:1
- Viscosity: Medium/High
- Standard Color: Black/Blue
- Customized Versions: Yes

## DIMENSIONS



Part number	Article number	Packaging
DM2C 200-MR-r25-101	167325 / M200XMR (US)	10 per Box / 1 per Box (US)

## MATCHING MIXPAC™ SIDE-BY-SIDE CARTRIDGES



C-System/F-System  
200 mL / 1:1 PP/PA/PBT



C-System/F-System  
200 mL / 2:1 PP/PA

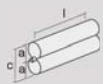


C-System/F-System  
200 mL / 4:1 PP/BPT

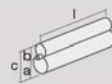


C-System/F-System  
200 mL / 10:1 PP/BPT

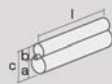
## COMPATIBLE SIDE-BY-SIDE CARTRIDGES



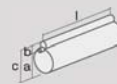
Plastic Cartridge  
200 mL / 1:1 PP/PBT



Plastic Cartridge  
200 mL / 2:1 PP



Plastic Cartridge  
200 mL / 4:1 PP/PBT



Plastic Cartridge  
200 mL / 10:1 PP/PBT

1:1	mm	inch
l	148.0	5.83
a	Ø 37.0	Ø 1.46
c	79.0	3.11

2:1	mm	inch
l	148.0	5.83
a	Ø 50.0	Ø 1.97
b	Ø 31.0	Ø 1.22
c	81.0	3.19

4:1	mm	inch
l	148.0	5.83
a	Ø 49.0	Ø 1.93
b	Ø 25.0	Ø 0.98
c	77.0	3.03

10:1	mm	inch
l	147.0	5.79
a	Ø 55.0	Ø 2.17
b	Ø 19.0	Ø 0.75
c	78.0	3.07

## CONVERSION KITS

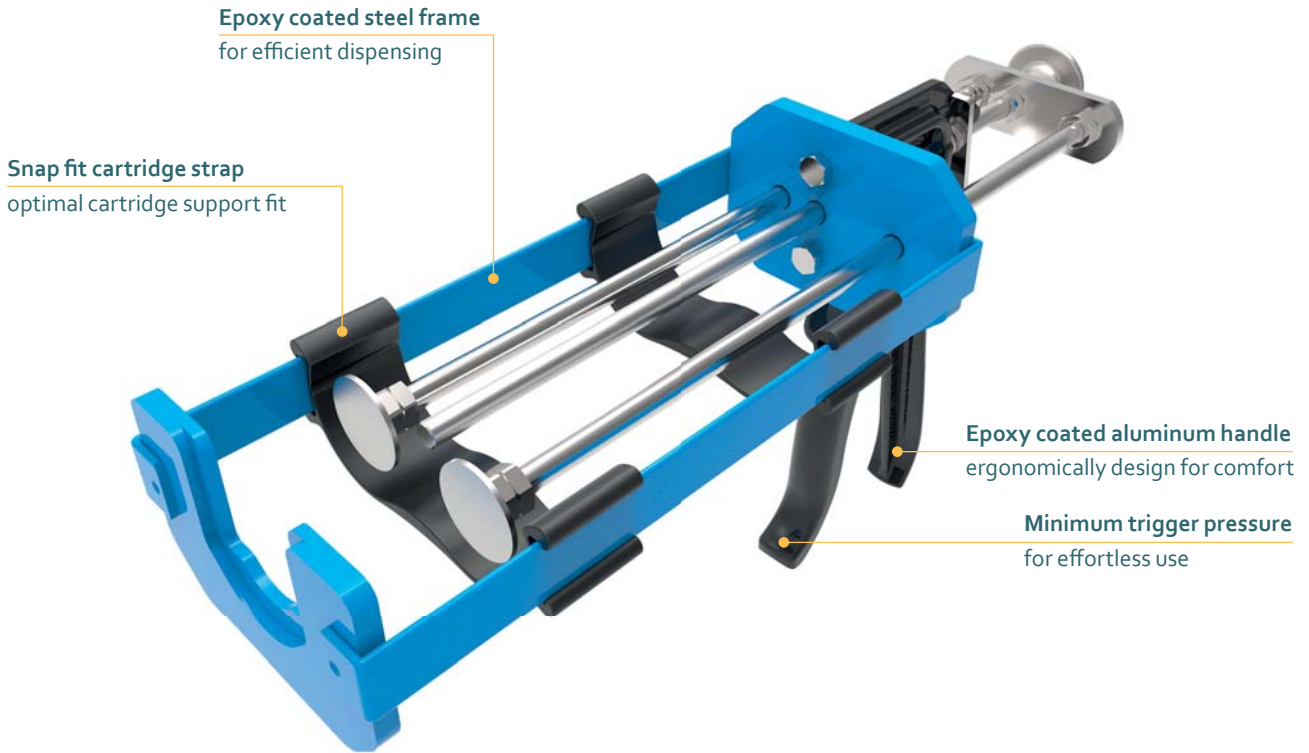
Conversion kit included

## MATCHING ACCESSORIES

—

# VBM 200

## 200 ML CARTRIDGE DISPENSER



Model shown: VBM 200 200 mL

### FEATURES

- High quality cast aluminum handle
- Epoxy coated steel frame support
- Sintered alloy catch plate
- Snap fit cartridge strap
- Customization possible

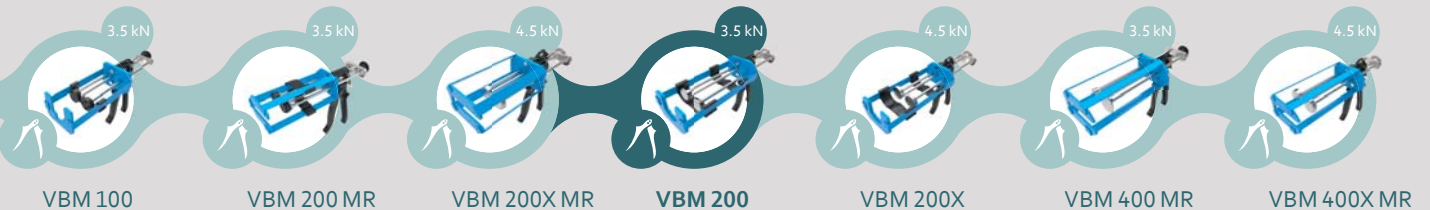
### BENEFITS

- For day long comfortable use
- For efficient dispensing
- Wear compensation device (WCD)
- For optimal cartridge support
- Customer labelling

### APPLICATIONS



### PRODUCT BY RANGE

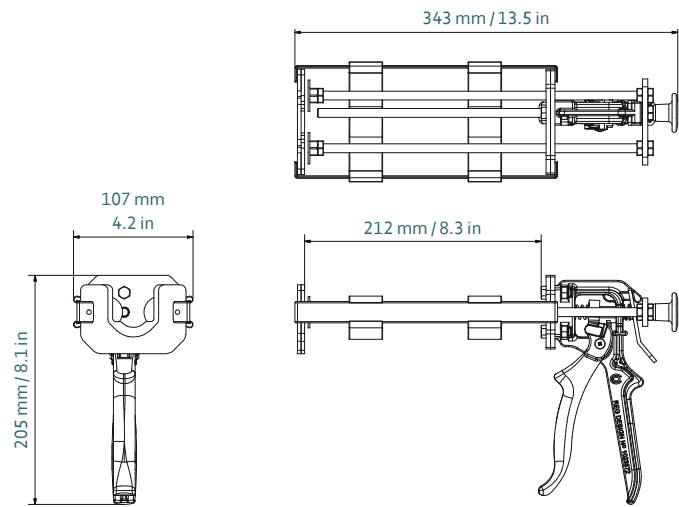


# THE VBM 200 2-COMPONENT MANUAL DISPENSER HAS A HIGH-POWERED 18:1 MECHANISM WITH EPOXY COATED STEEL FRAME AND WEAR COMPENSATION DEVICE.

## SPECIFICATIONS

- Lightweight: 1.2 kg / 2.6 lbs
- Frame Length: 212 mm / 8.3 in
- Maximum Thrust: 3.5 kN
- Handle Material:  
Epoxy Coated Aluminum
- Frame Material: Epoxy Coated Steel
- Tool Component Approvals: REACH
- Cartridge Capacity: 400 mL (14.0 oz)
- Cartridge Ratio: 1:1
- Mechanical Advantage Ratio: 18:1
- Viscosity: Low/Medium
- Standard Color: Black/Blue
- Customized Versions: Yes

## DIMENSIONS



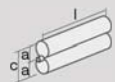
Part number	Article number	Packaging
DM2C 400-01-r18-001	159893	10 per Box / 1 per Box (US)

## MATCHING MIXPAC™ SIDE-BY-SIDE CARTRIDGES



C-System/F-System  
200 mL / 1:1 PP/PA

## COMPATIBLE SIDE-BY-SIDE CARTRIDGES



Plastic Cartridge  
200 mL / 1:1 PP

1:1	mm	inch
l	148.0	5.83
a	Ø 37.0	Ø 1.46
c	79.0	3.11

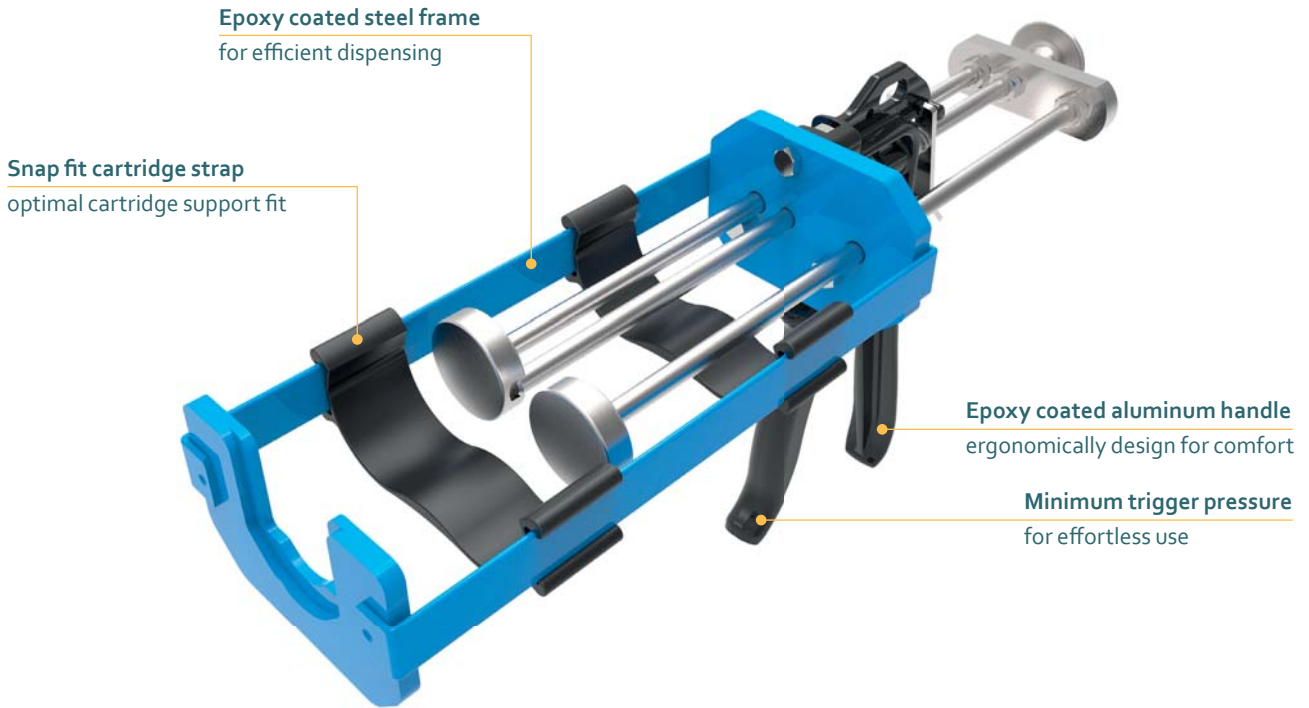
## CONVERSION KITS

## MATCHING ACCESSORIES



# VBM 200X

## 200 ML CARTRIDGE DISPENSER



Model shown: VBM 200X 200 mL

### FEATURES

- High quality cast aluminum handle
- Epoxy coated steel frame support
- Sintered alloy catch plate
- Snap fit cartridge strap
- Customization possible

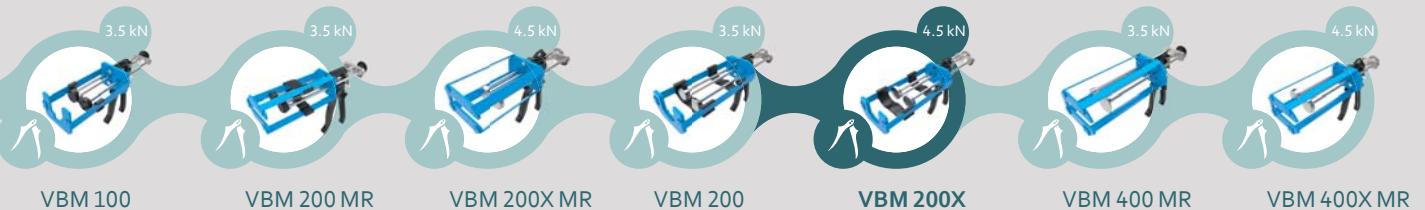
### BENEFITS

- For day long comfortable use
- For efficient dispensing
- Wear compensation device (WCD)
- For optimal cartridge support
- Customer labelling

### APPLICATIONS



### PRODUCT BY RANGE



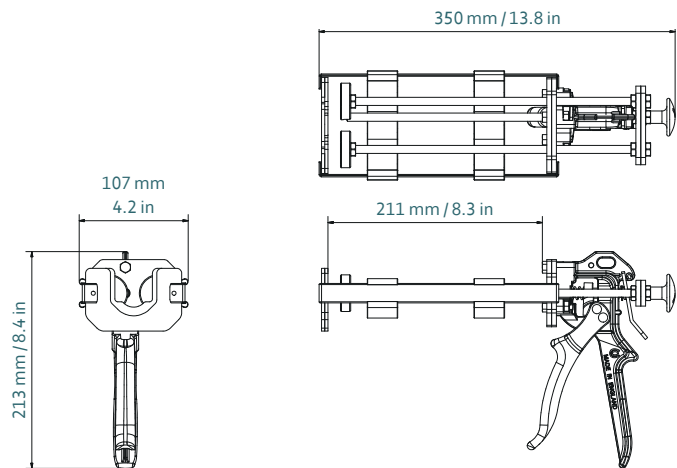


# THE VBM 200X 2-COMPONENT MANUAL DISPENSER HAS A HIGH-POWERED 25:1 MECHANISM DESIGNED FOR USE WITH HIGH VISCOSITY SEALANTS AND ADHESIVES.

## SPECIFICATIONS

- Lightweight: 1.6 kg / 3.5 lbs
- Frame Length: 211 mm / 8.3 in
- Maximum Thrust: 4.5 kN
- Handle Material:  
Epoxy Coated Aluminum
- Frame Material: Epoxy Coated Steel
- Tool Component Approvals: REACH
- Cartridge Capacity: 400 mL (14.0 oz)
- Cartridge Ratio: 1:1
- Mechanical Advantage Ratio: 25:1
- Viscosity: High
- Standard Color: Black/Blue
- Customized Versions: Yes

## DIMENSIONS



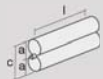
Part number	Article number	Packaging
DM2C 400-01-r25-001	177645 / M200X (US)	10 per Box / 1 per Box (US)

## MATCHING MIXPAC™ SIDE-BY-SIDE CARTRIDGES



C-System/F-System  
200 mL / 1:1 PP/PA

## COMPATIBLE SIDE-BY-SIDE CARTRIDGES



Plastic Cartridge  
400 mL / 1:1 PP/PBT

1:1	mm	inch
l	185.0	7.28
a	Ø 45.0	Ø 1.77
c	93.0	3.66

## CONVERSION KITS

## MATCHING ACCESSORIES

# VBM 400 MR

## 400 ML CARTRIDGE DISPENSER

Epoxy coated steel frame  
for efficient dispensing



Epoxy coated aluminum handle  
ergonomically design for comfort

Minimum trigger pressure  
for effortless use

Model shown: VBM 400 MR 400 mL

### FEATURES

- High quality cast aluminum handle
- Epoxy coated steel frame support
- Sintered alloy catch plate
- Customization possible

### BENEFITS

- For day long comfortable use
- For efficient dispensing
- Wear compensation device (WCD)
- Customer labelling

### APPLICATIONS



### PRODUCT BY RANGE

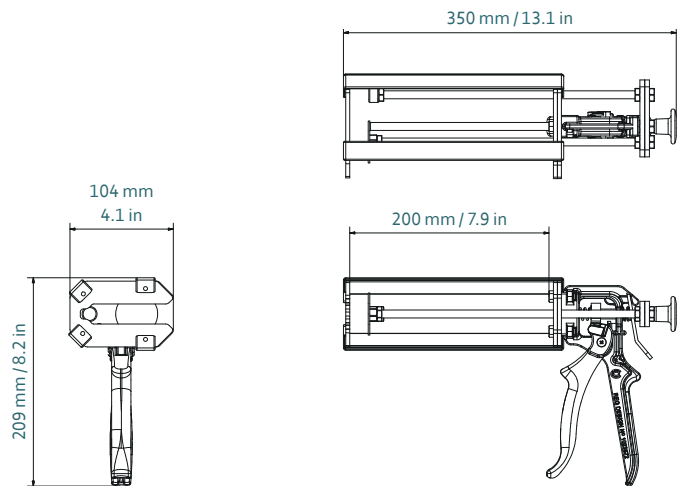


# THE VBM 400 MR 2-COMPONENT MANUAL DISPENSER HAS A HIGH-POWERED 18:1 MECHANISM DESIGNED FOR USE WITH MEDIUM TO HIGH VISCOSITY SEALANTS AND ADHESIVES.

## SPECIFICATIONS

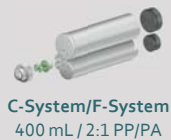
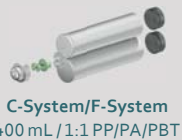
- Lightweight: 1.7 kg / 3.6 lbs
- Frame Length: 200 mm / 7.9 in
- Maximum Thrust: 3.5 kN (8 mm/s)
- Handle Material:  
Epoxy Coated Aluminum
- Frame Material: Epoxy Coated Steel
- Tool Component Approvals: REACH
- Cartridge Capacity: 400 mL (14.0 oz)
- Cartridge Ratio: 1:1, 2:1, 4:1, 10:1
- Mechanical Advantage Ratio: 18:1
- Viscosity: Medium/High
- Standard Color: Black/Blue
- Customized Versions: Yes

## DIMENSIONS

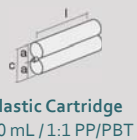


Part number	Article number	Packaging
DM2C 400-MR-r18-101	177660 (1:1 + MR)	10 per box / 1 per box (US)
DM2C 400-MR-r18-021	177669 (2:1 + MR)	10 per box / 1 per box (US)
DM2C 400-MR-r18-141	177672 (4:1 + MR)	10 per box / 1 per box (US)
DM2C 400-MR-r18-111	177675 (10:1 + MR)	10 per box / 1 per box (US)

## MATCHING MIXPAC™ SIDE-BY-SIDE CARTRIDGES



## COMPATIBLE SIDE-BY-SIDE CARTRIDGES



	1:1	mm	inch	2:1	mm	inch	10:1	mm	inch
l		185.0	7.28	l	185.0	7.28	l	185.0	7.28
a		Ø 45.0	Ø 1.77	a	Ø 47.0	Ø 1.85	a	Ø 65.0	Ø 2.56
c		93.0	3.66	b	Ø 33.0	Ø 1.3	b	Ø 19.5	Ø 0.77
				c	96.0	3.78	c	94.0	3.7

## CONVERSION KITS

Conversion kit included

## MATCHING ACCESSORIES

—

# VBM 400X MR

## 400 ML CARTRIDGE DISPENSER

Epoxy coated steel frame  
for efficient dispensing



Epoxy coated aluminum handle  
ergonomically design for comfort

Minimum trigger pressure  
for effortless use

Model shown: VBM 400X MR 400 mL

### FEATURES

- High quality cast aluminum handle
- Epoxy coated steel frame support
- Sintered alloy catch plate
- Customization possible

### BENEFITS

- For day long comfortable use
- For efficient dispensing
- Wear compensation device (WCD)
- Customer labelling

### APPLICATIONS



### PRODUCT BY RANGE

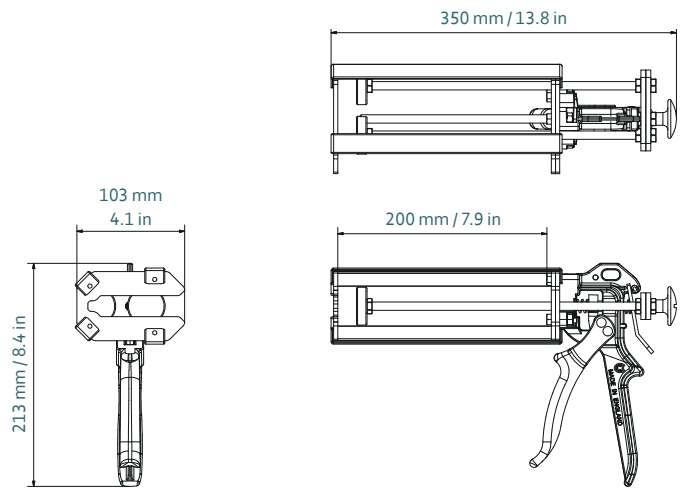


# THE VBM 400X MR 2-COMPONENT MANUAL DISPENSER HAS A HIGH-POWERED 25:1 MECHANISM WHILE THE SNAP FIT CARTRIDGE STRAPS GIVES OPTIMAL CARTRIDGE SUPPORT AND FIT.

## SPECIFICATIONS

- Lightweight: 1.8 kg / 3.8 lbs
- Frame Length: 200 mm / 7.9 in
- Maximum Thrust: 4.5 kN (8 mm/s)
- Handle Material: Epoxy Coated Aluminum
- Frame Material: Epoxy Coated Steel
- Tool Component Approvals: REACH
- Cartridge Capacity: 400 mL (14.0 oz)
- Cartridge Ratio: 1:1, 2:1, 4:1, 10:1
- Mechanical Advantage Ratio: 25:1
- Viscosity: High
- Standard Color: Black/Blue
- Customized Versions: Yes

## DIMENSIONS



Part number	Article number	Packaging
DM2C 400-01-r25-101	177667 / M400X/1 (US) (1:1)	10 per box / 1 per box (US)
DM2C 400-02-r25-101	177670 / M400X/2 (US) (2:1)	10 per box / 1 per box (US)
DM2C 400-04-r25-101	177673 / M400X/4 (US) (4:1)	10 per box / 1 per box (US)
DM2C 400-10-r25-101	177676 / M400X/10 (US) (10:1)	10 per box / 1 per box (US)

## MATCHING MIXPAC™ SIDE-BY-SIDE CARTRIDGES



C-System/F-System  
400 mL / 1:1 PP/PA



C-System/F-System  
400 mL / 2:1 PP/PA



C-System/F-System  
400 mL / 4:1 PP/BPT



C-System/F-System  
400 mL / 10:1 PP/BPT

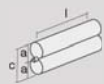


BlueLine  
400 mL / 2:1 PP/BPT

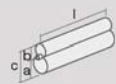


BlueLine  
400 mL / 10:1 PP/BPT

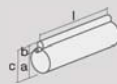
## COMPATIBLE SIDE-BY-SIDE CARTRIDGES



Plastic Cartridge  
400 mL / 1:1 PP/PBT



Plastic Cartridge  
400 mL / 2:1 PP



Plastic Cartridge  
400 mL / 10:1 PP/PBT

	1:1	mm	inch	2:1	mm	inch	10:1	mm	inch
l		185.0	7.28	l	185.0	7.28	l	185.0	7.28
a		Ø 45.0	Ø 1.77	a	Ø 47.0	Ø 1.85	a	Ø 65.0	Ø 2.56
c		93.0	3.66	b	Ø 33.0	Ø 1.3	b	Ø 19.5	Ø 0.77
				c	96.0	3.78	c	94.0	3.7

## CONVERSION KITS

—

## MATCHING ACCESSORIES

Ratio change plunger kits available as an accessory.  
See on pages 144.

# EASIPOWER™ PLUS CBE R50

## 50 ML CARTRIDGE DISPENSER

### Dispenser hook

for prolonged use with shoulder strap



### Soft grip handle

increased comfort

### Manual clutch trigger

easy adjustment rack position

### Fingertip control

for optimal dispensing performance

### Trigger lock

prevents accidental material discharge

Model shown: EasiPower Plus CBE R50 50 mL

### FEATURES

- Variable Speed Trigger
- Trigger lock
- Rubber over mouldings
- Overload shut off function
- Auto-reverse function
- Customization possible

### BENEFITS

- For greater speed control during dispensing
- Prevents accidental discharge of material
- For improved grip and comfort
- Stops material flow when trigger is released
- Prevent damage to the tool
- Customer labelling

### APPLICATIONS



Bonding



Solid Surface

### PRODUCT BY RANGE



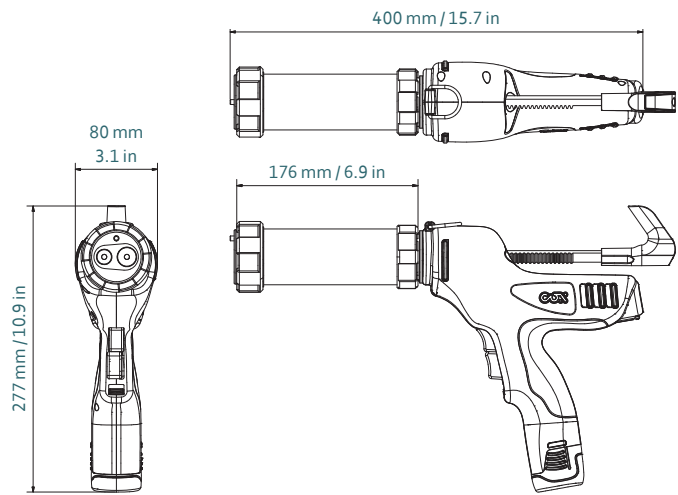
EasiPower Plus  
CBE R50

# THE EASIPOWER PLUS CBE R50 2-COMPONENT BATTERY DISPENSER FEATURES AN OVERLOAD SHUTOFF AND ANTI-DRIP MECHANISM WHILE THE VARIABLE SPEED TRIGGER GIVES YOU FINGERTIP CONTROL.

## SPECIFICATIONS

- Weight: 1.63 kg / 3.59 lbs
- Frame Length: 176 mm / 6.9 in
- Maximum Thrust: 1.3 kN
- Voltage: 10.8 V
- Battery Capacity: 1.5 Ah
- Battery Charge Time: 35 min
- Battery Type: Li-ion
- Handle Material: PC/ABS
- Barrel Material: Anodised Aluminum
- Tool Component Approvals: CE, REACH
- Cartridge Capacity: 50 mL (14 oz)
- Cartridge Ratio: 1:1, 2:1, 4:1, 10:1
- Viscosity: Low
- Standard Color: Black/Blue
- Customized versions on demand

## DIMENSIONS



Part number	Article number	Packaging
DB2C 50-01-150-1EU	181136 (1:1/2:1)	1 per Box
DB2C 50-04-150-1EU	181138 (4:1)	1 per Box
DB2C 50-10-150-1EU	181140 (10:1)	1 per Box

## MATCHING MIXPAC™ SIDE-BY-SIDE CARTRIDGES



A-System/B-System  
50 mL / 1:1 PP/PA



A-System/B-System  
50 mL / 2:1 PP/PA

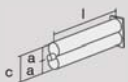


A-System/B-System  
50 mL / 4:1 PP/PA

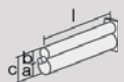


A-System/B-System  
50 mL / 10:1 PP/PA/PBT

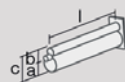
## COMPATIBLE SIDE-BY-SIDE CARTRIDGES



Rectangular Flange Cartridge  
50 mL / 1:1 PP/PBT



Rectangular Flange Cartridge  
50 mL / 2:1 PP/PBT



Rectangular Flange Cartridge  
50 mL / 4:1 PP/PBT

1:1	mm	inch
l	99.7	3.93
a	Ø 21.0	Ø 0.83
c	46.0	1.81

2:1	mm	inch
l	108.5	4.27
a	Ø 25.0	Ø 0.89
b	Ø 18.0	Ø 0.71
c	46.0	1.81

4:1	mm	inch
l	108.5	4.27
a	Ø 25.0	Ø 0.89
b	Ø 13.0	Ø 0.51
c	46.0	1.81

## CONVERSION KITS

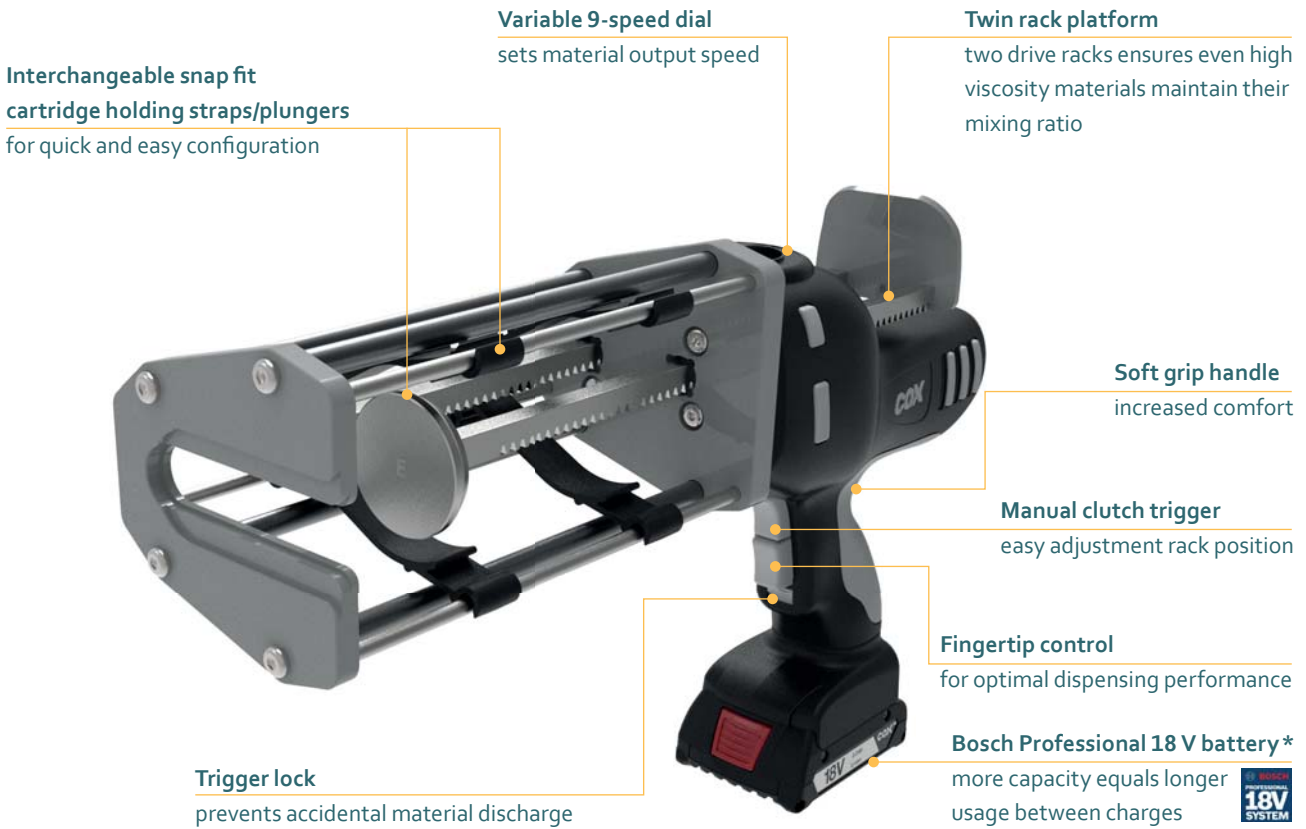
—

## MATCHING ACCESSORIES

Batteries, battery charger and shoulder strap on pages 144.

# ELECTRAFLOW™ DUAL ULTRA 400 MR

## 400 ML CARTRIDGE DISPENSER



Model shown: ElectraFlow Dual Ultra400 MR 400 mL

### FEATURES

- Interchangeable snap fit cartridge holding straps and plungers
- Rechargeable 18 V lithium Bosch battery
- Twin rack platform
- Automatic rack retraction
- Dispenser hook
- Customization possible

### BENEFITS

- For quick and easy configuration
- 100% longer life time
- Ensures mixing ratio is maintained
- Anti-drip mechanism – no run on
- For prolonged use with shoulder strap
- Customer labelling

### APPLICATIONS



Bonding

Repair



Shimming

Sealing

### PRODUCT BY RANGE



ElectraFlow Dual  
Ultra 400 MR



ElectraFlow Dual  
Ultra 600 1:1

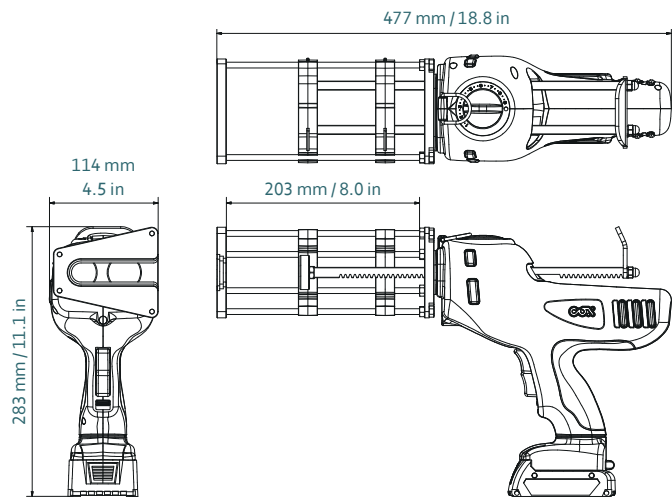


# THE ELECTRAFLOW DUAL ULTRA 400 MR 2-COMPONENT BATTERY DISPENSER FEATURES INTERCHANGEABLE CARTRIDGEHOLDING STRAPS AND PLUNGERS FOR QUICK AND EASY CONFIGURATION.

## SPECIFICATIONS

- Weight: 2.5–5 kg / 5.5–11 lbs
- Frame Length: 203 mm / 8.0 in
- Maximum Thrust: 5 kN
- Voltage: 18 V
- Battery Capacity: 2.0 Ah
- Battery Charge Time: 35 min
- Battery Type: Li-ion
- Handle Material: PC/ABS
- Frame Material: Steel/Aluminum
- Tool Component Approvals: CE, REACH, RoHS
- Cartridge Capacity: 400 mL (14 oz)
- Cartridge Ratio: 1:1, 2:1, 4:1, 10:1
- Viscosity: Medium/High
- Standard Color: Black/Grey
- Customized versions on demand

## DIMENSIONS



Part number	Article number	Packaging	Accessories included
DB2C 400-MR-500-001	163287	1 per Box	bare tool only, canvas toolbag
DB2C 400-MR-500-1UK	163288	1 per Box	1×2AH battery, UK charger, canvas toolbag
DB2C 400-MR-500-1EU	163289	1 per Box	1×2AH battery, EU charger, canvas toolbag
DB2C 400-MR-500-1US	163370 / 81400-D (US)	1 per Box	1×2AH battery, US charger, canvas toolbag

## MATCHING MIXPAC™ SIDE-BY-SIDE CARTRIDGES



C-System/F-System  
400 mL / 1:1 PP/PA



C-System/F-System  
400 mL / 2:1 PP/PA



C-System/F-System  
400 mL / 4:1 PP/BPT



C-System/F-System  
400 mL / 10:1 PP/BPT

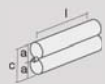


BlueLine  
400 mL / 2:1 PP/BPT

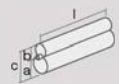


BlueLine  
400 mL / 10:1 PP/BPT

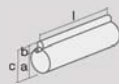
## COMPATIBLE SIDE-BY-SIDE CARTRIDGES



Plastic Cartridge  
400 mL / 1:1 PP/PBT



Plastic Cartridge  
400 mL / 2:1 PP



Plastic Cartridge  
400 mL / 10:1 PP/PBT

	1:1	mm	inch	2:1	mm	inch	10:1	mm	inch
l		185.0	7.28	l	185.0	7.28	l	185.0	7.28
a		Ø 45.0	Ø 1.77	a	Ø 47.0	Ø 1.85	a	Ø 65.0	Ø 2.56
c		93.0	3.66	b	Ø 33.0	Ø 1.3	b	Ø 19.5	Ø 0.77
				c	96.0	3.78	c	94.0	3.7

## CONVERSION KITS

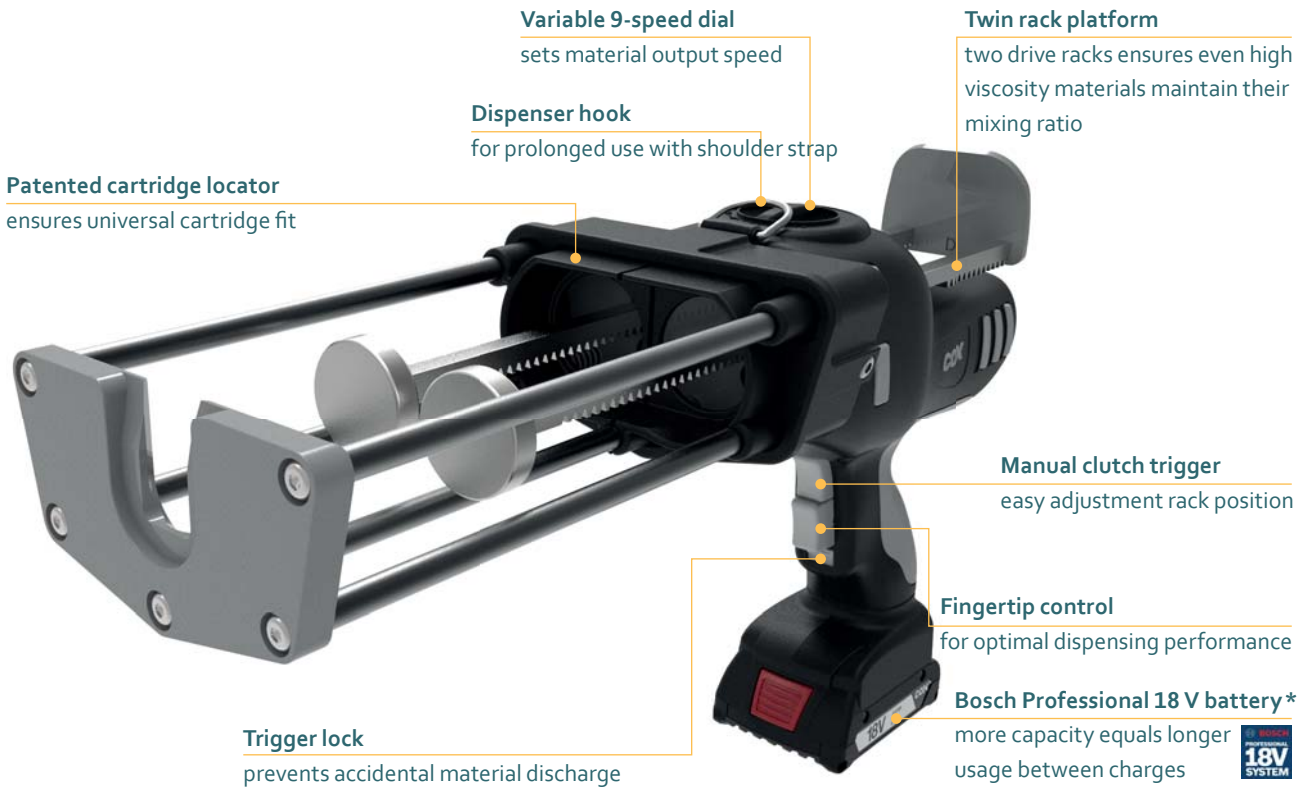
–

## MATCHING ACCESSORIES

Batteries, battery charger, plungers, straps and shoulder strap a on pages 144.

# ELECTRAFLOW™ DUAL ULTRA 600 1:1

## 600 ML CARTRIDGE DISPENSER



Model shown: ElectraFlow Dual Ultra 600 1:1

### FEATURES

- Patented (pending) cartridge locator
- Rechargeable 18 V lithium Bosch battery
- Twin rack platform
- Automatic rack retraction
- Manual clutch trigger
- Fingertip control
- Customization possible

### BENEFITS

- Ensures universal cartridge fit
- 100% longer life time
- Ensures mixing ratio are maintained
- Anti-drip mechanism – no run on
- Easy adjustment rack position
- For best dispensing performance
- Customer labelling

### APPLICATIONS



### PRODUCT BY RANGE



ElectraFlow Dual  
Ultra 400 MR

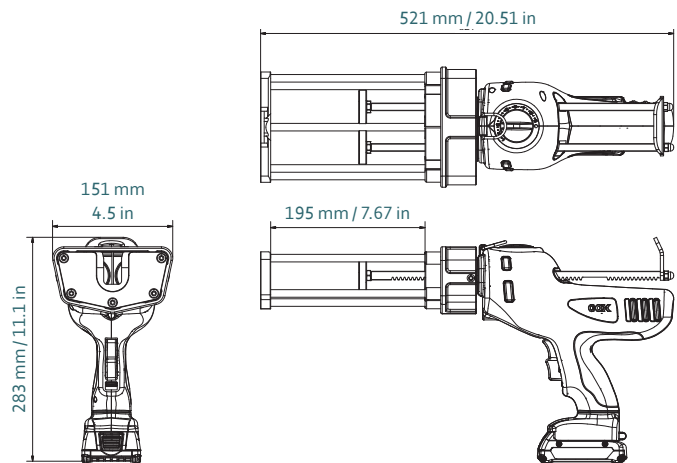
ElectraFlow Dual  
Ultra 600 1:1

# THE ELECTRAFLOW DUAL ULTRA 600 1:1 2-COMPONENT CORD-LESS DISPENSER FEATURES A PATENTED (PENDING) CARTRIDGE LOCATOR ENSURING UNIVERSAL CARTRIDGE FIT AND BOSCH PROFESSIONAL 18 V RE-CHARGEABLE BATTERY.

## SPECIFICATIONS

- Weight: 3.8 kg / 8.4 lb
- Frame Length: 195 mm / 7.67 in
- Maximum Thrust: 5 kN
- Voltage: 18 V
- Battery Capacity: 2.0 Ah
- Battery Charge Time: 35 min
- Battery Type: Li-ion
- Handle Material: PC/ABS
- Frame Material: Steel/Aluminum
- Tool Component Approvals: CE, REACH, RoHS
- Cartridge Capacity: 600 mL (21 oz)
- Cartridge Ratio: 1:1
- Viscosity: Medium/High
- Standard Color: Black/Grey
- Customized versions on demand

## DIMENSIONS



Part number	Article number	Packaging	Accessories included
DB2C 600-01-500-001	166733	1 per Box	bare tool only, canvas toolbag
DB2C 600-01-500-1UK	166732	1 per Box	1×2AH battery, UK charger, canvas toolbag
DB2C 600-01-500-1EU	166730	1 per Box	1×2AH battery, EU charger, canvas toolbag
DB2C 600-01-500-1US	166731 / 81600-D (US)	1 per Box	1×2AH battery, US charger, canvas toolbag

## MATCHING MIXPAC™ SIDE-BY-SIDE CARTRIDGES

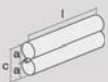


**J-System**  
600 mL / 1:1 PP/PA



**ecopaCC**  
600 mL / 1:1 PP/PA

## COMPATIBLE SIDE-BY-SIDE CARTRIDGES



**Plastic Cartridge**  
600 mL / 1:1 PP/PA

1:1	mm	inch
l	215.0	8.46
a	∅ 49.3	∅ 1.94
c	98.5	3.88

## CONVERSION KITS

–

## MATCHING ACCESSORIES

Batteries, battery charger, plungers, straps and shoulder strap a on pages 144.

# AIRFLOW™ 1 CBA 25

## 50 ML CARTRIDGE DISPENSER



**Quick exhaust**  
prevents run on

**Ergonomic design**  
for comfort and minimum fatigue

**Minimum trigger pressure**  
for effortless use

Model shown: AirFlow CBA 25 50 mL

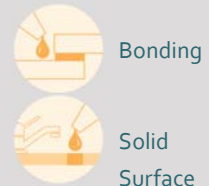
### FEATURES

- Adjustable air regulator
- Minimum trigger pressure
- Air return as standard
- Quick exhaust valve
- Customization possible

### BENEFITS

- Ensures precise controlled pressure
- For effortless use and minimum fatigue
- Fast, accurate, effortless application
- Prevents run-on
- Customer labelling

### APPLICATIONS



### PRODUCT BY RANGE

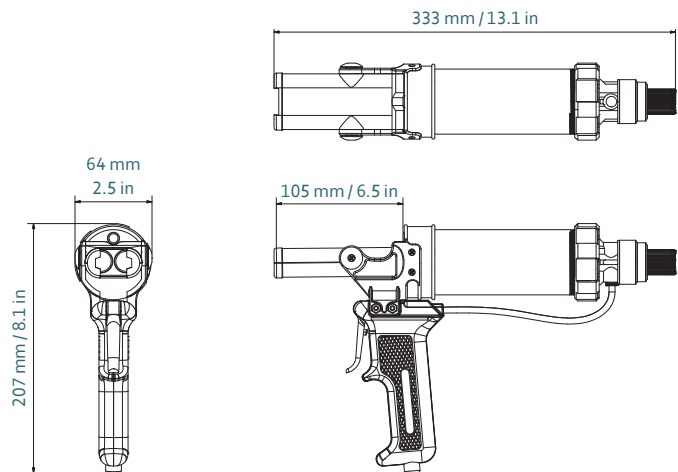


# THE AIRFLOW 1 CBA 25 2-COMPONENT PNEUMATIC DISPENSER IS DESIGNED FOR LOW VISCOSITY SEALANTS AND ADHESIVES. OFFERS AIR RETURN AS STANDARD FOR FAST, ACCURATE AND EFFORTLESS APPLICATION FOR R-TYPE CARTRIDGES.

## SPECIFICATIONS

- Weight: 0.75 kg / 1.63 lbs
- Frame Length: 105 mm / 6.5 in
- Maximum Thrust: 1.5 kN
- Maximum Pneumatic Pressure: 5.0 bar / 75 psi
- Air Consumption: 40 litres/min
- Handle Material: Glass Fiber Reinforced Nylon
- Cartridge Holder Material: Glass Fiber Reinforced Nylon
- Tool Component Approvals: CE, REACH
- Cartridge Capacity: 50 mL (1.69 oz)
- Cartridge Ratio: 1:1
- Viscosity: Low
- Standard Color: Black/Silver
- Customized versions on demand

## DIMENSIONS



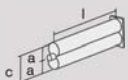
Part number	Article number	Packaging
DP2C 050-01-150-101	177747	10 per Box

## MATCHING MIXPAC™ CARTRIDGES



A-System/B-System  
50 mL / 1:1 PP/PA

## COMPATIBLE CARTRIDGES



Rectangular Flange Cartridge  
50 mL / 1:1 PP / PBT

1:1	mm	inch
l	99.7	3.93
a	Ø 21.0	Ø 0.83
c	46.0	1.81

## CONVERSION KITS

## MATCHING ACCESSORIES

# AIRFLOW™ 1 CBA R50

## 50 ML CARTRIDGE DISPENSER



**Quick exhaust**  
prevents run on

**Ergonomic design**  
for comfort and minimum fatigue

**Minimum trigger pressure**  
for effortless use

Model shown: AirFlow 1 CBA R50 50 mL

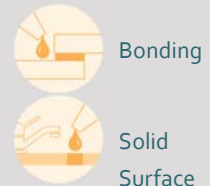
### FEATURES

- Adjustable air regulator
- Minimum trigger pressure
- Easy loading breach
- Quick exhaust valve
- Customization possible

### BENEFITS

- For effortless use and minimum fatigue
- Fast, accurate, effortless application
- Secure cartridge fit
- Prevents run-on
- Customer labelling

### APPLICATIONS



### PRODUCT BY RANGE

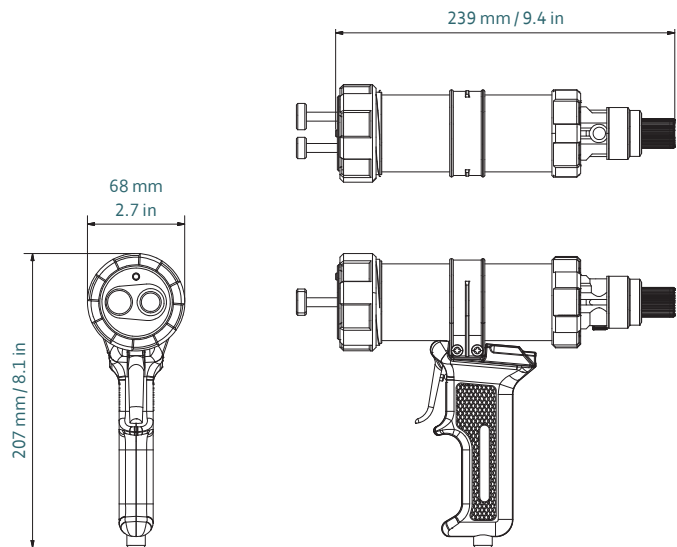


# THE AIRFLOW 1 CBA R50 2-COMPONENT PNEUMATIC DISPENSER IS DESIGNED FOR USE WITH LOW VISCOSITY SEALANTS AND ADHESIVES. OFFERS AIR RETURN AS STANDARD FOR FAST, ACCURATE AND EFFORTLESS APPLICATION FOR R-TYPE CARTRIDGES.

## SPECIFICATIONS

- Weight: 1.9 kg / 4.1 lbs
- Maximum Thrust: 1.5 kN
- Maximum Pneumatic Pressure: 3.4 bar / 50 psi
- Air Consumption: 40 litres/min
- Handle Material: Epoxy Coated Aluminum
- Cartridge Holder Material: Glass Fiber Reinforced Nylon
- Tool Component Approvals: CE, REACH
- Cartridge Capacity: 50 mL (1.69 oz)
- Cartridge Ratio: 1:1, 2:1, 4:1, 10:1
- Viscosity: Low
- Standard Color: Black/Silver
- Customized versions on demand

## DIMENSIONS



Part number	Article number	Packaging
DP2C 050-12-150-101	177761 (1:1, 2:1)	10 per Box
DP2C 050-04-150-101	177770 (4:1)	10 per Box
DP2C 050-10-150-101	177768 (10:1)	10 per Box

## MATCHING MIXPAC™ CARTRIDGES



A-System/B-System  
50 mL / 1:1 PP/PA

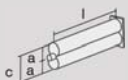


A-System/B-System  
50 mL / 2:1 PP/PA

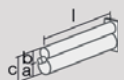


A-System  
50 mL / 10:1 PP/PA

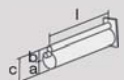
## COMPATIBLE CARTRIDGES



Rectangular Flange Cartridge  
50 mL / 1:1 PP / PBT



Rectangular Flange Cartridge  
50 mL / 2:1 PP / PBT



Rectangular Flange Cartridge  
50 mL / 10:1 PP / PBT

1:1	mm	inch
l	99.7	3.93
a	Ø 21.0	Ø 0.83
c	46.0	1.81

2:1	mm	inch
l	108.5	4.27
a	Ø 25.0	Ø 0.89
b	Ø 18.0	Ø 0.71
c	46.0	1.81

10:1	mm	inch
l	102.0	4.02
a	Ø 30.0	Ø 1.18
b	Ø 10.8	Ø 0.43
c	44.0	1.73

## CONVERSION KITS

## MATCHING ACCESSORIES

# AIRFLOW™ 1 CBA S50

## 50 ML CARTRIDGE DISPENSER



**Quick exhaust**  
prevents run on

**Ergonomic design**  
for comfort and minimum fatigue

**Minimum trigger pressure**  
for effortless use

Model shown: AirFlow 1 CBA S50 50 mL

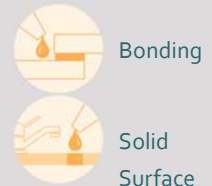
### FEATURES

- Adjustable air regulator
- Minimum trigger pressure
- Easy loading breach
- Quick exhaust valve
- Customization possible

### BENEFITS

- For effortless use and minimum fatigue
- Fast, accurate, effortless application
- Secure cartridge fit
- Prevents run-on
- Customer labelling

### APPLICATIONS



### PRODUCT BY RANGE



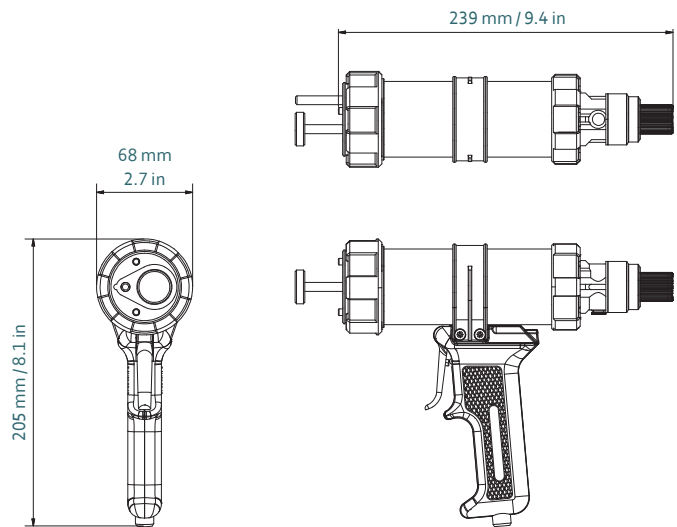


# THE AIRFLOW 1 CBA S50 2-COMPONENT PNEUMATIC DISPENSER FEATURES AN ADJUSTABLE AIR REGULATOR ENSURING PRECISE AND CONTROLLED PRESSURE FOR FAST, ACCURATE AND EFFORTLESS APPLICATION FOR S-TYPE CARTRIDGES.

## SPECIFICATIONS

- Weight: 1.9 kg / 4.1 lbs
- Maximum Thrust: 1.5 kN
- Maximum Pneumatic Pressure: 3.4 bar / 50 psi
- Air Consumption: 40 litres/min
- Handle Material: Epoxy Coated Aluminum
- Cartridge Holder Material: Glass Fiber Reinforced Nylon
- Tool Component Approvals: CE, REACH
- Cartridge Capacity: 50 mL (1.69 oz)
- Cartridge Ratio: 1:1, 2:1, 3:2, 10:1
- Viscosity: Low
- Standard Color: Black/Silver
- Customized versions on demand

## DIMENSIONS



Part number	Article number	Packaging
DP2C S50-01-150-101	177763 (1:1, 2:1, 3:2)	10 per Box
DP2C S50-10-150-101	177759 (10:1)	10 per box

## MATCHING MIXPAC™ CARTRIDGES



BS-System  
50 mL / 1:1 PP/PBA



BS-System  
50 mL / 2:1 PP/PBA

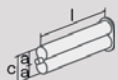


BS-System  
50 mL / 3:2 PP/PBA



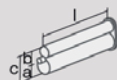
BS-System  
50 mL / 10:1 PP/PBT

## COMPATIBLE CARTRIDGES



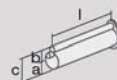
Round Flange Cartridge  
50 mL / 1:1 PP/PBT

1:1	mm	inch
l	99.7	3.93
a	Ø 21.0	Ø 0.83
c	46.0	1.81



Round Flange Cartridge  
50 mL / 2:1 PP/PBT

2:1	mm	inch
l	108.5	4.27
a	Ø 25.0	Ø 0.89
b	Ø 18.0	Ø 0.71
c	46.0	1.81



Round Flange Cartridge  
50 mL / 10:1 PP/PBT

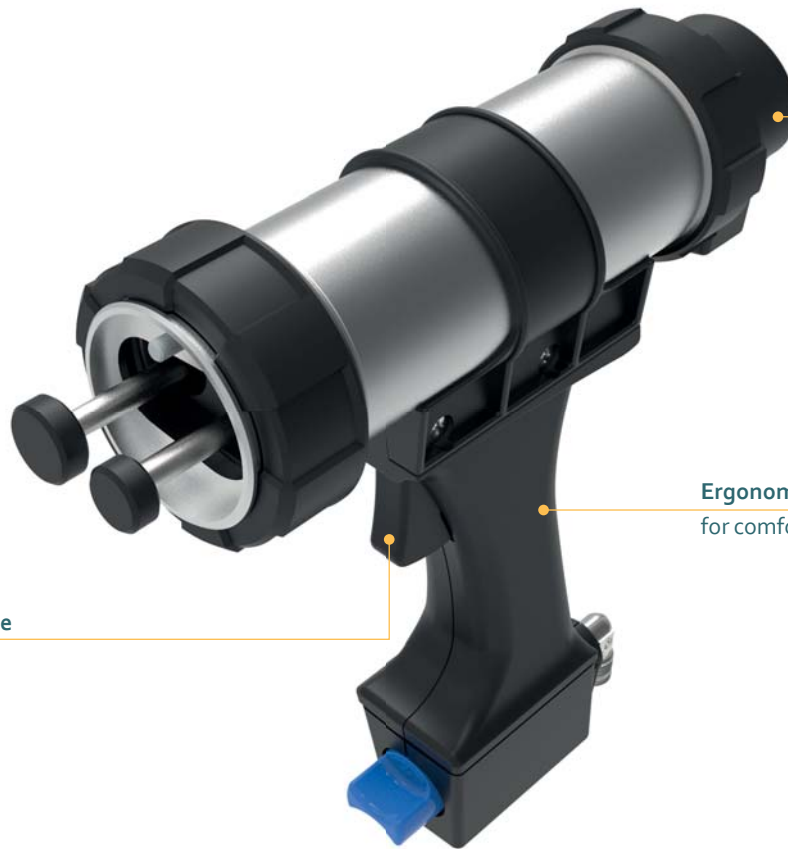
10:1	mm	inch
l	102.0	4.02
a	Ø 30.0	Ø 1.18
b	Ø 10.8	Ø 0.43
c	44.0	1.73

## CONVERSION KITS

## MATCHING ACCESSORIES

# AIRFLOW™ 2 CBA R50

## 50 ML CARTRIDGE DISPENSER



**Quick exhaust**  
prevents run on

**Ergonomic design**  
for comfort and minimum fatigue

**Minimum trigger pressure**  
for effortless use

Model shown: AirFlow 2 CBA R50 50 mL

### FEATURES

- Adjustable air regulator
- Minimum trigger pressure
- Air return as standard
- Quick exhaust valve
- Customization possible

### BENEFITS

- Ensures precise controlled pressure
- For effortless use and minimum fatigue
- Fast, accurate, effortless application
- Prevents run-on
- Customer labelling

### APPLICATIONS



Bonding



Solid  
Surface

### PRODUCT BY RANGE

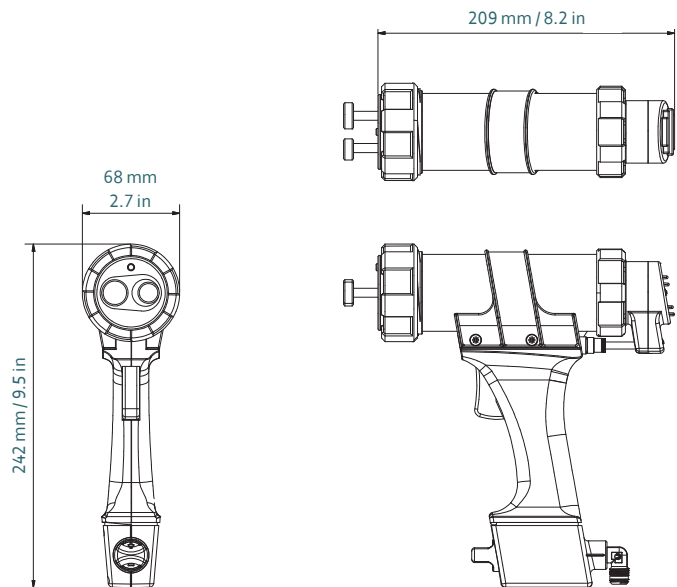


# THE AIRFLOW 2 CBA R50 2-COMPONENT PNEUMATIC DISPENSER OFFERS FAST, ACCURATE AND EFFORTLESS APPLICATION. WHILE THE CARTRIDGE HOUSING GIVES OPTIMAL SUPPORT FOR 50 ML R-TYPE CARTRIDGES.

## SPECIFICATIONS

- Weight: 2.2 kg / 4.81 lbs
- Maximum Thrust: 1.5 kN
- Maximum Pneumatic Pressure: 3.4 bar / 50 psi
- Air Consumption: 40 litres/min
- Handle Material: Glass Fiber Reinforced Nylon
- Cartridge Holder Material: Glass Fiber Reinforced Nylon
- Tool Component Approvals: CE, REACH
- Cartridge Capacity: 50 mL (1.69 oz)
- Cartridge Ratio: 1:1, 2:1, 10:1
- Viscosity: Low
- Standard Color: Black/Silver
- Customized versions on demand

## DIMENSIONS



Part number	Article number	Packaging
DP2C 050-12-150-201	177754 (1:1, 2:1)	10 per Box
DP2C 050-10-150-201	177765 (10:1)	10 per Box

## MATCHING MIXPAC™ CARTRIDGES



A-System/B-System  
50 mL / 1:1 PP/PA

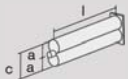


A-System/B-System  
50 mL / 2:1 PP/PA

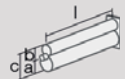


A-System  
50 mL / 10:1 PP/PA

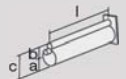
## COMPATIBLE CARTRIDGES



Rectangular Flange Cartridge  
50 mL / 1:1 PP / PBT



Rectangular Flange Cartridge  
50 mL / 2:1 PP / PBT



Rectangular Flange Cartridge  
50 mL / 10:1 PP / PBT

1:1	mm	inch
l	99.7	3.93
a	Ø 21.0	Ø 0.83
c	46.0	1.81

2:1	mm	inch
l	108.5	4.27
a	Ø 25.0	Ø 0.89
b	Ø 18.0	Ø 0.71
c	46.0	1.81

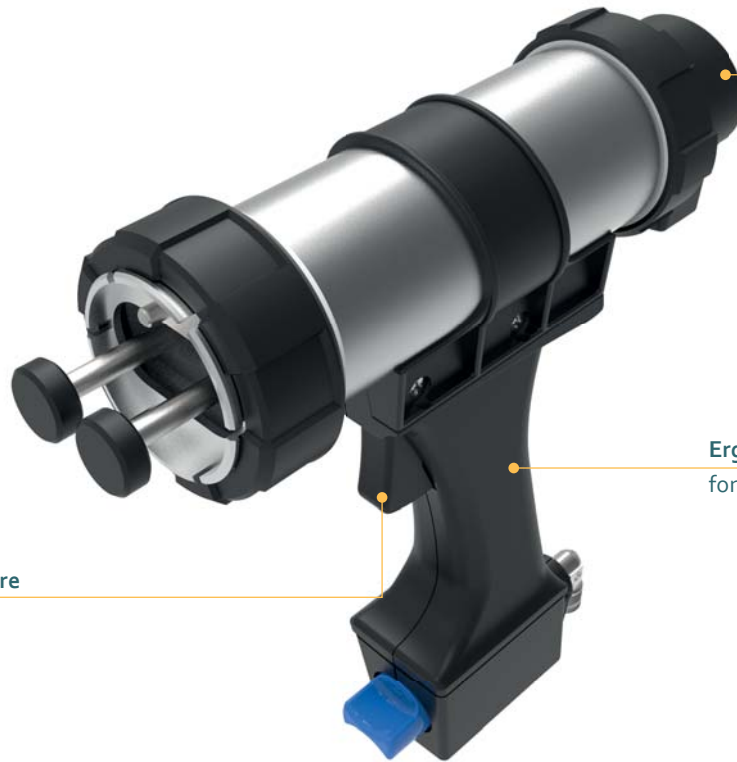
10:1	mm	inch
l	102.0	4.02
a	Ø 30.0	Ø 1.18
b	Ø 10.8	Ø 0.43
c	44.0	1.73

## CONVERSION KITS

## MATCHING ACCESSORIES

# AIRFLOW™ 2 CBA S50

## 50 ML CARTRIDGE DISPENSER



**Quick exhaust**  
prevents run on

**Ergonomic design**  
for comfort and minimum fatigue

**Minimum trigger pressure**  
for effortless use

Model shown: AirFlow 2 CBA S50 50 mL

### FEATURES

- Adjustable air regulator
- Minimum trigger pressure
- Air return as standard
- Quick exhaust valve
- Customization possible

### BENEFITS

- Ensures precise controlled pressure
- For effortless use and minimum fatigue
- Fast, accurate, effortless application
- Prevents run-on
- Customer labelling

### APPLICATIONS



Bonding



Solid  
Surface

### PRODUCT BY RANGE

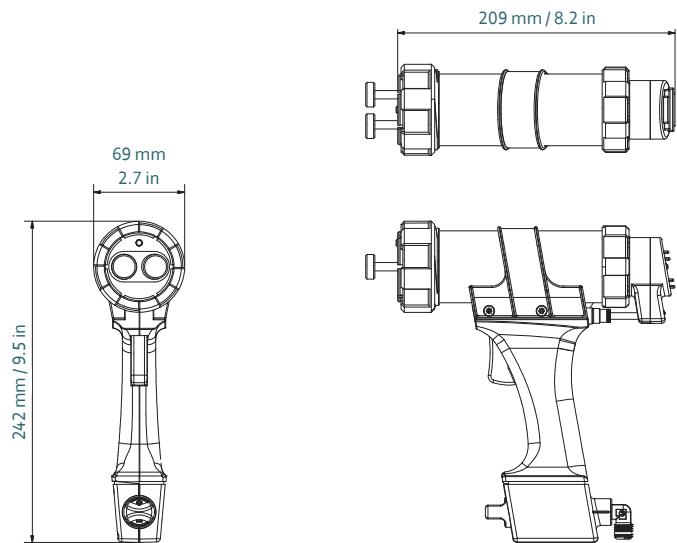


# THE AIRFLOW 2 CBA S50 2-COMPONENT PNEUMATIC DISPENSER IS DESIGNED FOR USE WITH LOW VISCOSITY SEALANTS AND ADHESIVES. WHILE THE CARTRIDGE HOUSING GIVES OPTIMAL SUPPORT FOR 50 ML S-TYPE CARTRIDGES.

## SPECIFICATIONS

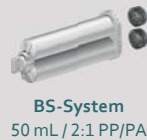
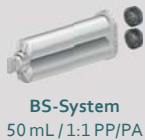
- Weight: 2.2 kg / 4.81 lbs
- Maximum Thrust: 1.5 kN
- Maximum Pneumatic Pressure: 3.4 bar / 50 psi
- Air Consumption: 40 litres/min
- Handle Material: Glass Fiber Reinforced Nylon
- Cartridge Holder Material: Glass Fiber Reinforced Nylon
- Tool Component Approvals: CE, REACH
- Cartridge Capacity: 50 mL (1.69 oz)
- Cartridge Ratio: 1:1, 2:1
- Viscosity: Low
- Standard Color: Black/Silver
- Customized versions on demand

## DIMENSIONS

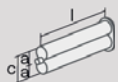


Part number	Article number	Packaging
DP2C S50-01-150-201	177753	10 per Box

## MATCHING MIXPAC™ CARTRIDGES



## COMPATIBLE CARTRIDGES



**Round Flange Cartridge**  
50 mL / 1:1 PP / PBT

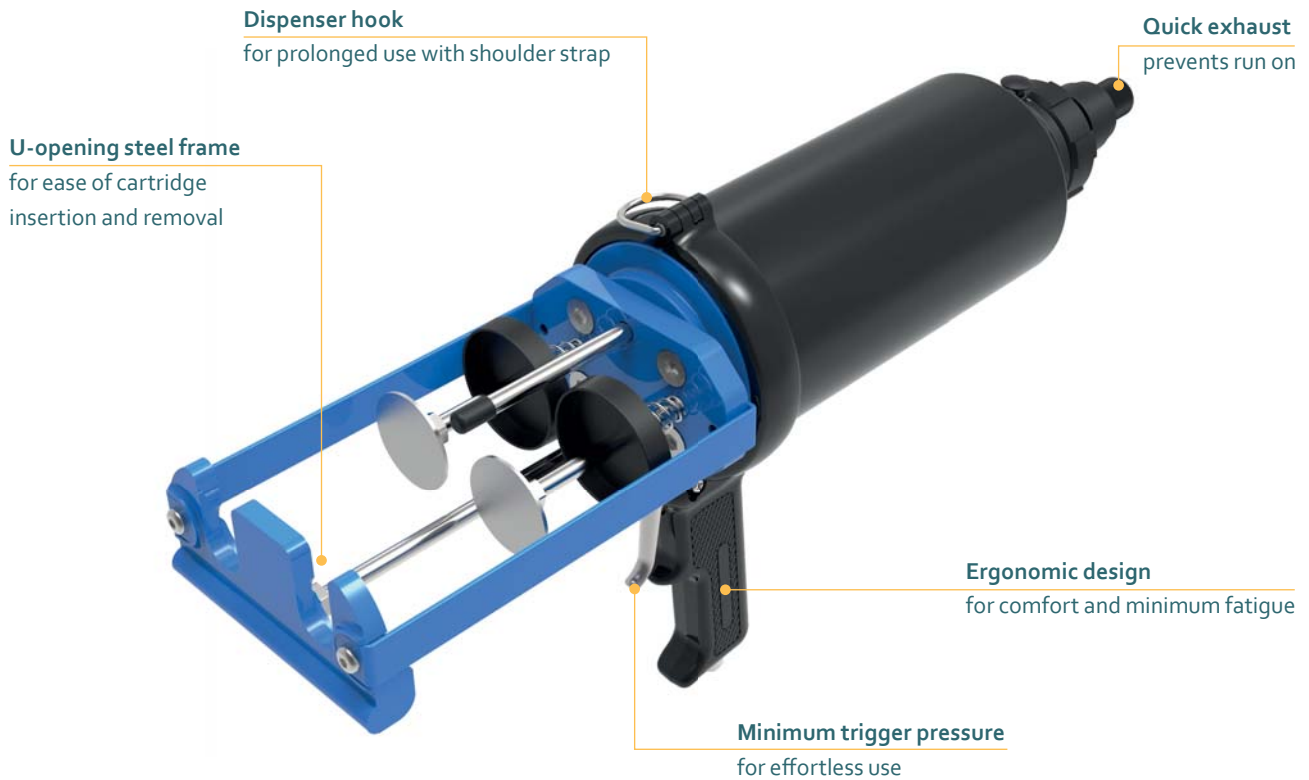
1:1	mm	inch
l	99.7	3.93
a	Ø 21.0	Ø 0.83
c	46.0	1.81

## CONVERSION KITS

## MATCHING ACCESSORIES

# AIRFLOW™ 1 CBA 200C

## 400 ML CARTRIDGE DISPENSER



Model shown: AirFlow 1 CBA 200C 400 mL

### FEATURES

- Air return as standard
- Minimum trigger pressure
- U-opening steel frame
- Quick exhaust valve
- Customization possible

### BENEFITS

- Fast, accurate and effortless application
- For effortless use and minimum fatigue
- Ease of cartridge insertion and removal
- Prevents run-on
- Customer labelling

### APPLICATIONS



### PRODUCT BY RANGE

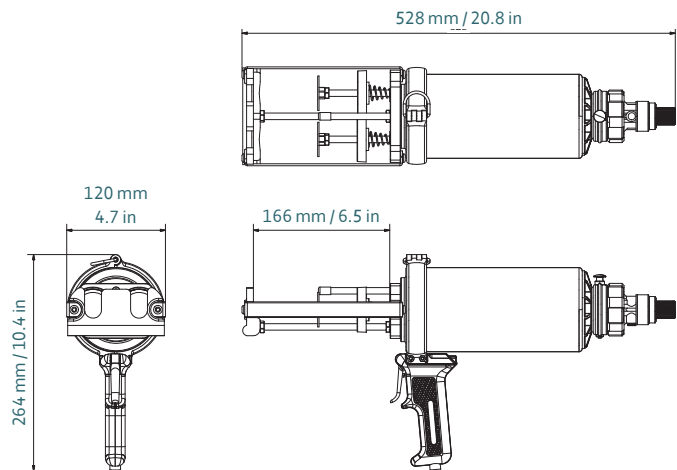


# THE AIRFLOW 1 CBA 200C 2-COMPONENT PNEUMATIC DISPENSER OFFERS AIR RETURN AS STANDARD FOR FAST, ACCURATE AND EFFORTLESS APPLICATION AND MINIMUM TRIGGER PRESSURE FOR EFFORTLESS USE.

## SPECIFICATIONS

- Weight: 2.8 kg / 6.2 lbs
- Frame Length: 166 mm / 6.5 in
- Maximum Thrust: 5 kN
- Maximum Pneumatic Pressure: 6.8 bar / 100 psi
- Air Consumption: 40 litres/min
- Handle Material: Aluminum
- Frame Material: Steel
- Tool Component Approvals: CE, REACH
- Cartridge Capacity: 400 mL (14.1 oz)
- Cartridge Ratio: 1:1
- Viscosity: Medium/High
- Standard Color: Black/Blue
- Customized versions on demand

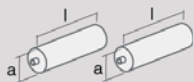
## DIMENSIONS



Part number	Article number	Packaging
DP2C 400-01-500-101	177785 / CBA 200C (US)	1 per Box

## MATCHING MIXPAC™ CARTRIDGES

## COMPATIBLE CARTRIDGES



Aluminum Cartridge  
400 mL (2×200) / 1:1 AL

1:1	mm	inch
l	145.5	5.7
a	Ø 49.0	Ø 2.0

## CONVERSION KITS

## MATCHING ACCESSORIES

Connecting manifold supplied for 2×200 mL cartridges on pages 145.

# AIRFLOW™ 1 CBA 310C

## 620 ML CARTRIDGE DISPENSER

**Dispenser hook**  
for prolonged use with shoulder strap

**Quick exhaust**  
prevents run on



**Ergonomic design**  
for comfort and minimum fatigue

**Minimum trigger pressure**  
for effortless use

Model shown: AirFlow 1 CBA 310C 620 mL

### FEATURES

- Air return as standard
- Minimum trigger pressure
- Quick exhaust valve
- Ergonomic handle design
- Customization possible

### BENEFITS

- Fast, accurate and effortless application
- For effortless use and minimum fatigue
- Prevents run on
- For comfort
- Customer labelling

### APPLICATIONS



### PRODUCT BY RANGE



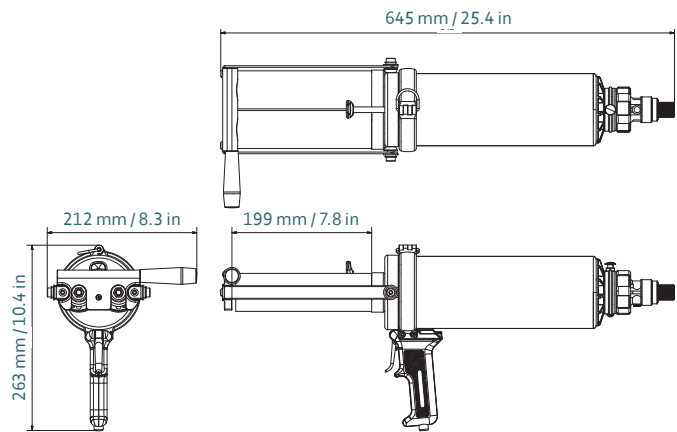


# THE AIRFLOW 1 CBA 310C 2-COMPONENT PNEUMATIC DISPENSER OFFERS AIR RETURN AS STANDARD FOR FAST, ACCURATE AND EFFORTLESS APPLICATION. IN ADDITION THE QUICK EXHAUST VALVE PREVENTS RUN ON ALLOWING FOR CLEAN EFFICIENT DISPENSING.

## SPECIFICATIONS

- Weight: 3.1 kg / 6.8 lbs
- Frame Length: 199 mm / 7.8 in
- Maximum Thrust: 5 kN
- Maximum Pneumatic Pressure: 6.8 bar / 100 psi
- Air Consumption: 40 litres/min
- Handle Material: Aluminum
- Frame Material: Steel
- Tool Component Approvals: CE, REACH
- Cartridge Capacity: 620 mL (21.8 oz)
- Cartridge Ratio: 1:1
- Viscosity: Medium/High
- Standard Color: Black/Blue
- Customized versions on demand

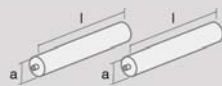
## DIMENSIONS



Part number	Article number	Packaging
DP2C 620-01-500-101	177779 / CBA 310C (US) (plastic cartridge)	1 per Box
DP2C 580-01-500-111	177782 (alu- cartridge)	1 per Box

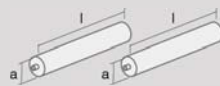
## MATCHING MIXPAC™ CARTRIDGES

### COMPATIBLE CARTRIDGES



Aluminum Cartridge  
620 mL (2 x 310) / 1:1 AL

1:1	mm	inch
l	221	8.7
a	Ø 47.0	Ø 1.9



Aluminum Cartridge  
620 mL (2 x 310) / 1:1

1:1	mm	inch
l	221	8.7
a	Ø 47.0	Ø 1.9

## CONVERSION KITS

—

## MATCHING ACCESSORIES

Connecting manifolds for 177779 on pages 145.

# AIRFLOW™ 1 CBA 310S

## 620 ML SACHET DISPENSER

**Dispenser hook**  
for prolonged use with shoulder strap

**Quick exhaust**  
prevents run on



**Ergonomic design**  
for comfort and minimum fatigue

Model shown: AirFlow 1 CBA 310S 620 mL

### FEATURES

- Air return as standard
- Minimum trigger pressure
- Quick exhaust valve
- Ergonomic handle design
- Customization possible

### BENEFITS

- Fast, accurate and effortless application
- For effortless use and minimum fatigue
- Prevents run on
- For comfort
- Customer labelling

### APPLICATIONS



### PRODUCT BY RANGE

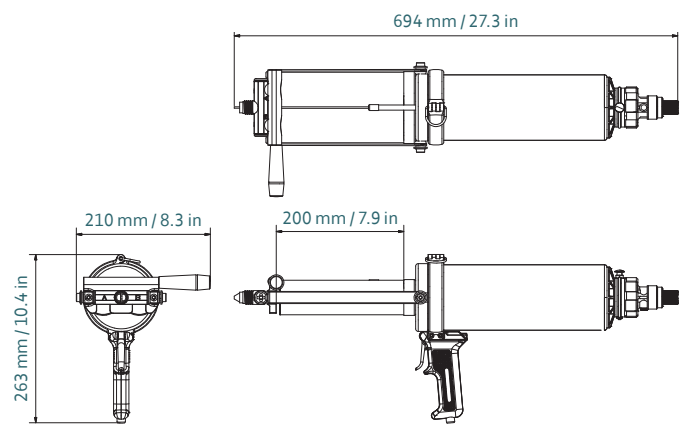


# THE AIRFLOW 1 CBA 310S 2-COMPONENT PNEUMATIC DISPENSER IS DESIGNED FOR USE WITH MEDIUM VISCOSITY SEALANTS AND ADHESIVES AND OFFERS AIR RETURN AS STANDARD FOR FAST, ACCURATE AND EFFORTLESS APPLICATION.

## SPECIFICATIONS

- Weight: 3.1 kg / 6.8 lbs
- Frame Length: 200 mm / 7.9 in
- Maximum Thrust: 5.25 kN
- Maximum Pneumatic Pressure: 6.8 bar / 100 psi
- Air Consumption: 40 litres/min
- Handle Material: Aluminum
- Frame Material: Steel
- Tool Component Approvals: CE, REACH
- Cartridge Capacity: 620 mL (21.8 oz)
- Cartridge Ratio: 1:1
- Viscosity: Medium/High
- Standard Color: Black/Blue
- Customized versions on demand

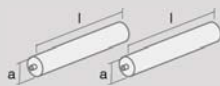
## DIMENSIONS



Part number	Article number	Packaging
DP2C 620-01-500-321	177781 (sachet)	1 per Box

## MATCHING MIXPAC™ CARTRIDGES

## COMPATIBLE CARTRIDGES



Aluminum Sachet  
620 mL (2 x 310) / 1:1 AL

1:1	mm	inch
l	221	8.7
a	Ø 47.0	Ø 1.9

## CONVERSION KITS

## MATCHING ACCESSORIES

Connecting manifolds on pages 145.

# AIRFLOW™ 1 CBA 600S

## 1200 ML SACHET DISPENSER



Model shown: AirFlow 1 CBA 600S 1200 mL

### FEATURES

- Minimum trigger pressure
- Quick exhaust valve
- Ergonomic handle design
- Customization possible

### BENEFITS

- For effortless use and minimum fatigue
- Prevents run on
- For comfort
- Customer labelling

### APPLICATIONS



Bonding

Chemical Anchoring

### PRODUCT BY RANGE



AirFlow 1  
CBA 200C

AirFlow 1  
CBA 310C

AirFlow 1  
CBA 310S

AirFlow 1  
CBA 600S

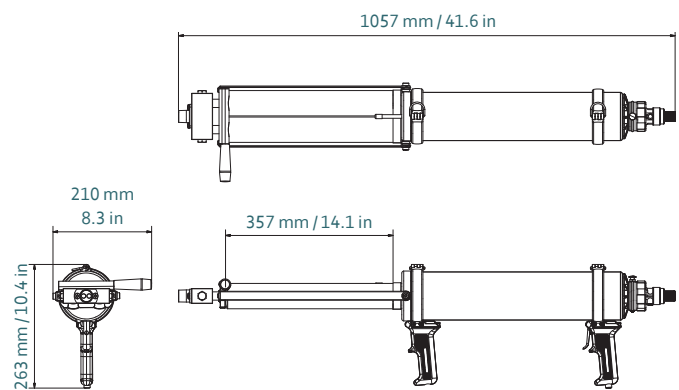
AirFlow 1  
CBA 330B

# THE AIRFLOW 1 CBA 600S 2-COMPONENT PNEUMATIC DISPENSER OFFERS AIR RETURN AS STANDARD FOR FAST, ACCURATE AND EFFORTLESS APPLICATION, WHILE THE QUICK EXHAUST VALVE PREVENTS RUN ON.

## SPECIFICATIONS

- Weight: 3.6 kg / 7.9 lbs
- Frame Length: 357 mm / 14.1 in
- Maximum Thrust: 5.25 kN
- Maximum Pneumatic Pressure: 6.8 bar / 100 psi
- Air Consumption: 40 litres/min
- Handle Material: Aluminum
- Frame Material: Steel
- Tool Component Approvals: CE, REACH
- Sachet Capacity: 1200 mL (42.2 oz)
- Sachet Ratio: 1:1
- Viscosity: Medium/High
- Standard Color: Black/Blue
- Customized versions on demand

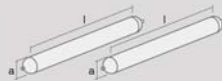
## DIMENSIONS



Part number	Article number	Packaging
DP2C1200-01-525-101	177882 / A600HPS (US)	1 per Box

## MATCHING MIXPAC™ CARTRIDGES

## COMPATIBLE SACHETS



Sachet

1200 mL (2 × 600 mL) / 1:1

1:1	mm	inch
l	335.0	13.2
a	Ø 50.0	Ø 1.97

## CONVERSION KITS

## MATCHING ACCESSORIES

Connecting manifolds available on pages 145.

# AIRFLOW™ 1 CBA 330B

## 330/345/350 ML CARTRIDGE DISPENSER



Model shown: AirFlow 1 CBA 330B 345 mL

### FEATURES

- Air return as standard
- Minimum trigger pressure
- Snap fit cartridge strap
- Quick exhaust valve
- Customization possible

### BENEFITS

- Fast, accurate and effortless application
- For effortless use and minimum fatigue
- For optimal cartridge support
- Prevents run-on
- Customer labelling

### APPLICATIONS



### PRODUCT BY RANGE

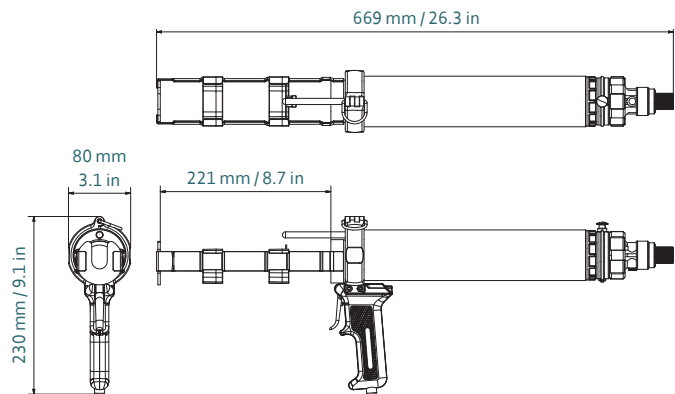


# THE AIRFLOW 1 CBA 330B 2-COMPONENT PNEUMATIC DISPENSER IS DESIGNED FOR USE WITH LOW TO MEDIUM VISCOSITY SEALANTS AND ADHESIVES AND OFFERS AIR RETURN AS STANDARD FOR FAST, ACCURATE AND EFFORTLESS APPLICATION.

## SPECIFICATIONS

- Weight: 1.9 kg / 4.1 lbs
- Frame Length: 221 mm / 8.7 in
- Maximum Thrust: 5 kN
- Maximum Pneumatic Pressure: 6.8 bar / 100 psi
- Air Consumption: 40 litres/min
- Handle Material: Aluminum
- Frame Material: Steel
- Tool Component Approvals: CE, REACH
- Cartridge Capacity: 330 mL (11.6 oz), 345 mL (12.1 oz), 350 mL (12.3 oz)
- Cartridge Ratio: 10:1
- Viscosity: Low/Medium
- Standard Color: Black/Blue
- Customized versions on demand

## DIMENSIONS



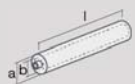
Part number	Article number	Packaging
DP2C 330-10-220-101	177789	1 per Box

## MATCHING MIXPAC™ SIDE-BY-SIDE CARTRIDGES



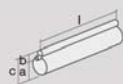
**J-System**  
350 mL / 10:1 PP/PA

## COMPATIBLE SIDE-BY-SIDE CARTRIDGES



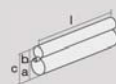
**Plastic Cartridge**  
310 mL / 10:1 PP

10:1	mm	inch
l	218.0	8.58
a	Ø 50.0	Ø 1.97
b	Ø 14.2	Ø 0.5



**Plastic Cartridge**  
330 mL / 10:1 PP

10:1	mm	inch
l	214.0	8.43
a	Ø 49.5	Ø 1.95
b	Ø 17.5	Ø 0.69
c	67.0	2.64



**Plastic Cartridge**  
345 mL / 10:1 PP/PA

10:1	mm	inch
l	215.0	8.46
a	Ø 50.0	Ø 1.97
b	Ø 18.0	Ø 0.71
c	69.0	2.72

## CONVERSION KITS

## MATCHING ACCESSORIES

# AIRFLOW™ 1 CCA 380B

## 380 ML COAXIAL CARTRIDGE DISPENSER



Model shown: AirFlow 1 CCA 380B 380 mL

### FEATURES

- Minimum trigger pressure
- U-opening steel frame / plastic support barrel
- Quick exhaust valve
- Customization possible

### BENEFITS

- For effortless use and minimum fatigue
- Ease of cartridge insertion and removal
- Prevents run-on
- Customer labelling

### APPLICATIONS



### PRODUCT BY RANGE



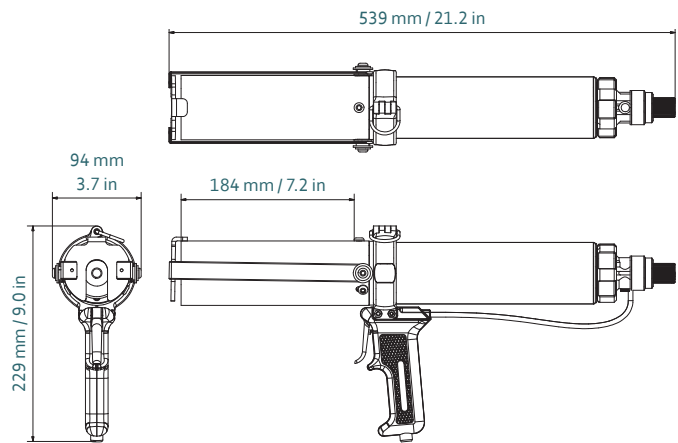


# THE AIRFLOW 1 CCA 380B 2-COMPONENT PNEUMATIC DISPENSER OFFERS FAST, ACCURATE AND EFFORTLESS APPLICATION, WHILE THE U-OPENING STEEL FRAME AND SUPPORT BARREL ALLOWS FOR EASY INSERTION AND REMOVAL OF CARTRIDGES.

## SPECIFICATIONS

- Weight: 1.93 kg / 4.25 lbs
- Frame Length: 184 mm / 7.2 in
- Maximum Thrust: 2.2 kN
- Maximum Pneumatic Pressure: 6.8 bar / 100 psi
- Air Consumption: 40 litres/min
- Handle Material: Epoxy Coated Aluminum
- Frame Material: Epoxy Coated Steel
- Tool Component Approvals: CE, REACH
- Cartridge Capacity: 380 mL / 13 oz
- Cartridge Ratio: 5:1, 10:1
- Viscosity: Medium/High
- Standard Color: Black/Blue
- Customized versions on demand

## DIMENSIONS



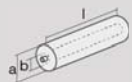
Part number	Article number	Packaging
DP2C 380-10-220-101	178053 / 380LP10 (US) (10:1)	1 per Box
DP2C 380-35-220-101	178052 (5:1)	1 per Box

## MATCHING MIXPAC™ COAXIAL CARTRIDGES

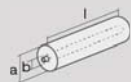


**Q-System Cartridge**  
380 mL 10:1 / PA

## COMPATIBLE COAXIAL CARTRIDGES



**Plastic Cartridge**  
380 mL 5:1 / PP



**Plastic Cartridge**  
380 mL 10:1 / PP

	mm	inch
l	183.0	7.2
a	Ø 63.0	Ø 2.4
b	Ø 25.2	Ø 1.0

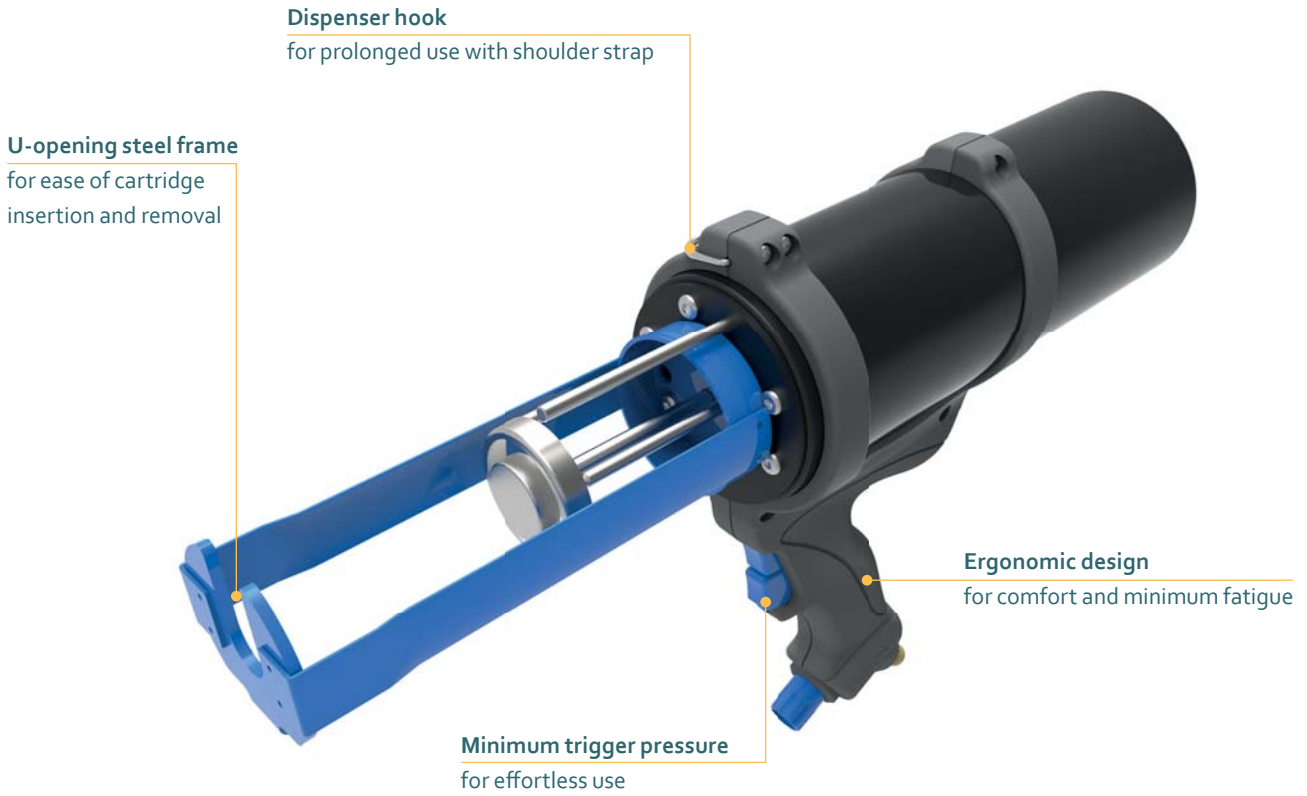
	mm	inch
l	183.0	7.2
a	Ø 63.0	Ø 2.4
b	Ø 18.0	Ø 0.7

## CONVERSION KITS

## MATCHING ACCESSORIES

# AIRFLOW™ 3 CCA 380A

## 380 ML CARTRIDGE DISPENSER



Model shown: AirFlow 3 CCA 380A 380 mL

### FEATURES

- Air return as standard
- Minimum trigger pressure
- U-opening steel frame
- Quick exhaust valve
- Customization possible

### BENEFITS

- Fast, accurate and effortless application
- For effortless use and minimum fatigue
- Ease of cartridge insertion and removal
- Prevents run-on
- Customer labelling

### APPLICATIONS



### PRODUCT BY RANGE

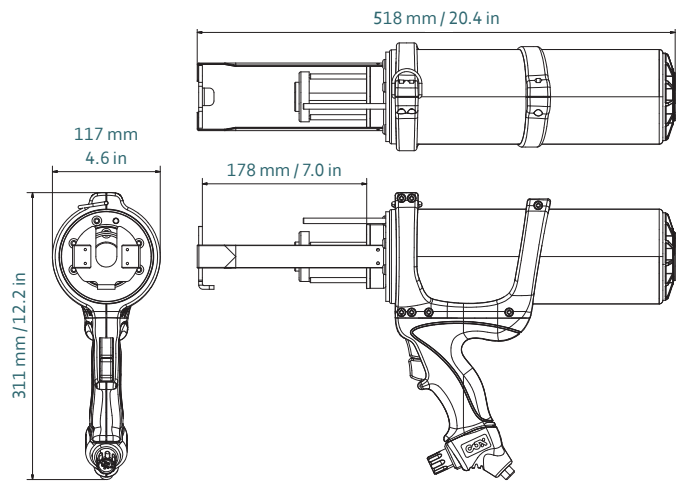


# THE AIRFLOW 3 CCA 380A 2-COMPONENT PNEUMATIC DISPENSER IS DESIGNED FOR USE WITH MEDIUM TO HIGH VISCOSITY SEALANTS AND ADHESIVES. IT OFFERS AIR RETURN AS STANDARD FOR FAST, ACCURATE AND EFFORTLESS APPLICATION.

## SPECIFICATIONS

- Weight: 2.5 kg / 5.5 lbs
- Frame Length: 178 mm / 7.0 in
- Maximum Thrust: 5 kN
- Maximum Pneumatic Pressure: 6.8 bar / 100 psi
- Air Consumption: 40 litres/min
- Handle Material: Glass filled nylon
- Frame Material: Steel
- Tool Component Approvals: CE, REACH
- Cartridge Capacity: 380 mL (13.4 oz)
- Cartridge Ratio: 1:1, 10:1
- Viscosity: Medium/High
- Standard Color: Black/Blue
- Customized versions on demand

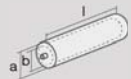
## DIMENSIONS



Part number	Article number	Packaging
DP2C 380-01-500-301	181394 / A380HP/1 (US) (1:1)	1 per Box
DP2C 380-10-500-301	181396 / A380HP/10 (US) (10:1)	1 per Box

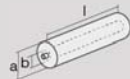
## MATCHING MIXPAC™ CARTRIDGES

## COMPATIBLE COAXIAL CARTRIDGES



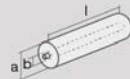
Plastic Cartridge  
380 mL / 1:1 PP/PA

1:1	mm	inch
l	183.0	7.2
a	Ø 63.0	Ø 2.48
b	Ø 41.0	Ø 1.61



Plastic Cartridge  
380 mL 5:1 / PP

	mm	inch
l	183.0	7.2
a	Ø 63.0	Ø 2.4
b	Ø 25.2	Ø 1.0



Plastic Cartridge  
380 mL 10:1 / PP

	mm	inch
l	183.0	7.2
a	Ø 63.0	Ø 2.4
b	Ø 18.0	Ø 0.7

## CONVERSION KITS

## MATCHING ACCESSORIES

# AIRFLOW™ 1 CCA 380A

## 380 ML CARTRIDGE DISPENSER



Model shown: AirFlow 1 CCA 380A 380 mL

### FEATURES

- Air return as standard
- Adjustable air regulator
- Minimum trigger pressure
- U-opening steel frame
- Quick exhaust valve
- Customization possible

### BENEFITS

- Fast, accurate and effortless application
- Ensures precise controlled pressure
- For effortless use and minimum fatigue
- Ease of cartridge insertion and removal
- Prevents run-on
- Customer labelling

### APPLICATIONS



Bonding

Chemical Anchoring

### PRODUCT BY RANGE

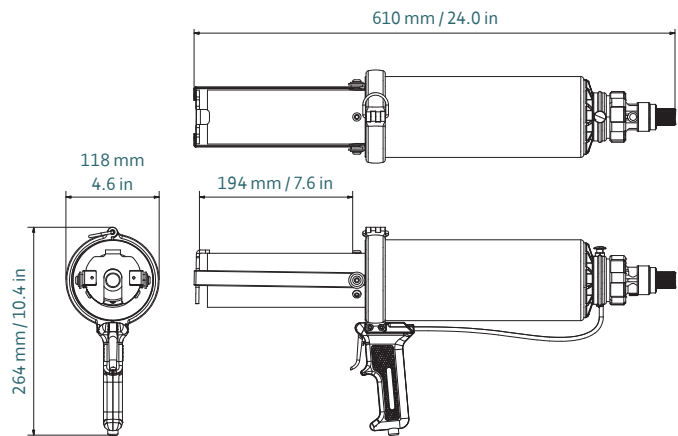


# THE AIRFLOW 1 CCA 380A 2-COMPONENT PNEUMATIC DISPENSER OFFERS AIR RETURN AS STANDARD FOR FAST, ACCURATE AND EFFORTLESS APPLICATION, WHILE THE ADJUSTABLE AIR REGULATOR ENSURES PRECISE AND CONTROLLED PRESSURE.

## SPECIFICATIONS

- Weight: 2.5 kg / 5.5 lbs
- Frame Length: 194 mm / 7.6 in
- Maximum Thrust: 5.25 kN
- Maximum Pneumatic Pressure: 6.8 bar / 100 psi
- Air Consumption: 40 litres/min
- Handle Material: Epoxy Coated Aluminum
- Frame Material: Epoxy Coated Steel
- Tool Component Approvals: CE, REACH
- Cartridge Capacity: 380 mL (13.4 oz)
- Cartridge Ratio: 1:1, 3.5/5:1, 10:1
- Viscosity: Medium/High
- Standard Color: Black/Blue
- Customized versions on demand

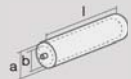
## DIMENSIONS



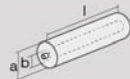
Part number	Article number	Packaging
DP2C380-01-500-101	178060 (1:1)	1 per Box
DP2C380-35-500-101	178062 (3.5/5:1)	1 per Box
DP2C380-10-500-101	178064 (10:1)	1 per Box

## MATCHING MIXPAC™ CARTRIDGES

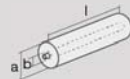
## COMPATIBLE COAXIAL CARTRIDGES



Plastic Cartridge  
380 mL / 1:1 PP/PA



Plastic Cartridge  
380 mL 5:1 / PP



Plastic Cartridge  
380 mL 10:1 / PP

1:1	mm	inch
l	183.0	7.2
a	Ø 63.0	Ø 2.48
b	Ø 41.0	Ø 1.61

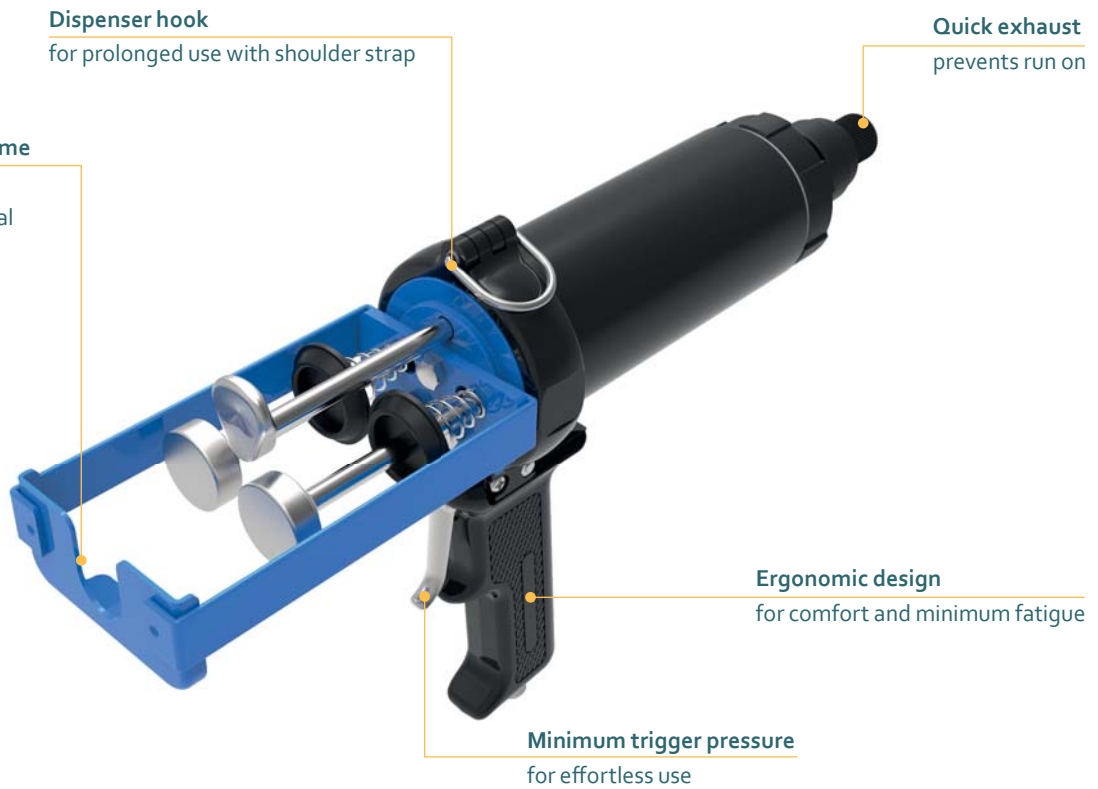
	mm	inch
l	183.0	7.2
a	Ø 63.0	Ø 2.4
b	Ø 25.2	Ø 1.0

	mm	inch
l	183.0	7.2
a	Ø 63.0	Ø 2.4
b	Ø 18.0	Ø 0.7

## CONVERSION KITS

## MATCHING ACCESSORIES

# AIRFLOW™ 1 PPA 75 HP 150 ML CARTRIDGE DISPENSER



Model shown: AirFlow 1 PPA 75 HP 150 mL

## FEATURES

- Minimum trigger pressure
- U-opening steel frame
- Quick exhaust valve
- Customization possible

## BENEFITS

- For effortless use and minimum fatigue
- Ease of cartridge insertion and removal
- Prevents run-on
- Customer labelling

## APPLICATIONS



Bonding

Chemical  
Anchoring

## PRODUCT BY RANGE



AirFlow 1  
PPA 75 HP

AirFlow 1  
PPA 150 HP

AirFlow 3  
PPA 150B MR

AirFlow 1  
PPA 300B

AirFlow 1  
PPA 300A

AirFlow 3  
PPA 300A

AirFlow 1  
PPA 600A

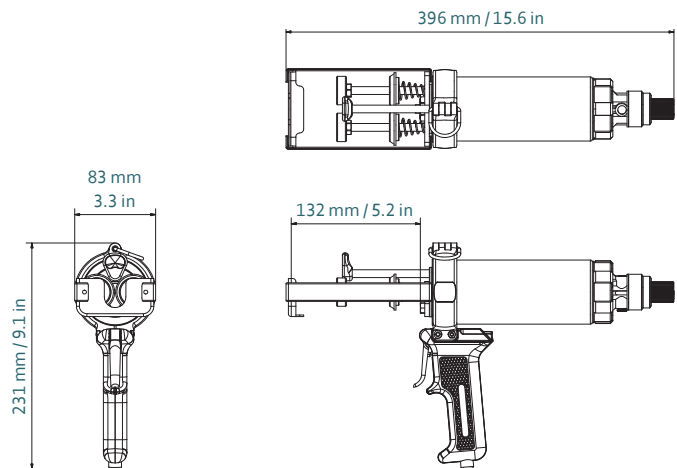
AirFlow 1  
PPA 1500

# THE AIRFLOW 1 PPA 75 HP 2-COMPONENT PNEUMATIC DISPENSER OFFERS FAST, ACCURATE AND EFFORTLESS APPLICATION, WHILE THE U-OPENING STEEL FRAME ALLOWS FOR EASY INSERTION AND REMOVAL OF CARTRIDGES.

## SPECIFICATIONS

- Weight: 1.6 kg / 3.4 lbs
- Frame Length: 132 mm / 5.2 in
- Maximum Thrust: 2.2 kN
- Maximum Pneumatic Pressure: 6.8 bar / 100 psi
- Air Consumption: 40 litres/min
- Handle Material: Aluminum
- Frame Material: Steel
- Tool Component Approvals: CE, REACH
- Cartridge Capacity: 150 mL (5.3 oz)
- Cartridge Ratio: 1:1
- Viscosity: Low/Medium
- Standard Color: Black/Blue
- Customized versions on demand

## DIMENSIONS



Part number	Article number	Packaging
DP2C150-01-220-101	177847 / A75LP (US)	1 per Box

## MATCHING MIXPAC™ CARTRIDGES

## COMPATIBLE SIDE-BY-SIDE CARTRIDGES



Plastic Cartridge  
150 mL / 1:1 PP

1:1	mm	inch
l	115.0	4.6
a	Ø 37.0	Ø 1.46
c	76.0	2.07

## CONVERSION KITS

## MATCHING ACCESSORIES

# AIRFLOW™ 1 PPA 150 HP

## 150/225/300 ML CARTRIDGE DISPENSER



Model shown: AirFlow 1 PPA 150 HP 300 mL

### FEATURES

- Minimum trigger pressure
- Snap fit cartridge strap
- Quick exhaust valve
- Customization possible

### BENEFITS

- For effortless use and minimum fatigue
- For optimal cartridge support
- Prevents run-on
- Customer labelling

### APPLICATIONS



### PRODUCT BY RANGE



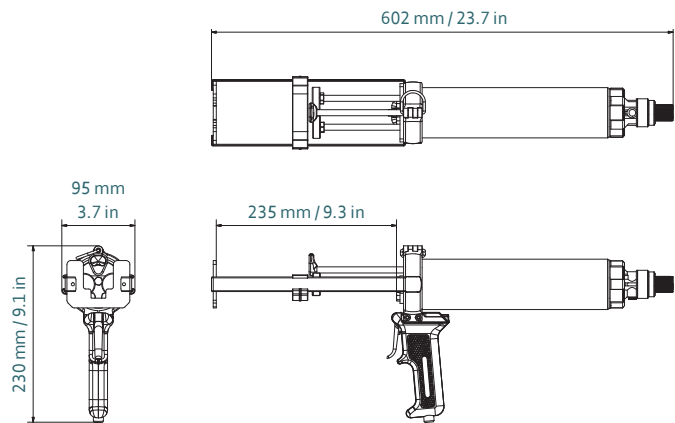


# THE AIRFLOW 1 PPA 150 HP 2-COMPONENT PNEUMATIC DISPENSER IS DESIGNED FOR USE WITH LOW TO MEDIUM VISCOSITY SEALANTS AND AHESIVES. IT OFFERS FAST, ACCURATE AND EFFORTLESS APPLICATION, WHILE THE QUICK EXHAUST VALVE PREVENTS RUN ON.

## SPECIFICATIONS

- Weight: 1.9 kg / 4.1 lbs
- Frame Length: 235 mm / 9.3 in
- Maximum Thrust: 2.2 kN
- Maximum Pneumatic Pressure: 6.8 bar / 100 psi
- Air Consumption: 40 litres/min
- Handle Material: Aluminum
- Frame Material: Steel
- Tool Component Approvals: CE, REACH
- Cartridge Capacity: 300 mL (10.5 oz), 225 mL (7.9 oz), 150 mL (5.25 oz)
- Cartridge Ratio: 1:1  
(Conversion kit 225 mL 2:1, 150 ml 1:1)
- Viscosity: Low/Medium
- Standard Color: Black/Blue
- Customized versions on demand

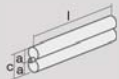
## DIMENSIONS



Part number	Article number	Packaging
DP2C 300-12-220-101	177856 / A150LP/1 (US)	1 per Box

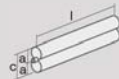
## MATCHING MIXPAC™ CARTRIDGES

## COMPATIBLE SIDE-BY-SIDE CARTRIDGES



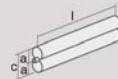
Plastic Cartridge  
300 mL / 1:1 PP

1:1	mm	inch
l	217.0	8.54
a	Ø 34.0	Ø 1.34
c	78.2	3.08



Plastic Cartridge  
150 mL (75 mL + 75 mL) / 1:1 PP

1:1	mm	inch
l	217.0	8.54
a	Ø 34.0	Ø 1.34
c	78.2	3.08



Plastic Cartridge  
225 mL (150 + 75 mL) / 2:1 PP

2:1	mm	inch
l	217.0	8.54
a	Ø 34.0	Ø 1.34
c	78.2	3.08

## CONVERSION KITS

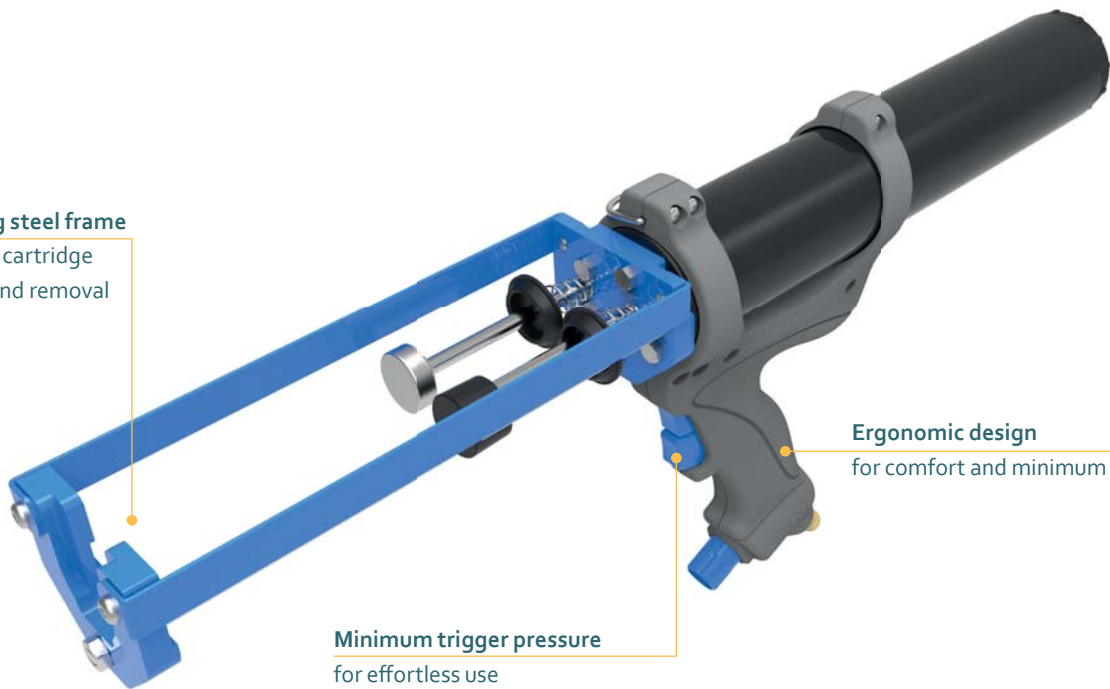
Plastic manifold see on pages 144.

## MATCHING ACCESSORIES

# AIRFLOW™ 3 PPA 150B MR

## 225/300 ML CARTRIDGE DISPENSER

**U-opening steel frame**  
for ease of cartridge  
insertion and removal



**Ergonomic design**  
for comfort and minimum fatigue

**Minimum trigger pressure**  
for effortless use

Model shown: AirFlow 3 PPA 150B MR 300 mL

### FEATURES

- Air return as standard
- Minimum trigger pressure
- U-opening steel frame
- Quick exhaust valve
- Quiet operation
- Customization possible

### BENEFITS

- Fast, accurate and effortless application
- For effortless use and minimum fatigue
- Ease of cartridge insertion and removal
- Prevents run-on
- Less than 70 dB
- Customer labelling

### APPLICATIONS



### PRODUCT BY RANGE

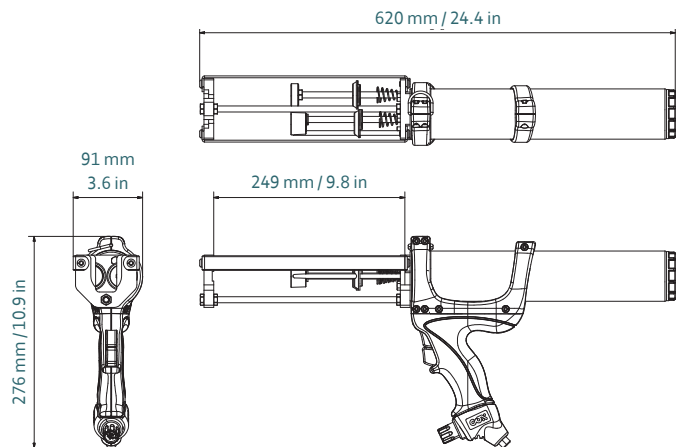


# THE AIRFLOW 3 PPA 150B MR 2-COMPONENT PNEUMATIC DISPENSER IS DESIGNED FOR USE WITH LOW TO MEDIUM VISCOSITY SEALANTS AND ADHESIVES. WHILE THE U-OPENING STEEL FRAME ALLOWS FOR EASY INSERTION AND REMOVAL OF CARTRIDGES.

## SPECIFICATIONS

- Weight: 1.9 kg / 4.1 lbs
- Frame Length: 249 mm / 9.8 in
- Maximum Thrust: 2.2 kN
- Maximum Pneumatic Pressure: 6.8 bar / 100 psi
- Air Consumption: 40 litres/min
- Handle Material: Glass Filled Nylon
- Frame Material: Steel
- Tool Component Approvals: CE, REACH
- Cartridge Capacity: 225 mL (7.9 oz), 300 mL (10.5 oz)
- Cartridge Ratio: 1:1, 2:1 (conversion kit)
- Viscosity: Low/Medium
- Standard Color: Black/Blue
- Customized versions on demand

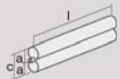
## DIMENSIONS



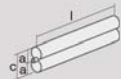
Part number	Article number	Packaging
DP2C 300-01-220-301	181365 / 181366 (US)	1 per Box

## MATCHING MIXPAC™ CARTRIDGES

## COMPATIBLE SIDE-BY-SIDE CARTRIDGES



Plastic Cartridge  
300 mL / 1:1 PP



Plastic Cartridge  
300 mL / 2:1 PP

1:1	mm	inch
l	217.0	8.54
a	Ø 34.0	Ø 1.34
c	78.2	3.08

2:1	mm	inch
l	217.0	8.54
a	Ø 36.0	Ø 1.42
b	Ø 26.5	Ø 1.04
c	52.5	2.07

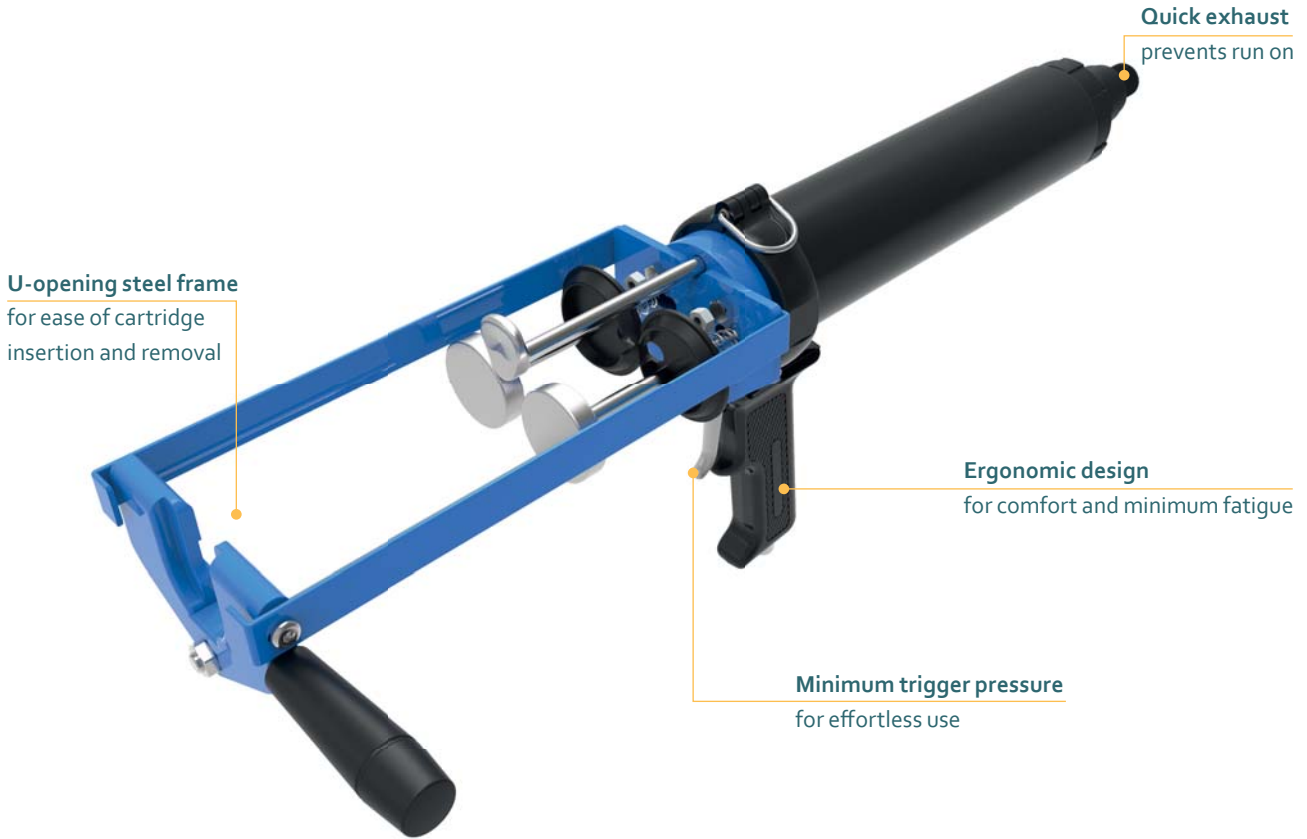
## CONVERSION KITS

Conversion kit included

## MATCHING ACCESSORIES

# AIRFLOW™ 1 PPA 300B

## 600 ML CARTRIDGE DISPENSER



Model shown: AirFlow 1 PPA 300B 300 mL

### FEATURES

- Air return as standard
- Minimum trigger pressure
- U-opening steel frame
- Quick exhaust valve
- Quiet operation
- Customization possible

### BENEFITS

- Fast, accurate and effortless application
- For effortless use and minimum fatigue
- Ease of cartridge insertion and removal
- Prevents run-on
- Less than 70 dB
- Customer labelling

### APPLICATIONS



Bonding

Chemical Anchoring

### PRODUCT BY RANGE



AirFlow 1  
PPA 75 HP

AirFlow 1  
PPA 150 HP

AirFlow 3  
PPA 150B MR

AirFlow 1  
PPA 300B

AirFlow 1  
PPA 300A

AirFlow 3  
PPA 300A

AirFlow 1  
PPA 600A

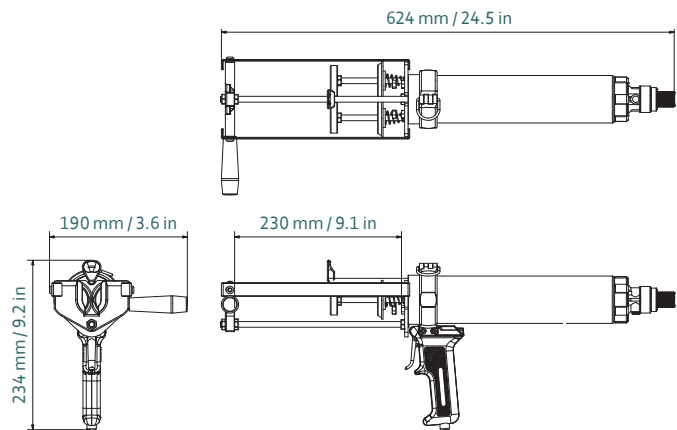
AirFlow 1  
PPA 1500

# THE AIRFLOW 1 PPA 300B 2-COMPONENT PNEUMATIC DISPENSER IS DESIGNED FOR USE WITH LOW TO MEDIUM VISCOSITY SEALANTS AND AHESIVES. IT OFFERS FAST, ACCURATE AND EFFORTLESS APPLICATION, WHILE THE QUICK EXHAUST VALVE PREVENTS RUN ON.

## SPECIFICATIONS

- Weight: 1.9 kg / 4.1 lbs
- Frame Length: 230 mm / 9.1 in
- Maximum Thrust: 2.2 kN
- Maximum Pneumatic Pressure: 6.8 bar / 100 psi
- Air Consumption: 40 litres/min
- Handle Material: Glass Filled Nylon
- Frame Material: Steel
- Tool Component Approvals: CE, REACH
- Cartridge Capacity: 600 mL (20.3 oz)
- Cartridge Ratio: 1:1
- Viscosity: Low/Medium
- Standard Color: Black/Blue
- Customized versions on demand

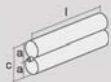
## DIMENSIONS



Part number	Article number	Packaging
DP2C 600-01-220-101	177877	1 per Box

## MATCHING MIXPAC™ CARTRIDGES

## COMPATIBLE SIDE-BY-SIDE CARTRIDGES



Plastic Cartridge  
600 mL / 1:1 PP

1:1	mm	inch
l	215.0	8.46
a	Ø 49.3	Ø 1.94
c	98.5	3.88

## CONVERSION KITS

## MATCHING ACCESSORIES

# AIRFLOW™ 1 PPA 300A

## 375/450/600 ML CARTRIDGE DISPENSER



Model shown: AirFlow 1 PPA 300A 600 mL

### FEATURES

- Minimum trigger pressure
- U-opening steel frame
- Quick exhaust valve
- Customization possible

### BENEFITS

- For effortless use and minimum fatigue
- Ease of cartridge insertion and removal
- Prevents run-on
- Customer labelling

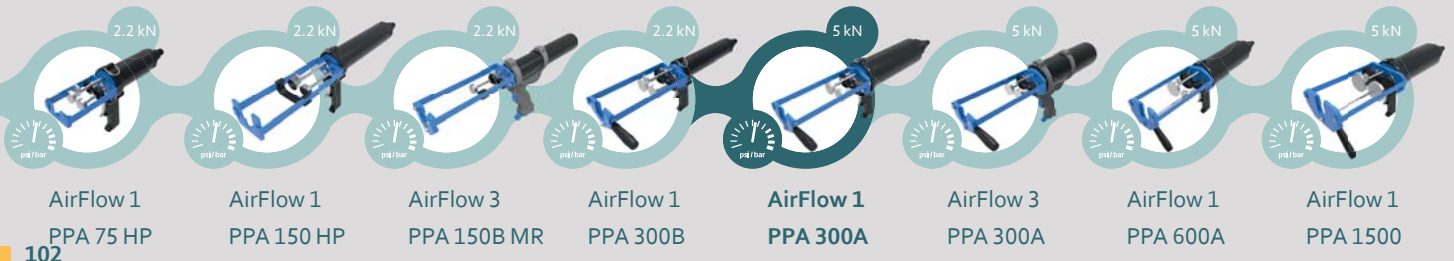
### APPLICATIONS



Bonding

Chemical Anchoring

### PRODUCT BY RANGE



AirFlow 1  
PPA 75 HP

AirFlow 1  
PPA 150 HP

AirFlow 3  
PPA 150B MR

AirFlow 1  
PPA 300B

AirFlow 1  
PPA 300A

AirFlow 3  
PPA 300A

AirFlow 1  
PPA 600A

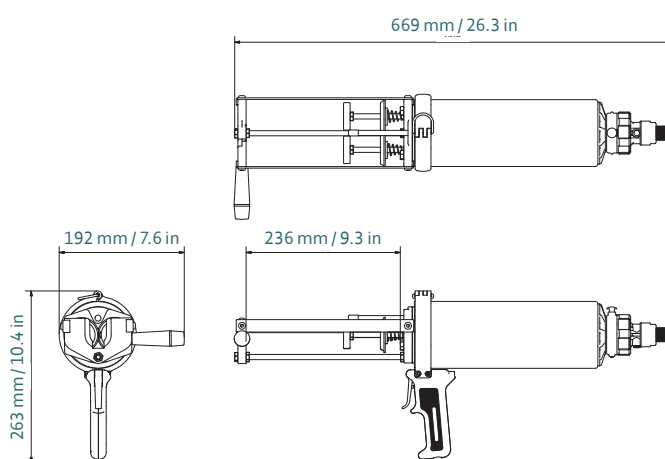
AirFlow 1  
PPA 1500

# THE AIRFLOW 1 PPA 300A 2-COMPONENT PNEUMATIC DISPENSER OFFERS FAST, ACCURATE AND EFFORTLESS APPLICATION, WHILE THE QUICK EXHAUST VALVE PREVENTS RUN ON.

## SPECIFICATIONS

- Weight: 3.3 kg / 7.2 lbs
- Frame Length: 236 mm / 9.3 in
- Maximum Thrust: 5 kN
- Maximum Pneumatic Pressure: 6.8 bar / 100 psi
- Air Consumption: 40 litres/min
- Handle Material: Aluminum
- Frame Material: Steel
- Tool Component Approvals: CE, REACH
- Cartridge Capacity: 375 mL (13.2 oz), 450 mL (15.8 oz), 600 mL (21.1 oz)
- Cartridge Ratio: 1:1, 2:1, 4:1
- Viscosity: Medium/High
- Standard Color: Black/Blue
- Customized versions on demand

## DIMENSIONS

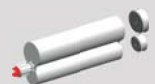


Part number	Article number	Packaging
DP2C 600-01-500-101	177862 (1:1) / A300HP/1 (US)	1 per Box
DP2C 600-01-500-102	177865 (2:1)	1 per Box
DP2C 600-04-500-103	177867 (4:1)	1 per Box

## MATCHING MIXPAC SIDE-BY-SIDE CARTRIDGES



**J-System**  
600 mL / 1:1 PP

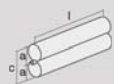


**J-System**  
450 mL / 2:1 PP/PA

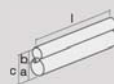


**ecopaCC**  
600 mL / 1:1 PP/PA

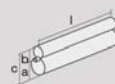
## COMPATIBLE SIDE-BY-SIDE CARTRIDGES



**Plastic Cartridge**  
600 mL / 1:1 PP



**Plastic Cartridge**  
450 mL / 2:1 PP



**Plastic Cartridge**  
375 mL / 4:1 PP

1:1	mm	inch
l	215.0	8.46
a	Ø 49.3	Ø 1.94
c	98.5	3.88

2:1	mm	inch
l	215.0	8.46
a	Ø 49.5	Ø 1.95
b	Ø 36.2	Ø 1.43
c	86.0	3.39

4:1	mm	inch
l	215.0	8.46
a	Ø 49.3	Ø 1.94
b	Ø 26.7	Ø 1.05
c	76.0	2.99

## CONVERSION KITS

Plastic manifold see on pages 144.

## MATCHING ACCESSORIES

—

# AIRFLOW™ 3 PPA 300A

## 375/450/600 ML CARTRIDGE DISPENSER



Model shown: AirFlow 3 PPA 300A 600 mL

### FEATURES

- Air return as standard
- Minimum trigger pressure
- U-opening steel frame
- Quick exhaust valve
- Quiet operation
- Customization possible

### BENEFITS

- Fast, accurate and effortless application
- For effortless use and minimum fatigue
- Ease of cartridge insertion and removal
- Prevents run-on
- Less than 70 dB
- Customer labelling

### APPLICATIONS



Bonding

Chemical Anchoring

### PRODUCT BY RANGE



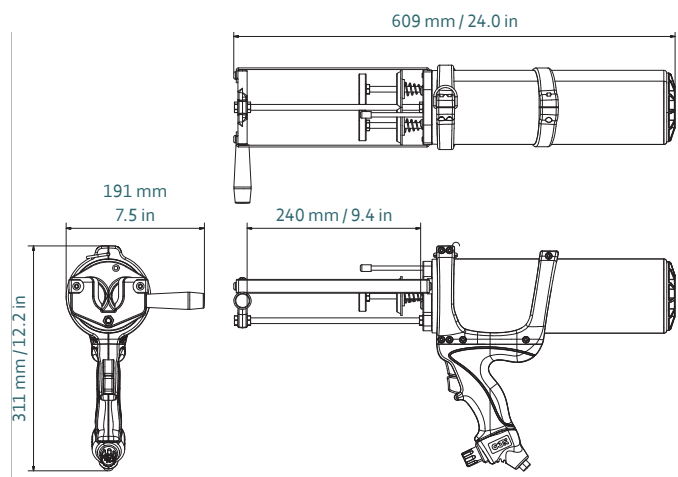


# THE AIRFLOW 3 PPA 300A 2-COMPONENT PNEUMATIC DISPENSER WITH QUIET OPERATION – LESS THAN 70DB AND AIR RETURN AS STANDARD FOR FAST, ACCURATE AND EFFORTLESS APPLICATION.

## SPECIFICATIONS

- Weight: 3.3 kg / 7.2 lbs
- Frame Length: 240 mm / 9.4 in
- Maximum Thrust: 5 kN
- Maximum Pneumatic Pressure: 6.8 bar / 100 psi
- Air Consumption: 40 litres/min
- Handle Material: Glass filled nylon
- Frame Material: Steel
- Tool Component Approvals: CE, REACH
- Cartridge Capacity: 375 mL (13.2 oz), 450 mL (15.8 oz), 600 mL (21.1 oz)
- Cartridge Ratio: 1:1, 2:1, 4:1
- Viscosity: Medium/High
- Standard Color: Black/Blue
- Customized versions on demand

## DIMENSIONS

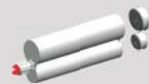


Part number	Article number	Packaging
DP2C 600-01-500-301	181368 / A300HP/1-S3 (US)	1 per Box

## MATCHING MIXPAC SIDE-BY-SIDE CARTRIDGES



**J-System**  
600 mL / 1:1 PP

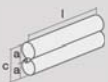


**J-System**  
450 mL / 2:1 PP/PA

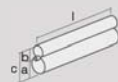


**ecopaCC**  
600 mL / 1:1 PP/PA

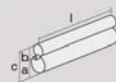
## COMPATIBLE SIDE-BY-SIDE CARTRIDGES



**Plastic Cartridge**  
600 mL / 1:1 PP



**Plastic Cartridge**  
450 mL / 2:1 PP



**Plastic Cartridge**  
375 mL / 4:1 PP

1:1	mm	inch
l	215.0	8.46
a	Ø 49.3	Ø 1.94
c	98.5	3.88

2:1	mm	inch
l	215.0	8.46
a	Ø 49.5	Ø 1.95
b	Ø 36.2	Ø 1.43
c	86.0	3.39

4:1	mm	inch
l	215.0	8.46
a	Ø 49.3	Ø 1.94
b	Ø 26.7	Ø 1.05
c	76.0	2.99

## CONVERSION KITS

Conversion kit included.

## MATCHING ACCESSORIES

—

# AIRFLOW™ 1 PPA 600A

## 750/900/1200 ML CARTRIDGE DISPENSER



Model shown: AirFlow 1 PPA 600A 750 mL

### FEATURES

- Minimum trigger pressure
- U-opening steel frame
- Quick exhaust valve
- Customization possible

### BENEFITS

- For effortless use and minimum fatigue
- Ease of cartridge insertion and removal
- Prevents run-on
- Customer labelling

### APPLICATIONS



### PRODUCT BY RANGE

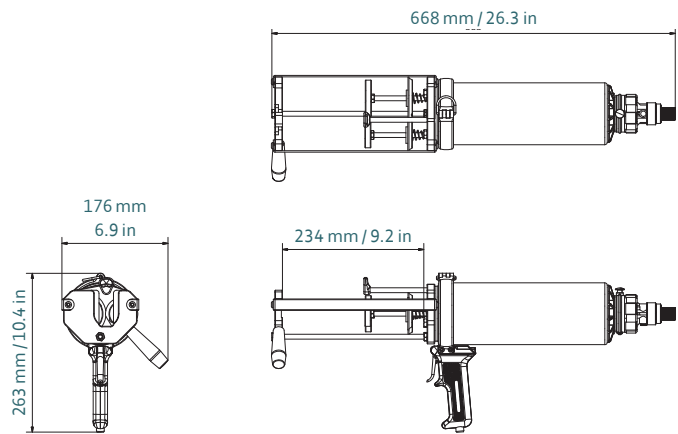


# THE AIRFLOW 1 PPA 600A 2-COMPONENT PNEUMATIC DISPENSER DESIGNED FOR USE WITH MEDIUM TO HIGH VISCOSITY SEALANTS AND ADHESIVES. IT OFFERS FAST, ACCURATE AND EFFORTLESS APPLICATION, WHILE THE QUICK EXHAUST VALVE PREVENTS RUN ON.

## SPECIFICATIONS

- Weight: 3.6 kg / 7.9 lbs
- Frame Length: 234 mm / 9.3 in
- Maximum Thrust: 5 kN
- Maximum Pneumatic Pressure: 6.8 bar / 100 psi
- Air Consumption: 40 litres/min
- Handle Material: Aluminum
- Frame Material: Steel
- Tool Component Approvals: CE, REACH
- Cartridge Capacity: 750 mL (26.4 oz), 900 mL (31.7 oz), 1200 mL (42.0 oz)
- Cartridge Ratio: 1:1, 2:1, 4:1
- Viscosity: Medium/High
- Standard Color: Black/Blue
- Customized versions on demand

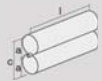
## DIMENSIONS



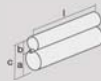
Part number	Article number	Packaging
DP2C1200-01-500-111	177886 / A600HP/1 (US)	1 per Box
DP2C1200-02-500-101	177883 / A600HP/2 (US)	1 per Box
DP2C1200-04-500-101	177884 / A600HP/4 (US)	1 per Box

## MATCHING MIXPAC™ CARTRIDGES

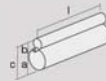
## COMPATIBLE SIDE-BY-SIDE CARTRIDGES



Plastic Cartridge  
1200 mL / 1:1 PP



Plastic Cartridge  
900 mL / 2:1 PP/PA



Plastic Cartridge  
750 mL / 4:1 PP/PA

1:1	mm	inch
l	217.0	8.54
a	Ø 68.0	Ø 2.68
c	136.0	5.35

2:1	mm	inch
l	215.0	8.86
a	Ø 69.0	Ø 2.72
b	Ø 50.0	Ø 1.97
c	119.0	4.69

4:1	mm	inch
l	217.0	8.54
a	Ø 68.0	Ø 2.68
b	Ø 34.0	Ø 1.34
c	102.0	4.0

## CONVERSION KITS

## MATCHING ACCESSORIES

# AIRFLOW™ 1 PPA 1500

## 825/900/1050/1500 ML CARTRIDGE DISPENSER



Model shown: AirFlow 1 PPA 1500 1500 mL

### FEATURES

- Minimum trigger pressure
- U-opening steel frame
- Quick exhaust valve
- Customization possible

### BENEFITS

- For effortless use and minimum fatigue
- Ease of cartridge insertion and removal
- Prevents run-on
- Customer labelling

### APPLICATIONS



### PRODUCT BY RANGE

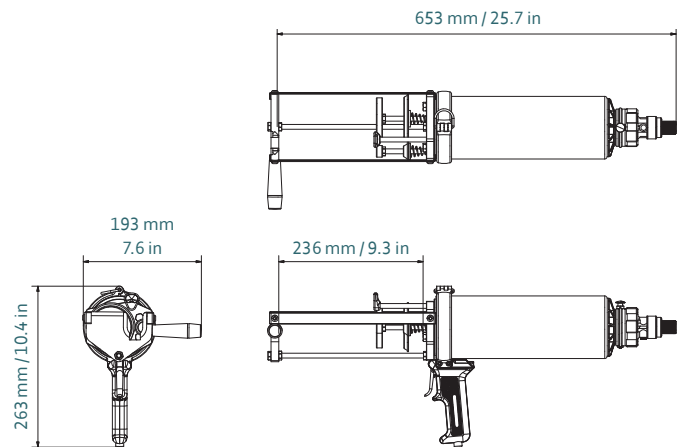


# THE AIRFLOW 1 PPA 1500 2-COMPONENT PNEUMATIC DISPENSER OFFERS FAST, ACCURATE AND EFFORTLESS APPLICATION, WHILE THE QUICK EXHAUST VALVE PREVENTS RUN ON.

## SPECIFICATIONS

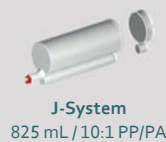
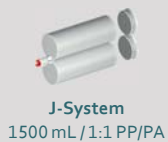
- Weight: 3.3 kg / 7.3 lbs
- Frame Length: 236 mm / 9.3 in
- Maximum Thrust: 5 kN
- Maximum Pneumatic Pressure: 6.8 bar / 100 psi
- Air Consumption: 40 litres/min
- Handle Material: Aluminum
- Frame Material: Steel
- Tool Component Approvals: CE, REACH
- Cartridge Capacity: 825 mL (29 oz), 900 mL (30.4 oz), 1050 mL (35.5 oz), 1500 mL (52.7 oz)
- Cartridge Ratio: 1:1, 2.5:1, 5:1, 10:1
- Viscosity: Medium/High
- Standard Color: Black/Blue
- Customized versions on demand

## DIMENSIONS



Part number	Article number	Packaging
DP2C 1500-01-525-101	177895 / A750HP/1 (US) (1:1) (1500 mL)	1 per Box
DP2C 1050-52-500-101	177896 (2.5:1) (1050 mL)	1 per Box
DP2C 1500-05-500-101	177898 (5:1) (900 mL)	1 per Box
DP2C 1500-10-500-101	177893 / A750HP/10 (US) (10:1) (825 mL)	1 per Box

## MATCHING MIXPAC™ SIDE-BY-SIDE CARTRIDGES



## COMPATIBLE SIDE-BY-SIDE CARTRIDGES



10:1	mm	inch
l	216.0	8.5
a	Ø 80.7	Ø 3.18
b	Ø 28.6	Ø 1.13
c	109.0	4.29

5:1	mm	inch
l	216.0	8.5
a	Ø 79.0	Ø 3.11
b	Ø 38.0	Ø 1.50
c	118.0	4.65

2.5:1	mm	inch
l	216.0	8.5
a	Ø 79.0	Ø 3.11
b	Ø 51.0	Ø 2.01
c	130.0	5.12

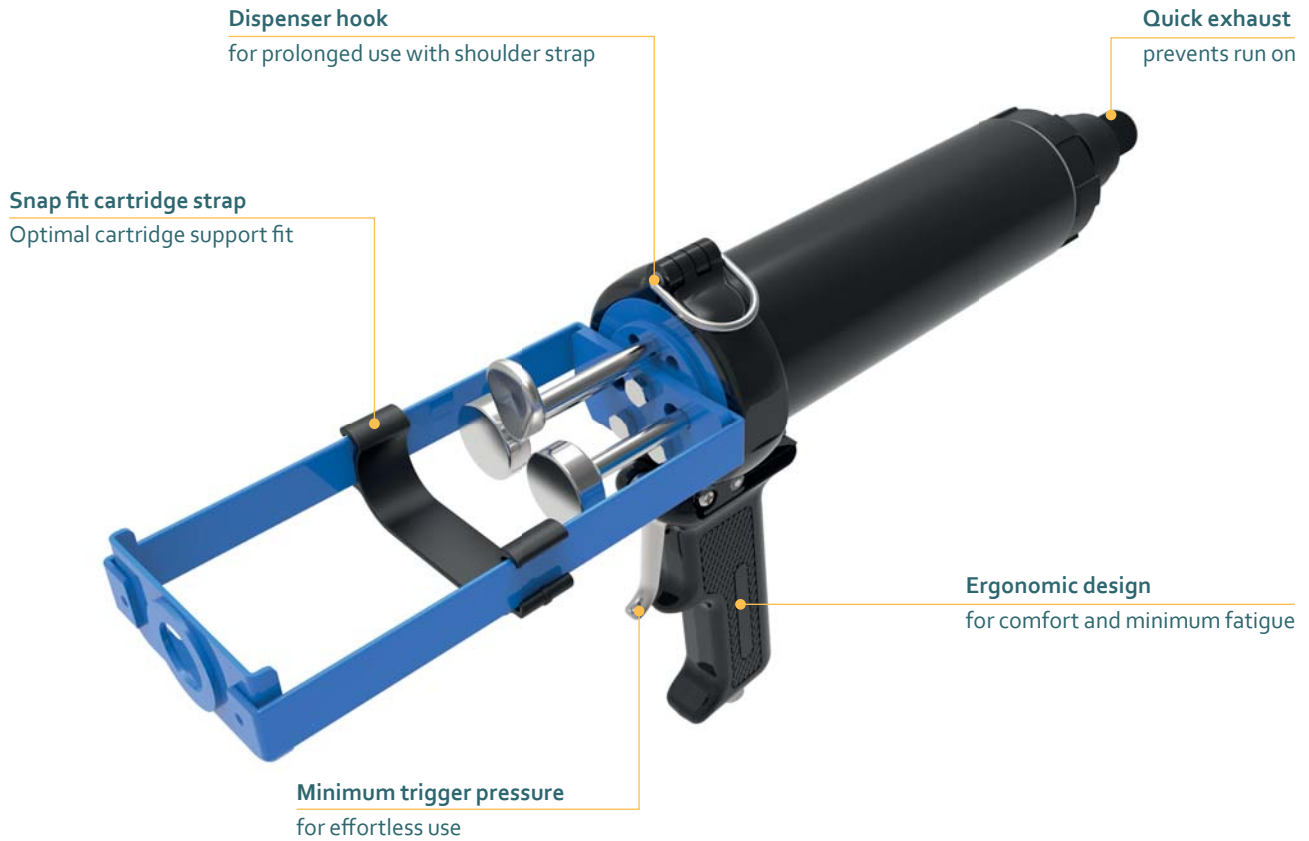
1:1	mm	inch
l	215.0	8.46
a	Ø 79.0	Ø 3.11
c	160.0	6.3

## CONVERSION KITS

## MATCHING ACCESSORIES

# AIRFLOW™ 1 RBA 100 HP

## 220 ML CARTRIDGE DISPENSER



Model shown: AirFlow 1 RBA 100 HP 220 mL

### FEATURES

- Minimum trigger pressure
- Snap fit cartridge strap
- Quick exhaust valve
- Customization possible

### BENEFITS

- For effortless use and minimum fatigue
- For optimal cartridge support
- Prevents run-on
- Customer labelling

### APPLICATIONS



Bonding

Chemical  
Anchoring

### PRODUCT BY RANGE



AirFlow 1  
RBA 100 HP  
110

AirFlow 1  
RBA 200B

AirFlow 3  
RBA 200B

AirFlow 1  
RBA 300B

AirFlow 3  
RBA 300B

AirFlow 3  
RBA 385

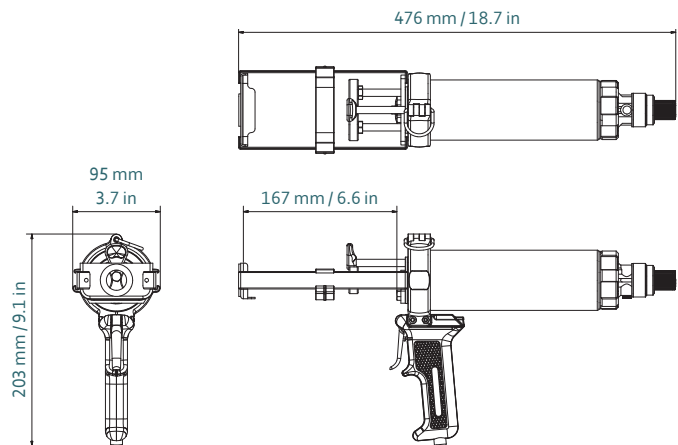
AirFlow 3  
RBA 585

# THE AIRFLOW 1 RBA 100 HP 2-COMPONENT HIGH POWERED PNEUMATIC DISPENSER IS DESIGNED FOR USE WITH LOW TO MEDIUM VISCOSITY SEALANTS AND ADHESIVES, OFFERING FAST, ACCURATE AND EFFORTLESS APPLICATION.

## SPECIFICATIONS

- Weight: 1.7 kg / 3.7 lbs
- Frame Length: 167 mm / 6.6 in
- Maximum Thrust: 2.2 kN
- Maximum Pneumatic Pressure: 6.8 bar / 100 psi
- Air Consumption: 40 litres/min
- Handle Material: Aluminum
- Frame Material: Steel
- Tool Component Approvals: CE, REACH
- Cartridge Capacity: 220 mL (7.7 oz)
- Cartridge Ratio: 1:1
- Viscosity: Low/Medium
- Standard Color: Black/Blue
- Customized versions on demand

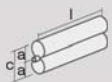
## DIMENSIONS



Part number	Article number	Packaging
DP2C 200-01-220-101	177850	1 per Box

## MATCHING MIXPAC™ CARTRIDGES

## COMPATIBLE SIDE-BY-SIDE CARTRIDGES



Plastic Cartridge  
220 mL / 1:1 PE

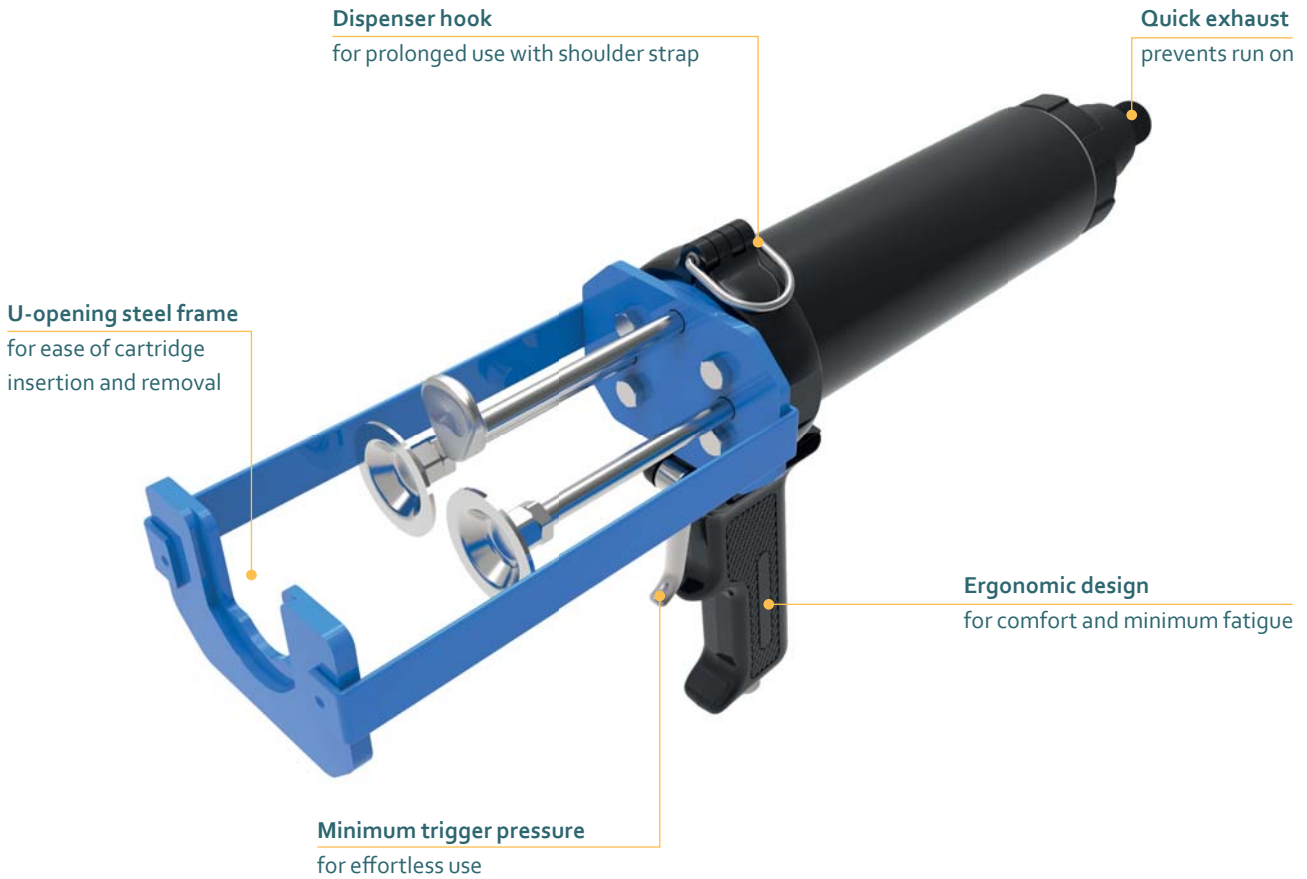
1:1	mm	inch
l	144.0	5.67
a	Ø 37.0	Ø 1.46
c	76.0	2.99

## CONVERSION KITS

## MATCHING ACCESSORIES

# AIRFLOW™ 1 RBA 200B

## 400 ML CARTRIDGE DISPENSER



Model shown: AirFlow 1 RBA 200B 400 mL

### FEATURES

- Minimum trigger pressure
- U-opening steel frame
- Quick exhaust valve
- Customization possible

### BENEFITS

- For effortless use and minimum fatigue
- Ease of cartridge insertion and removal
- Prevents run-on
- Customer labelling

### APPLICATIONS



### PRODUCT BY RANGE



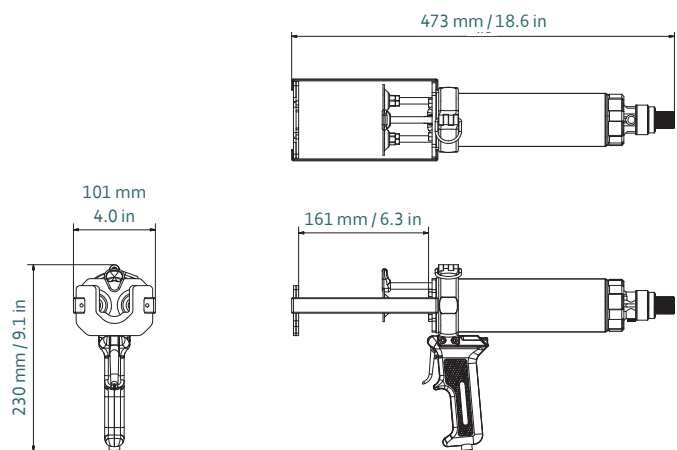


# THE AIRFLOW 1 RBA 200B 2-COMPONENT PNEUMATIC DISPENSER OFFERS FAST, ACCURATE AND EFFORTLESS APPLICATION, WHILE U-OPENING STEEL FRAME ALLOWS FOR EASY INSERTION AND REMOVAL OF CARTRIDGES.

## SPECIFICATIONS

- Weight: 2.0 kg / 4.3 lbs
- Frame Length: 161 mm / 6.3 in
- Maximum Thrust: 2.2 kN
- Maximum Pneumatic Pressure: 6.8 bar / 100 psi
- Air Consumption: 40 litres/min
- Handle Material: Aluminum
- Frame Material: Steel
- Tool Component Approvals: CE, REACH
- Cartridge Capacity: 400 mL (14.0 oz)
- Cartridge Ratio: 1:1
- Viscosity: Low/Medium
- Standard Color: Black/Blue
- Customized versions on demand

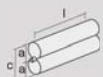
## DIMENSIONS



Part number	Article number	Packaging
DP2C 400-01-220-101	177860	1 per Box

## MATCHING MIXPAC™ CARTRIDGES

## COMPATIBLE SIDE-BY-SIDE CARTRIDGES



Plastic Cartridge  
2×190 mL / 1:1 PP

1:1	mm	inch
l	148.0	5.83
a	Ø 48.1	Ø 1.77
c	85.5	3.36

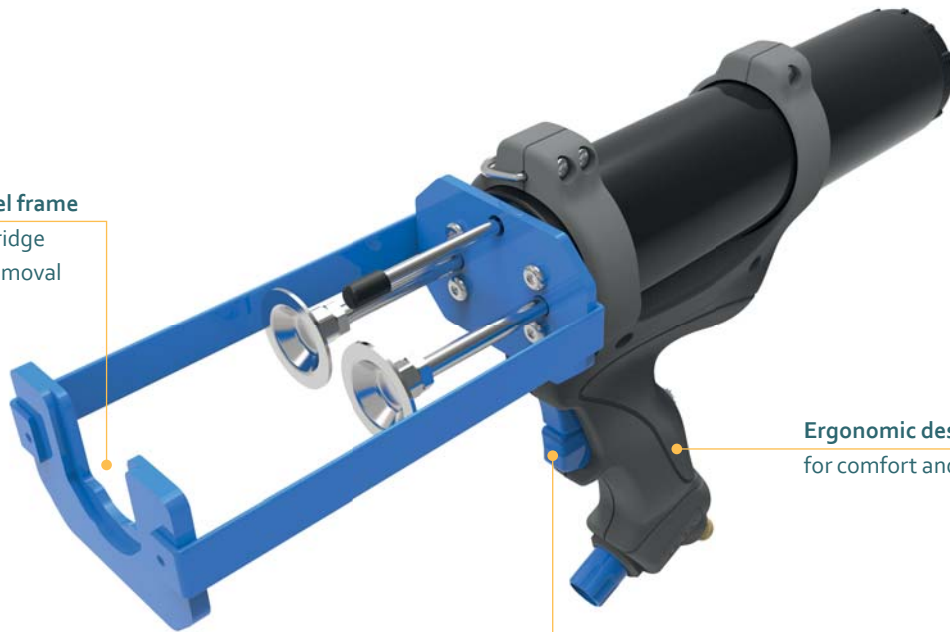
## CONVERSION KITS

## MATCHING ACCESSORIES

# AIRFLOW™ 3 RBA 200B

## 400 ML CARTRIDGE DISPENSER

**U-opening steel frame**  
for ease of cartridge  
insertion and removal



**Ergonomic design**  
for comfort and minimum fatigue

**Minimum trigger pressure**  
for effortless use

Model shown: AirFlow 3 RBA 200B 400 mL

### FEATURES

- Air return as standard
- Minimum trigger pressure
- U-opening steel frame
- Quick exhaust valve
- Quiet operation
- Customization possible

### BENEFITS

- Fast, accurate and effortless application
- For effortless use and minimum fatigue
- Ease of cartridge insertion and removal
- Prevents run-on
- Less than 70 dB
- Customer labelling

### APPLICATIONS



Bonding



Chemical  
Anchoring

### PRODUCT BY RANGE



AirFlow 1  
RBA 100 HP

AirFlow 1  
RBA 200B

AirFlow 3  
RBA 200B

AirFlow 1  
RBA 300B

AirFlow 3  
RBA 300B

AirFlow 3  
RBA 385

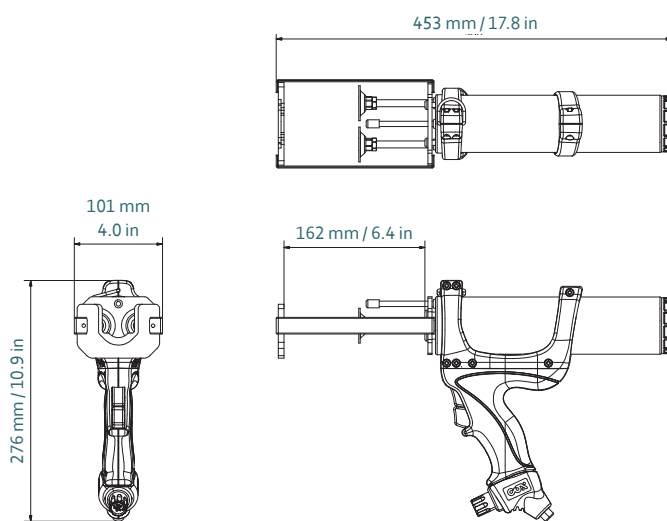
AirFlow 3  
RBA 585

# THE AIRFLOW 3 RBA 200B 2-COMPONENT PNEUMATIC DISPENSER OFFERS AIR RETURN AS STANDARD FOR FAST, ACCURATE AND EFFORTLESS APPLICATION, WHILE THE QUICK EXHAUST VALVE PREVENTS RUN ON.

## SPECIFICATIONS

- Weight: 2.0 kg / 4.3 lbs
- Frame Length: 162 mm / 6.4 in
- Maximum Thrust: 2.2 kN
- Maximum Pneumatic Pressure: 6.8 bar / 100 psi
- Air Consumption: 40 litres/min
- Handle Material: Glass filled nylon
- Frame Material: Steel
- Tool Component Approvals: CE, REACH
- Cartridge Capacity: 400 mL (14.0 oz)
- Cartridge Ratio: 1:1
- Viscosity: Low/Medium
- Standard Color: Black/Blue
- Customized versions on demand

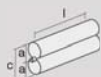
## DIMENSIONS



Part number	Article number	Packaging
DP2C 400-01-220-301	181367	1 per Box

## MATCHING MIXPAC™ CARTRIDGES

## COMPATIBLE SIDE-BY-SIDE CARTRIDGES



Plastic Cartridge  
2×190 mL / 1:1 PP

1:1	mm	inch
l	148.0	5.83
a	Ø 48.1	Ø 1.77
c	85.5	3.36

## CONVERSION KITS

## MATCHING ACCESSORIES

# AIRFLOW™ 1 RBA 300B

## 600/620 ML CARTRIDGE DISPENSER



Model shown: AirFlow 1 RBA 300B 600 mL

### FEATURES

- Air return as standard
- Minimum trigger pressure
- U-opening steel frame
- Quick exhaust valve
- Customization possible

### BENEFITS

- Fast, accurate and effortless application
- For effortless use and minimum fatigue
- Ease of cartridge insertion and removal
- Prevents run-on
- Customer labelling

### APPLICATIONS



### PRODUCT BY RANGE

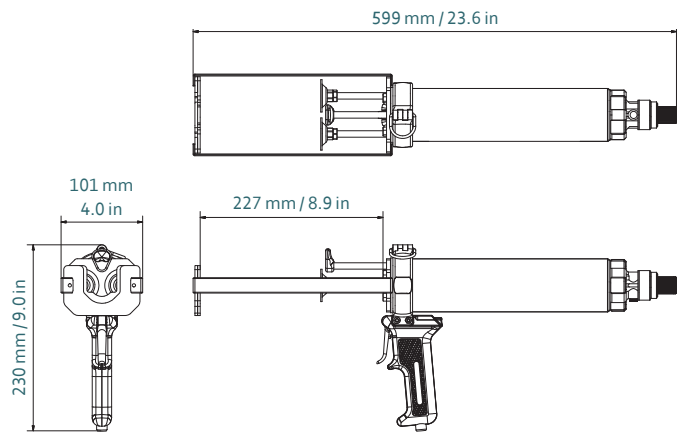


# THE AIRFLOW 1 RBA 300B 2-COMPONENT PNEUMATIC DISPENSER IS DESIGNED FOR USE WITH LOW TO MEDIUM VISCOSITY SEALANTS AND ADHESIVES FOR FAST, ACCURATE AND EFFORTLESS APPLICATION.

## SPECIFICATIONS

- Weight: 2.2 kg / 4.9 lbs
- Frame Length: 227 mm / 8.9 in
- Maximum Thrust: 2.2 kN
- Maximum Pneumatic Pressure: 6.8 bar / 100 psi
- Air Consumption: 40 litres/min
- Handle Material: Aluminum
- Frame Material: Steel
- Tool Component Approvals: CE, REACH
- Cartridge Capacity: 600 mL (21 oz), 620 mL (21.8 oz)
- Cartridge Ratio: 1:1
- Viscosity: Low/Medium
- Standard Color: Black/Blue
- Customized versions on demand

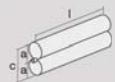
## DIMENSIONS



Part number	Article number	Packaging
DP2C 600-01-220-101	177871	1 per Box

## MATCHING MIXPAC™ SIDE-BY-SIDE CARTRIDGES

### COMPATIBLE SIDE-BY-SIDE CARTRIDGES



Plastic Cartridge  
600 mL / 1:1 PP



Plastic Cartridge  
620 mL / 1:1 PP

1:1	mm	inch
l	217.0	8.54
a	Ø 48.0	Ø 1.89
c	95.5	3.7

1:1	mm	inch
l	218.0	8.58
a	Ø 48.0	Ø 1.89
c	96.0	3.78

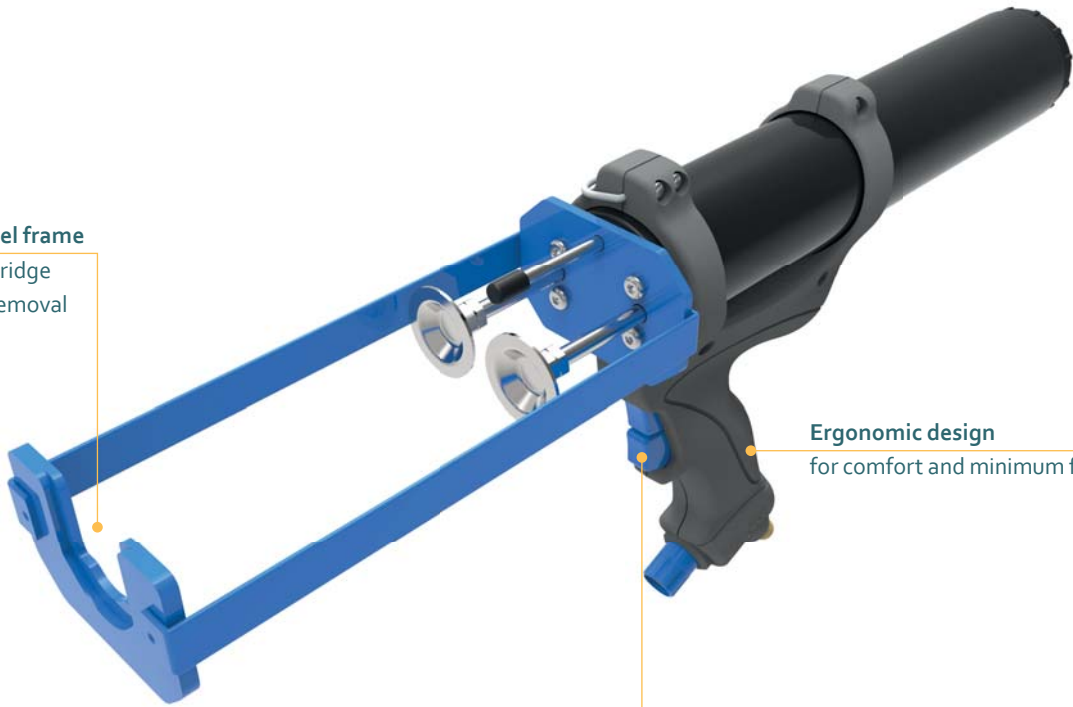
## CONVERSION KITS

## MATCHING ACCESSORIES

# AIRFLOW™ 3 RBA 300B

## 600/620 ML CARTRIDGE DISPENSER

**U-opening steel frame**  
for ease of cartridge  
insertion and removal



**Ergonomic design**  
for comfort and minimum fatigue

**Minimum trigger pressure**  
for effortless use

Model shown: AirFlow 3 RBA 300B 600 mL

### FEATURES

- Air return as standard
- Minimum trigger pressure
- U-opening steel frame
- Quick exhaust valve
- Quiet operation
- Customization possible

### BENEFITS

- Fast, accurate and effortless application
- For effortless use and minimum fatigue
- Ease of cartridge insertion and removal
- Prevents run-on
- Less than 70 dB
- Customer labelling

### APPLICATIONS



Bonding



Chemical  
Anchoring

### PRODUCT BY RANGE



AirFlow 1  
RBA 100 HP



AirFlow 1  
RBA 200B



AirFlow 3  
RBA 200B



AirFlow 1  
RBA 300B



AirFlow 3  
RBA 300B



AirFlow 3  
RBA 385



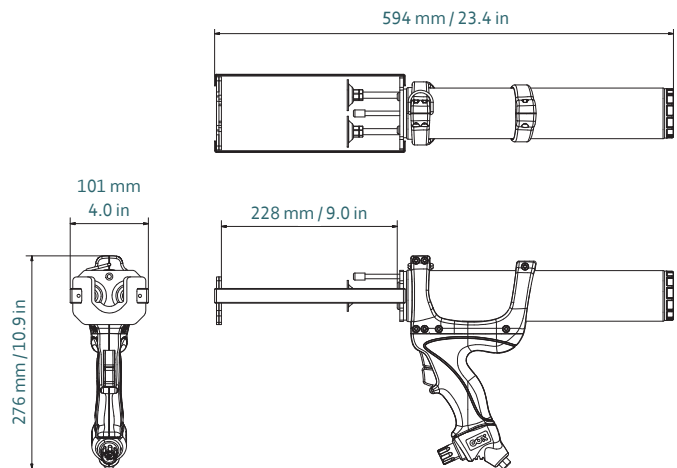
AirFlow 3  
RBA 585

# THE AIRFLOW 3 RBA 300B 2-COMPONENT PNEUMATIC DISPENSER WITH QUIET OPERATION – LESS THAN 70DB AND AIR RETURN AS STANDARD FOR FAST, ACCURATE AND EFFORTLESS APPLICATION.

## SPECIFICATIONS

- Weight: 2.2 kg / 4.9 lbs
- Frame Length: 228 mm / 9.0 in
- Maximum Thrust: 2.2 kN
- Maximum Pneumatic Pressure: 6.8 bar / 100 psi
- Air Consumption: 40 litres/min
- Handle Material: Glass filled nylon
- Frame Material: Steel
- Tool Component Approvals: CE, REACH
- Cartridge Capacity: 600 mL (21 oz), 620 mL (21.8 oz)
- Cartridge Ratio: 1:1
- Viscosity: Low/Medium
- Standard Color: Black/Blue
- Customized versions on demand

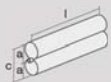
## DIMENSIONS



Part number	Article number	Packaging
DP2C 600-01-220-301	181372	1 per Box

## MATCHING MIXPAC™ SIDE-BY-SIDE CARTRIDGES

### COMPATIBLE SIDE-BY-SIDE CARTRIDGES



Plastic Cartridge  
600 mL / 1:1 PP

1:1	mm	inch
l	217.0	8.54
a	Ø 48.0	Ø 1.89
c	95.5	3.7



Plastic Cartridge  
620 mL / 1:1 PP

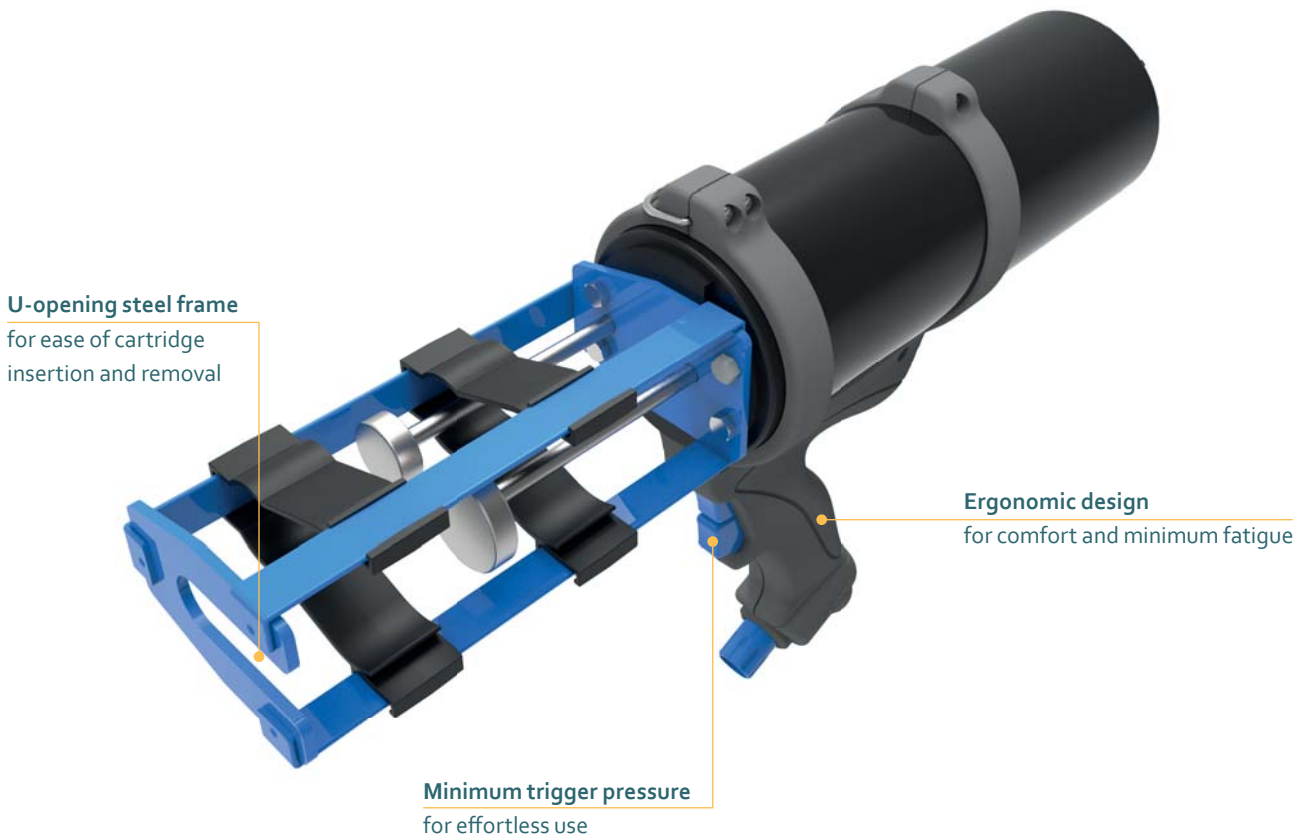
1:1	mm	inch
l	218.0	8.58
a	Ø 48.0	Ø 1.89
c	96.0	3.78

## CONVERSION KITS

## MATCHING ACCESSORIES

# AIRFLOW™ 3 RBA 385

## 365/385 ML CARTRIDGE DISPENSER



Model shown: AirFlow 3 RBA 385 385 mL

### FEATURES

- Air return as standard
- Minimum trigger pressure
- U-opening steel frame
- Quick exhaust valve
- Quiet operation
- Snap fit cartridge strap
- Customization possible

### BENEFITS

- Fast, accurate and effortless application
- For effortless use and minimum fatigue
- Ease of cartridge insertion and removal
- Prevents run-on
- Less than 70 dB
- For optimal cartridge support
- Customer labelling

### APPLICATIONS



### PRODUCT BY RANGE



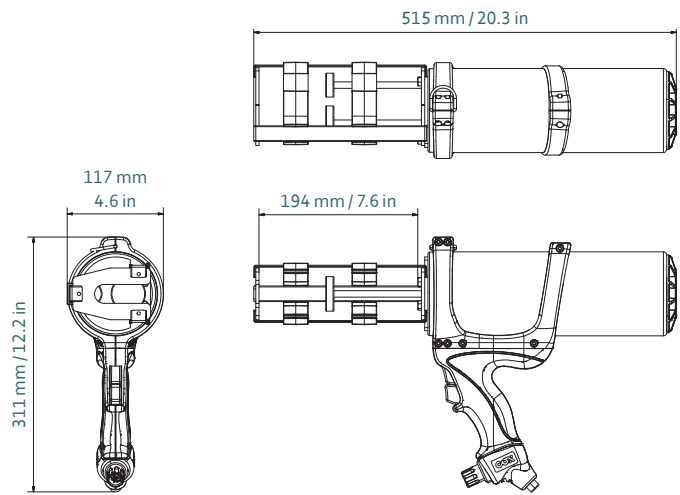


# THE AIRFLOW 3 RBA 385 2-COMPONENT PNEUMATIC DISPENSER IS DESIGNED FOR USE WITH MEDIUM TO HIGH VISCOSITY SEALANTS AND ADHESIVES. QUIET OPERATION – LESS THAN 70 DB AND AIR RETURN AS STANDARD.

## SPECIFICATIONS

- Weight: 2.2 kg / 4.9 lbs
- Frame Length: 194 mm / 9.0 in
- Maximum Thrust: 5.25 kN
- Maximum Pneumatic Pressure: 6.8 bar / 100 psi
- Air Consumption: 40 litres/min
- Handle Material: Glass fiber reinforced nylon
- Frame Material: Epoxy coated steel
- Tool Component Approvals: CE, REACH
- Cartridge Capacity: 365 mL (12.3 oz), 385 mL (13 oz)
- Cartridge Ratio: 1:1
- Viscosity: Medium/High
- Standard Color: Black/Blue
- Customized versions on demand

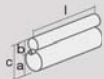
## DIMENSIONS



Part number	Article number	Packaging
DP2C 385-03-220-301	181375	1 per Box

## MATCHING MIXPAC™ CARTRIDGES

## COMPATIBLE SIDE-BY-SIDE CARTRIDGES



Plastic Cartridge  
385 mL / 3:1 PP

3:1	mm	inch
l	171.0	6.73
a	Ø 54.4	Ø 2.14
b	Ø 32.6	Ø 1.28
c	90.0	3.54

## CONVERSION KITS

## MATCHING ACCESSORIES

# AIRFLOW™ 3 RBA 585

## 365/385 ML CARTRIDGE DISPENSER

**U-opening steel frame**  
for ease of cartridge  
insertion and removal



**Ergonomic design**  
for comfort and minimum fatigue

**Minimum trigger pressure**  
for effortless use

Model shown: AirFlow 3 RBA 585 365 mL

### FEATURES

- Air return as standard
- Minimum trigger pressure
- U-opening steel frame
- Quick exhaust valve
- Quiet operation
- Snap fit cartridge strap
- Customization possible

### BENEFITS

- Fast, accurate and effortless application
- For effortless use and minimum fatigue
- Ease of cartridge insertion and removal
- Prevents run-on
- Less than 70 dB
- For optimal cartridge support
- Customer labelling

### APPLICATIONS



Bonding



Chemical  
Anchoring

### PRODUCT BY RANGE

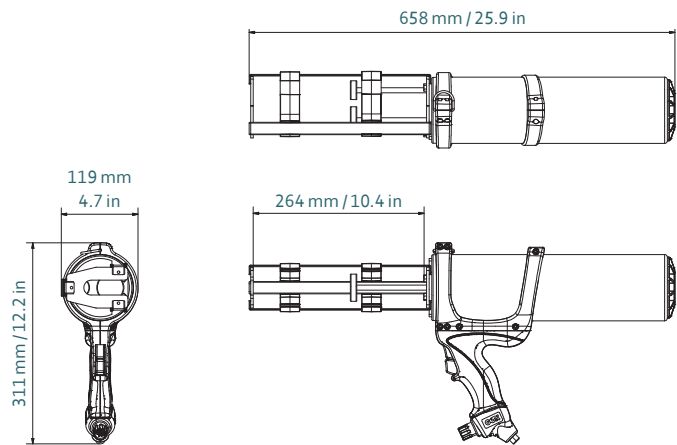


# THE AIRFLOW 3 RBA 585 2-COMPONENT PNEUMATIC DISPENSER OFFERS AIR RETURN AS STANDARD FOR FAST, ACCURATE AND EFFORTLESS APPLICATION, WHILE THE QUICK EXHAUST VALVE PREVENTS RUN ON.

## SPECIFICATIONS

- Weight: 2.2 kg / 4.9 lbs
- Frame Length: 264 mm / 10.4 in
- Maximum Thrust: 5.25 kN
- Maximum Pneumatic Pressure: 6.8 bar / 100 psi
- Air Consumption: 40 litres/min
- Handle Material: Glass fiber reinforced nylon
- Frame Material: Epoxy coated steel
- Tool Component Approvals: CE, REACH
- Cartridge Capacity: 365 mL (12.3 oz), 385 mL (13 oz), 600 mL (20.0 oz)
- Cartridge Ratio: 3:1
- Viscosity: Medium/High
- Standard Color: Black/Blue
- Customized versions on demand

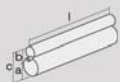
## DIMENSIONS



Part number	Article number	Packaging
DP2C 585-03-525-301	181378	1 per Box

## MATCHING MIXPAC™ CARTRIDGES

## COMPATIBLE SIDE-BY-SIDE CARTRIDGES



Plastic Cartridge  
585 mL / 3:1 PP

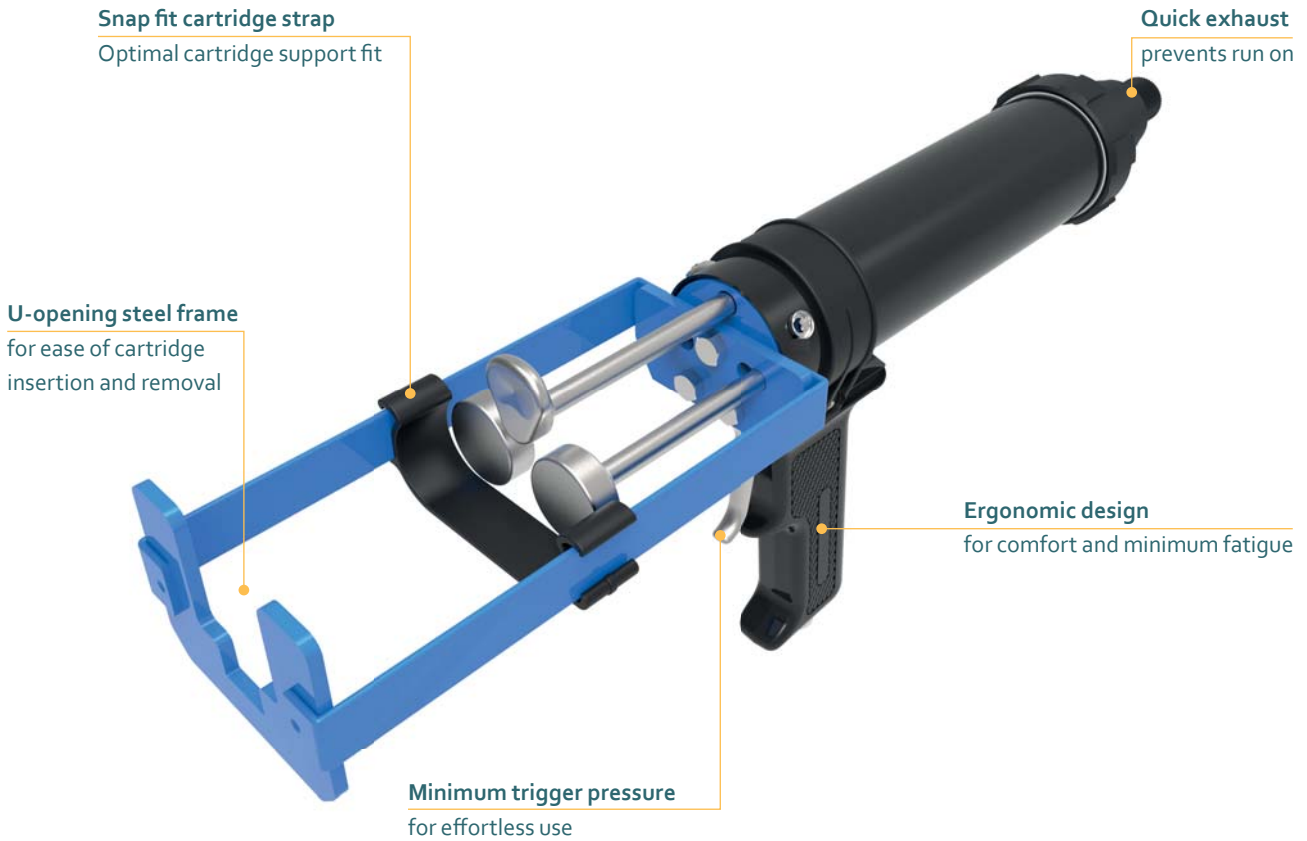
3:1	mm	inch
l	244.0	9.61
a	Ø 54.4	Ø 2.14
b	Ø 32.6	Ø 1.28
c	90.0	3.54

## CONVERSION KITS

## MATCHING ACCESSORIES

# AIRFLOW™ 1 VBA 100 LP

## 200 ML CARTRIDGE DISPENSER



Model shown: AirFlow 1 VBA 100 LP 200 mL

### FEATURES

- Minimum trigger pressure
- Adjustable air regulator
- U-opening steel frame
- Snap fit cartridge strap
- Air return as standard
- Support strap
- Quick exhaust valve
- Customization possible

### BENEFITS

- For effortless use and minimum fatigue
- Ensures precise controlled pressure
- For ease of cartridge insertion and removal
- For optimal cartridge support
- Fast, accurate and effortless application
- For secure cartridge fit
- Prevents run-on
- Customer labelling

### APPLICATIONS



### PRODUCT BY RANGE

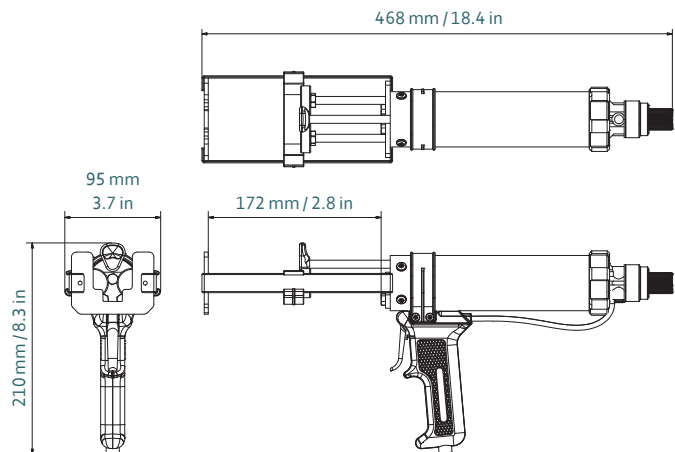


# THE AIRFLOW 1 VBA 100 LP 2-COMPONENT PNEUMATIC DISPENSER IS DESIGNED FOR USE WITH LOW TO MEDIUM VISCOSITY SEALANTS AND ADHESIVES. IT OFFERS FAST, ACCURATE AND EFFORTLESS APPLICATION AND OPTIMAL CARTRIDGE SUPPORT.

## SPECIFICATIONS

- Weight: 1.7 kg / 3.7 lbs
- Frame Length: 172 mm / 6.7 in
- Maximum Thrust: 1.4 kN
- Maximum Pneumatic Pressure: 6.8 bar / 100 psi
- Air Consumption: 40 litres/min
- Handle Material: Epoxy Coated Aluminum
- Frame Material: Epoxy Coated Steel
- Tool Component Approvals: CE, REACH
- Cartridge Capacity: 200 mL (7 oz)
- Cartridge Ratio: 1:1
- Viscosity: Low/Medium
- Standard Color: Black/Blue
- Customized versions on demand

## DIMENSIONS



Part number	Article number	Packaging
DP2C 200-01-140-101	177852	1 per Box

## MATCHING MIXPAC™ SIDE-BY-SIDE CARTRIDGES



C-System/F-System  
200 mL / 1:1 PP/PA

## COMPATIBLE CARTRIDGES

—

## CONVERSION KITS

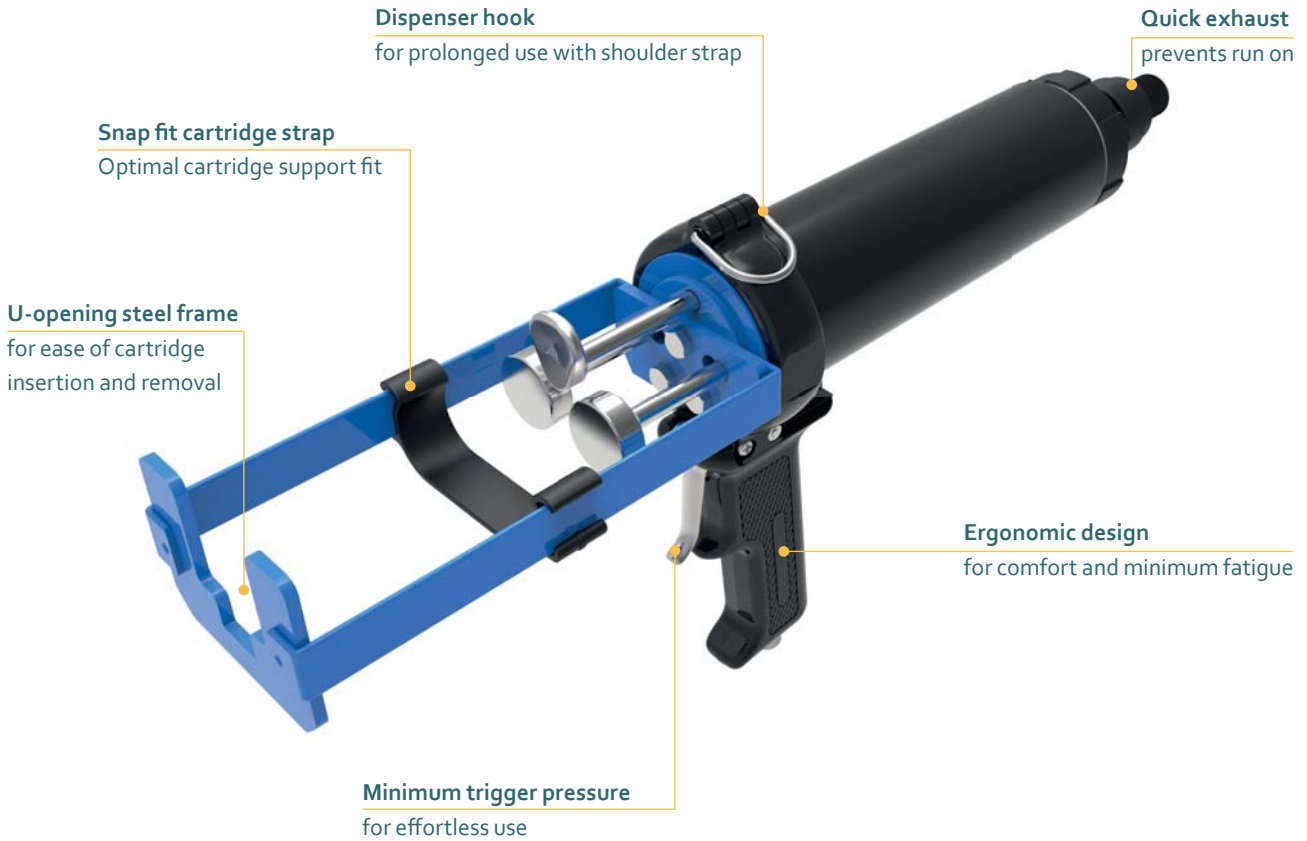
—

## MATCHING ACCESSORIES

—

# AIRFLOW™ 1 VBA 100 HP

## 200 ML CARTRIDGE DISPENSER



Model shown: AirFlow 1 VBA 100 HP 200 mL

### FEATURES

- Minimum trigger pressure
- Snap fit cartridge straps
- Quick exhaust valve
- Customization possible

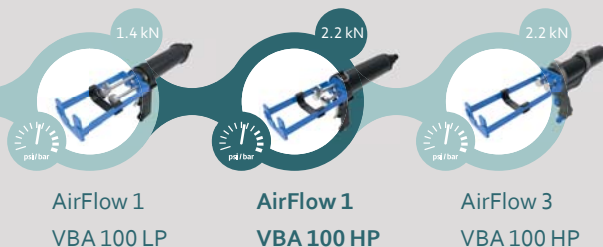
### BENEFITS

- For effortless use and minimum fatigue
- For optimal cartridge support
- Prevents run-on
- Customer labelling

### APPLICATIONS



### PRODUCT BY RANGE

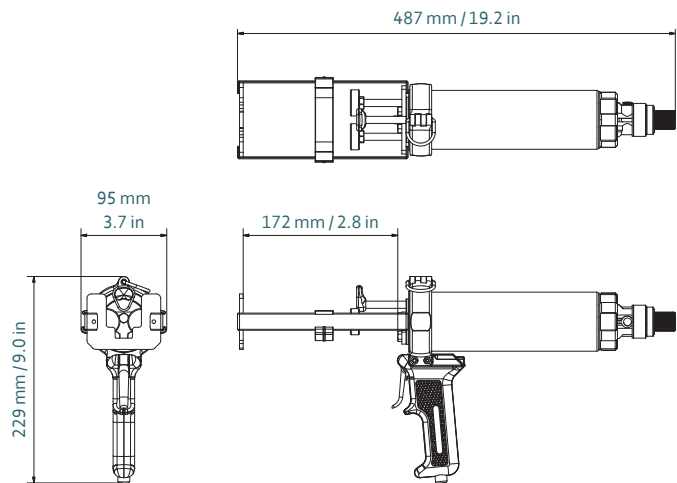


# THE AIRFLOW 1 VBA 100 HP 2-COMPONENT PNEUMATIC DISPENSER OFFERS FAST, ACCURATE AND EFFORTLESS APPLICATION, WHILE THE U-OPENING STEEL FRAME ALLOWS FOR EASY INSERTION AND REMOVAL OF CARTRIDGES.

## SPECIFICATIONS

- Weight: 1.7 kg / 3.7 lbs
- Frame Length: 172 mm / 6.7 in
- Maximum Thrust: 2.2 kN
- Maximum Pneumatic Pressure: 6.8 bar / 100 psi
- Air Consumption: 40 litres/min
- Handle Material: Aluminum
- Frame Material: Steel
- Tool Component Approvals: CE, REACH
- Cartridge Capacity: 200 mL (7 oz)
- Cartridge Ratio: 1:1
- Viscosity: Low/Medium
- Standard Color: Black/Blue
- Customized versions on demand

## DIMENSIONS



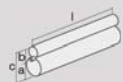
Part number	Article number	Packaging
DP2C 200-01-220-201	177855 / A100LP (US)	1 per Box

## MATCHING MIXPAC™ SIDE-BY-SIDE CARTRIDGES



**C-System/F-System**  
200 mL / 1:1 PP/PA

## COMPATIBLE SIDE-BY-SIDE CARTRIDGES



**Plastic Cartridge**  
200 mL / 1:1 PP/PA

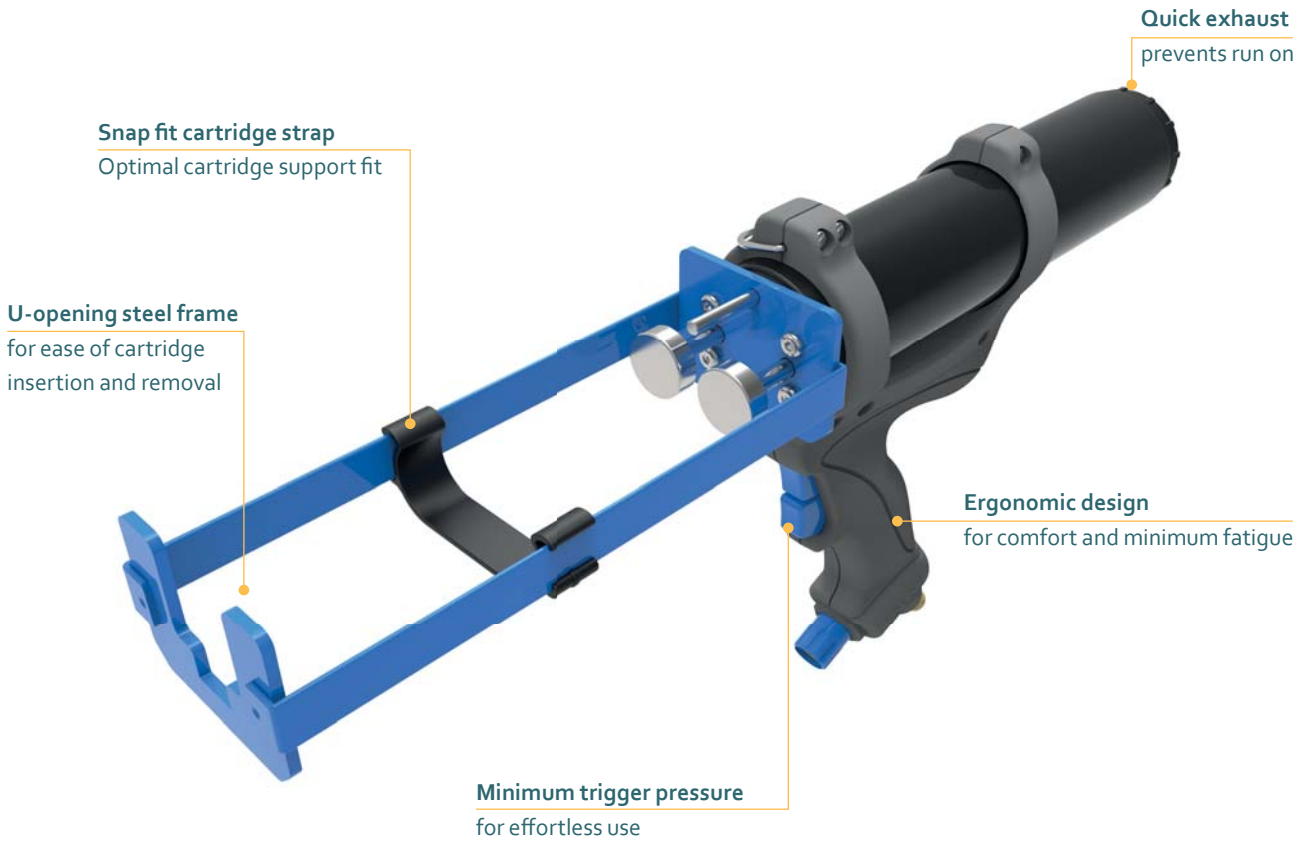
1:1	mm	inch
l	148.0	5.83
a	Ø 37.0	Ø 1.46
c	79.0	3.11

## CONVERSION KITS

## MATCHING ACCESSORIES

# AIRFLOW™ 3 VBA 100 HP

## 200 ML CARTRIDGE DISPENSER



Model shown: AirFlow 3 VBA 100 HP 200 mL

### FEATURES

- Air return as standard
- Minimum trigger pressure
- U-opening steel frame
- Snap fit cartridge straps
- Quick exhaust valve
- Quiet operation
- Customization possible

### BENEFITS

- Fast, accurate and effortless application
- For effortless use and minimum fatigue
- For ease of cartridge insertion and removal
- For optimal cartridge support
- Prevents run-on
- Less than 70 dB
- Customer labelling

### APPLICATIONS



### PRODUCT BY RANGE



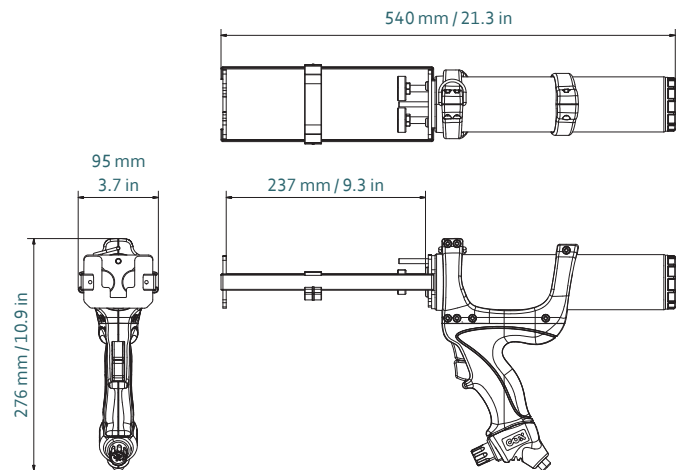


# THE AIRFLOW 3 VBA 100 HP 2-COMPONENT HIGH POWERED PNEUMATIC DISPENSER WITH QUIET OPERATION – LESS THAN 70 DB. AIR RETURN AS STANDARD FOR FAST, ACCURATE AND EFFORTLESS APPLICATION.

## SPECIFICATIONS

- Weight: 1.7 kg / 3.7 lbs
- Frame Length: 237 mm / 9.3 in
- Maximum Thrust: 2.2 kN
- Maximum Pneumatic Pressure: 6.8 bar / 100 psi
- Air Consumption: 40 litres/min
- Handle Material: Glass filled nylon handle
- Frame Material: Steel
- Tool Component Approvals: CE, REACH
- Cartridge Capacity: 200 mL (7 oz)
- Cartridge Ratio: 1:1
- Viscosity: Low/Medium
- Standard Color: Black/Blue
- Customized versions on demand

## DIMENSIONS



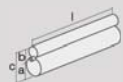
Part number	Article number	Packaging
DP2C 200-01-220-311	181364	1 per Box

## MATCHING MIXPAC™ SIDE-BY-SIDE CARTRIDGES



C-System/F-System  
200 mL / 1:1 PP/PA

## COMPATIBLE SIDE-BY-SIDE CARTRIDGES



Plastic Cartridge  
200 mL / 1:1 PP/PA

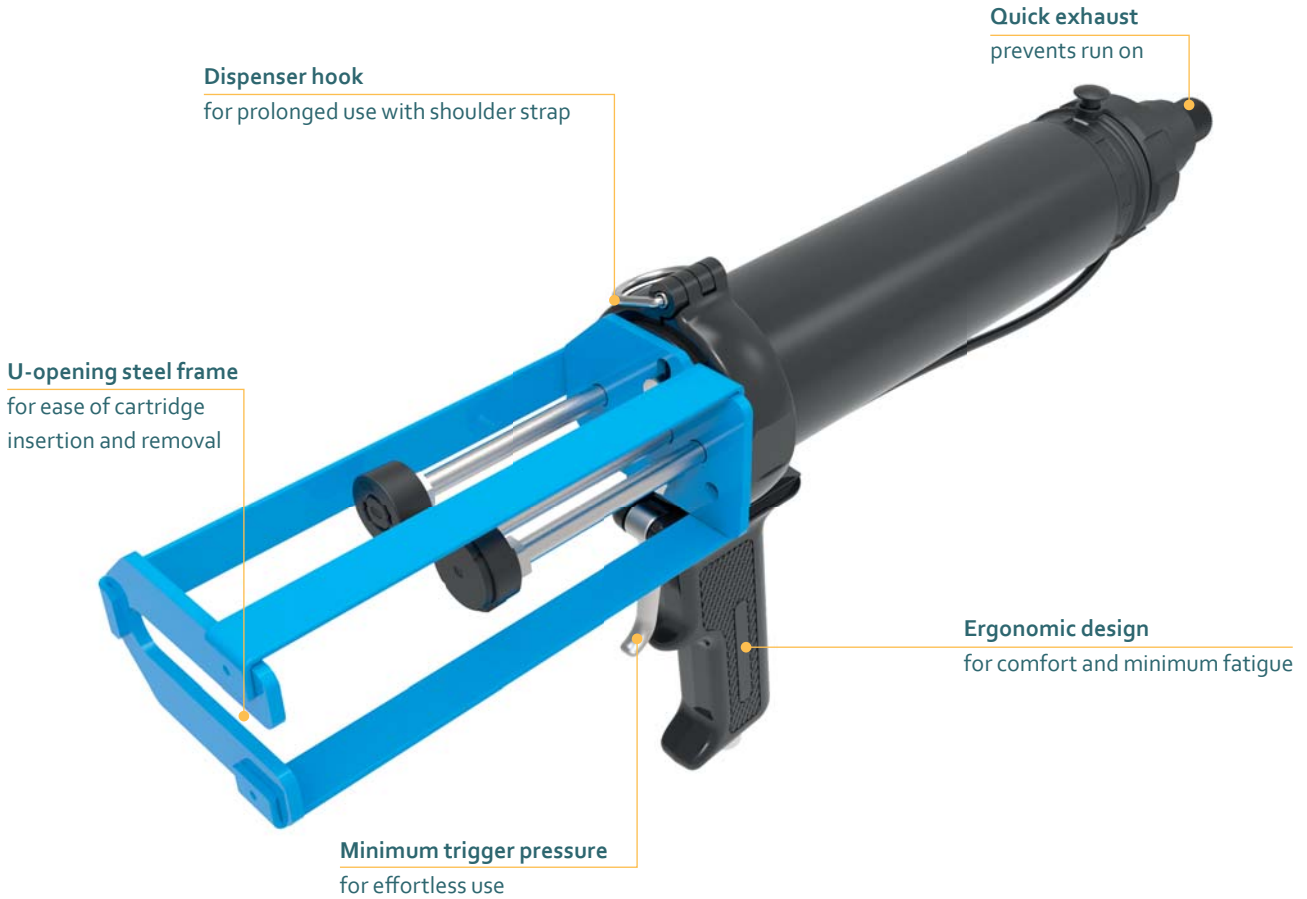
1:1	mm	inch
l	148.0	5.83
a	Ø 37.0	Ø 1.46
c	79.0	3.11

## CONVERSION KITS

## MATCHING ACCESSORIES

# AIRFLOW™ 1 VBA 200B MR

## 200 ML CARTRIDGE DISPENSER



Model shown: AirFlow 1 VBA 200B MR 200 mL

### FEATURES

- Minimum trigger pressure
- U-opening steel frame
- Quick exhaust valve
- Customization possible

### BENEFITS

- For effortless use and minimum fatigue
- Ease of cartridge insertion and removal
- Prevents run-on
- Customer labelling

### APPLICATIONS



Bonding

Chemical Anchoring

### PRODUCT BY RANGE



AirFlow 1  
VBA 200B MR

AirFlow 3  
VBA 200B MR

AirFlow 1  
VBA 200A MR

AirFlow 1  
VBA 200B

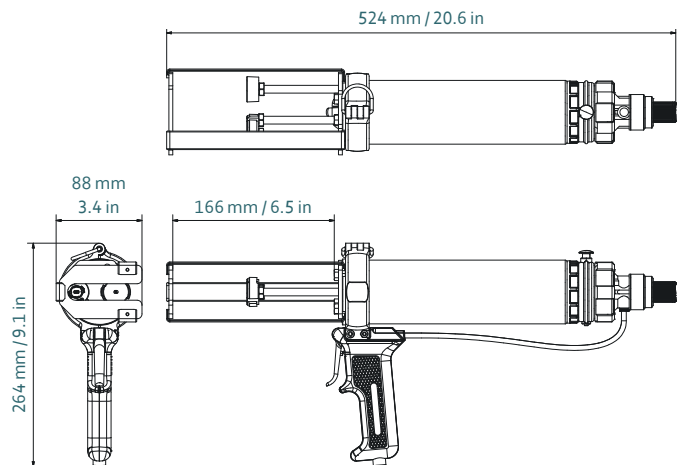
AirFlow 1  
VBA 200A

# THE AIRFLOW 1 VBA 200B MR 2-COMPONENT MULTI-RATIO PNEUMATIC DISPENSER IS DESIGNED FOR USE WITH LOW TO MEDIUM VISCOSITY SEALANTS AND ADHESIVES. IT OFFERS FAST, ACCURATE AND EFFORTLESS APPLICATION.

## SPECIFICATIONS

- Weight: 2.2 kg / 4.8 lbs
- Frame Length: 266 mm / 6.5 in
- Maximum Thrust: 2.2 kN
- Maximum Pneumatic Pressure: 6.8 bar / 100 psi
- Air Consumption: 40 litres/min
- Handle Material: Epoxy Coated Aluminum
- Frame Material: Epoxy Coated Steel
- Tool Component Approvals: CE, REACH
- Cartridge Capacity: 200 mL (7 oz)
- Cartridge Ratio: 1:1, 2:1, 4:1, 10:1
- Viscosity: Low/Medium
- Standard Color: Black/Blue
- Customized versions on demand

## DIMENSIONS



Part number	Article number	Packaging
DP2C 200-MR-220-101	177744	1 per Box

## MATCHING MIXPAC™ CARTRIDGES



C-System/F-System  
200 mL / 1:1 PP



C-System/F-System  
200 mL / 2:1 PP/PBT

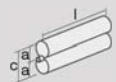


C-System/F-System  
200 mL / 4:1 PP/PBT

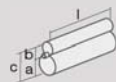


C-System/F-System  
200 mL / 10:1 PP/PBT

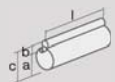
## COMPATIBLE SIDE-BY-SIDE CARTRIDGES



Plastic Cartridge  
200 mL / 1:1 PP/PA



Plastic Cartridge  
200 mL / 2:1 PP



Plastic Cartridge  
200 mL / 10:1 PP/PBT

1:1	mm	inch
l	148.0	5.83
a	∅ 37.0	∅ 1.46
c	79.0	3.11

2:1	mm	inch
l	148.0	5.83
a	∅ 50.0	∅ 1.97
b	∅ 31.0	∅ 1.22
c	81.0	3.19

10:1	mm	inch
l	147.0	5.79
a	∅ 55.0	∅ 2.17
b	∅ 19.0	∅ 0.74
c	78.0	3.07

## CONVERSION KITS

Conversion kit included

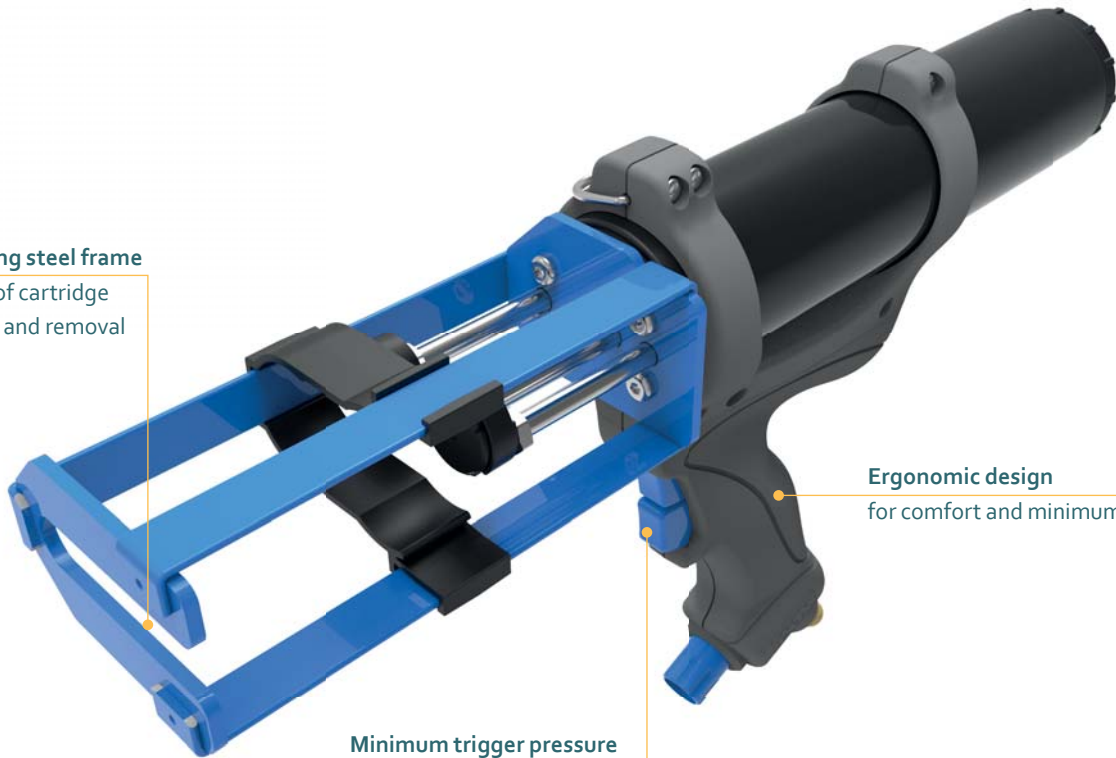
## MATCHING ACCESSORIES

—

# AIRFLOW™ 3 VBA 200B MR

## 200 ML CARTRIDGE DISPENSER

**U-opening steel frame**  
for ease of cartridge  
insertion and removal



**Ergonomic design**  
for comfort and minimum fatigue

**Minimum trigger pressure**  
for effortless use

Model shown: AirFlow 3 VBA 200B MR 200 mL

### FEATURES

- Air return as standard
- Minimum trigger pressure
- U-opening steel frame
- Quick exhaust valve
- Quiet operation
- Customization possible

### BENEFITS

- Fast, accurate and effortless application
- For effortless use and minimum fatigue
- Ease of cartridge insertion and removal
- Prevents run-on
- Less than 70 dB
- Customer labelling

### APPLICATIONS



### PRODUCT BY RANGE

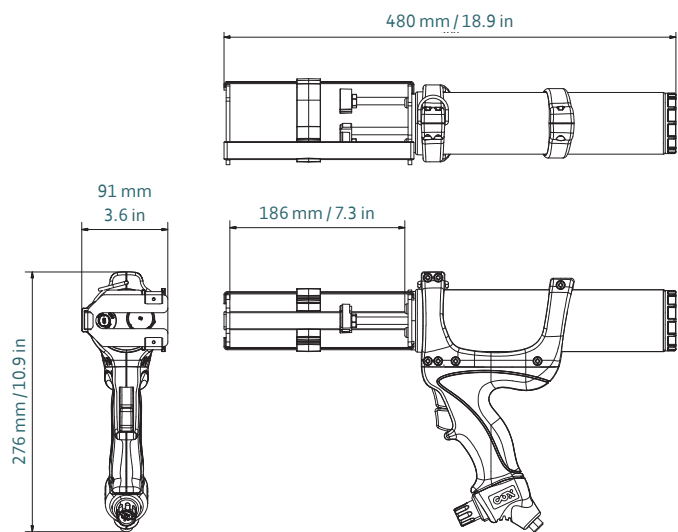


# THE AIRFLOW 3 VBA 200B MR 2-COMPONENT MULTI-RATIO PNEUMATIC DISPENSER WITH QUIET OPERATION – LESS THAN 70 DB AND AIR RETURN AS STANDARD FOR FAST, ACCURATE AND EFFORTLESS APPLICATION.

## SPECIFICATIONS

- Weight: 2.2 kg / 4.8 lbs
- Frame Length: 186 mm / 7.3 in
- Maximum Thrust: 2.2 kN
- Maximum Pneumatic Pressure: 6.8 bar / 100 psi
- Air Consumption: 40 litres/min
- Handle Material: Glass Filled Nylon
- Frame Material: Steel
- Tool Component Approvals: CE, REACH
- Cartridge Capacity: 200 mL (7 oz)
- Cartridge Ratio: 1:1, 2:1, 4:1, 10:1
- Viscosity: Low/Medium
- Standard Color: Black/Blue
- Customized versions on demand

## DIMENSIONS



Part number	Article number	Packaging
DP2C 200-MR-220-301	181361 / A200LPMR-S3 (US)	1 per Box

## MATCHING MIXPAC™ SIDE-BY-SIDE CARTRIDGES



C-System/F-System  
200 mL / 1:1 PP



C-System/F-System  
200 mL / 2:1 PP/PBT

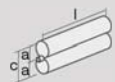


C-System/F-System  
200 mL / 4:1 PP/PBT

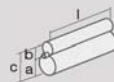


C-System/F-System  
200 mL / 10:1 PP/PBT

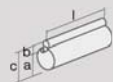
## COMPATIBLE CARTRIDGES



Plastic Cartridge  
200 mL / 1:1 PP/PA



Plastic Cartridge  
200 mL / 2:1 PP



Plastic Cartridge  
200 mL / 10:1 PP/PBT

1:1	mm	inch
l	148.0	5.83
a	∅ 37.0	∅ 1.46
c	79.0	3.11

2:1	mm	inch
l	148.0	5.83
a	∅ 50.0	∅ 1.97
b	∅ 31.0	∅ 1.22
c	81.0	3.19

10:1	mm	inch
l	147.0	5.79
a	∅ 55.0	∅ 2.17
b	∅ 19.0	∅ 0.74
c	78.0	3.07

## CONVERSION KITS

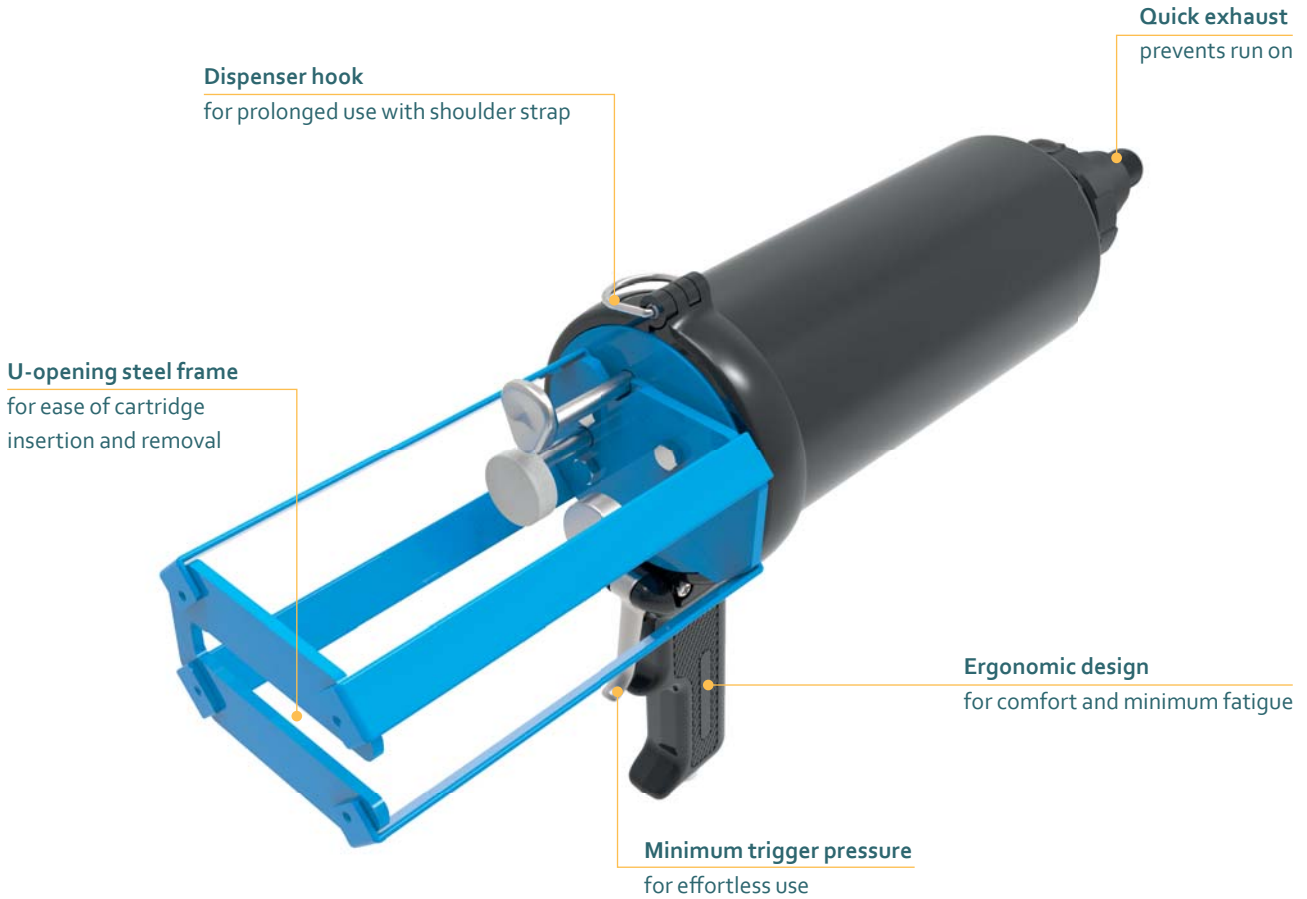
Conversion kit included

## MATCHING ACCESSORIES

–

# AIRFLOW™ 1 VBA 200A MR

## 200 ML CARTRIDGE DISPENSER



Model shown: AirFlow 1 VBA 200A MR 200 mL

### FEATURES

- Minimum trigger pressure
- U-opening steel frame
- Quick exhaust valve
- Customization possible

### BENEFITS

- For effortless use and minimum fatigue
- Ease of cartridge insertion and removal
- Prevents run-on
- Customer labelling

### APPLICATIONS



Bonding

Chemical  
Anchoring

### PRODUCT BY RANGE



AirFlow 1  
VBA 200B MR

AirFlow 3  
VBA 200B MR

AirFlow 1  
VBA 200A MR

AirFlow 1  
VBA 200B

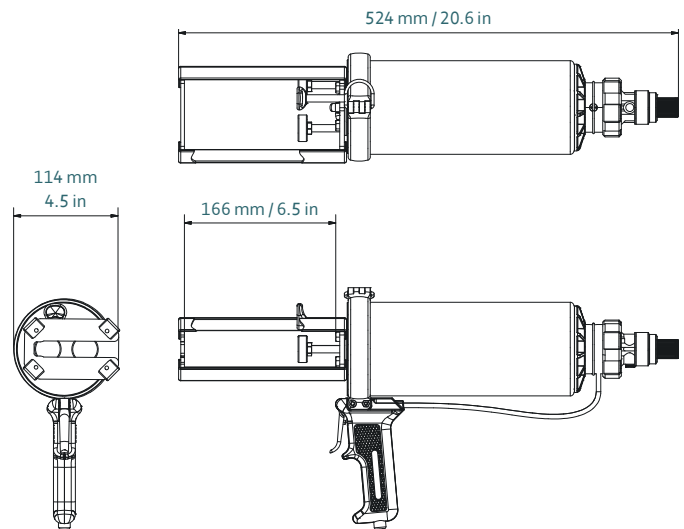
AirFlow 1  
VBA 200A

# THE AIRFLOW 1 VBA 200A MR 2-COMPONENT PNEUMATIC DISPENSER OFFERS FAST, ACCURATE AND EFFORTLESS APPLICATION WHILE THE U-OPENING STEEL FRAME ALLOWS FOR EASY INSERTION AND REMOVAL OF CARTRIDGES.

## SPECIFICATIONS

- Weight: 2.2 kg / 4.8 lbs
- Frame Length: 166 mm / 6.5 in
- Maximum Thrust: 2.2 kN
- Maximum Pneumatic Pressure: 6.8 bar / 100 psi
- Air Consumption: 40 litres/min
- Handle Material: Epoxy Coated Aluminum
- Frame Material: Epoxy Coated Steel
- Tool Component Approvals: CE, REACH
- Cartridge Capacity: 200 mL (7 oz)
- Cartridge Ratio: 1:1, 2:1, 4:1, 10:1
- Viscosity: Low/Medium
- Standard Color: Black/Blue
- Customized versions on demand

## DIMENSIONS



Part number	Article number	Packaging
DP2C 200-MR-500-101	177733	1 per Box

## MATCHING MIXPAC™ CARTRIDGES



C-System/F-System  
200 mL / 1:1 PP



C-System/F-System  
200 mL / 2:1 PP/PBT

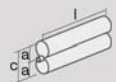


C-System/F-System  
200 mL / 4:1 PP/PBT

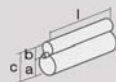


C-System/F-System  
200 mL / 10:1 PP/PBT

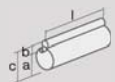
## COMPATIBLE SIDE-BY-SIDE CARTRIDGES



Plastic Cartridge  
200 mL / 1:1 PP/PA



Plastic Cartridge  
200 mL / 2:1 PP



Plastic Cartridge  
200 mL / 10:1 PP/PBT

1:1	mm	inch
l	148.0	5.83
a	∅ 37.0	∅ 1.46
c	79.0	3.11

2:1	mm	inch
l	148.0	5.83
a	∅ 50.0	∅ 1.97
b	∅ 31.0	∅ 1.22
c	81.0	3.19

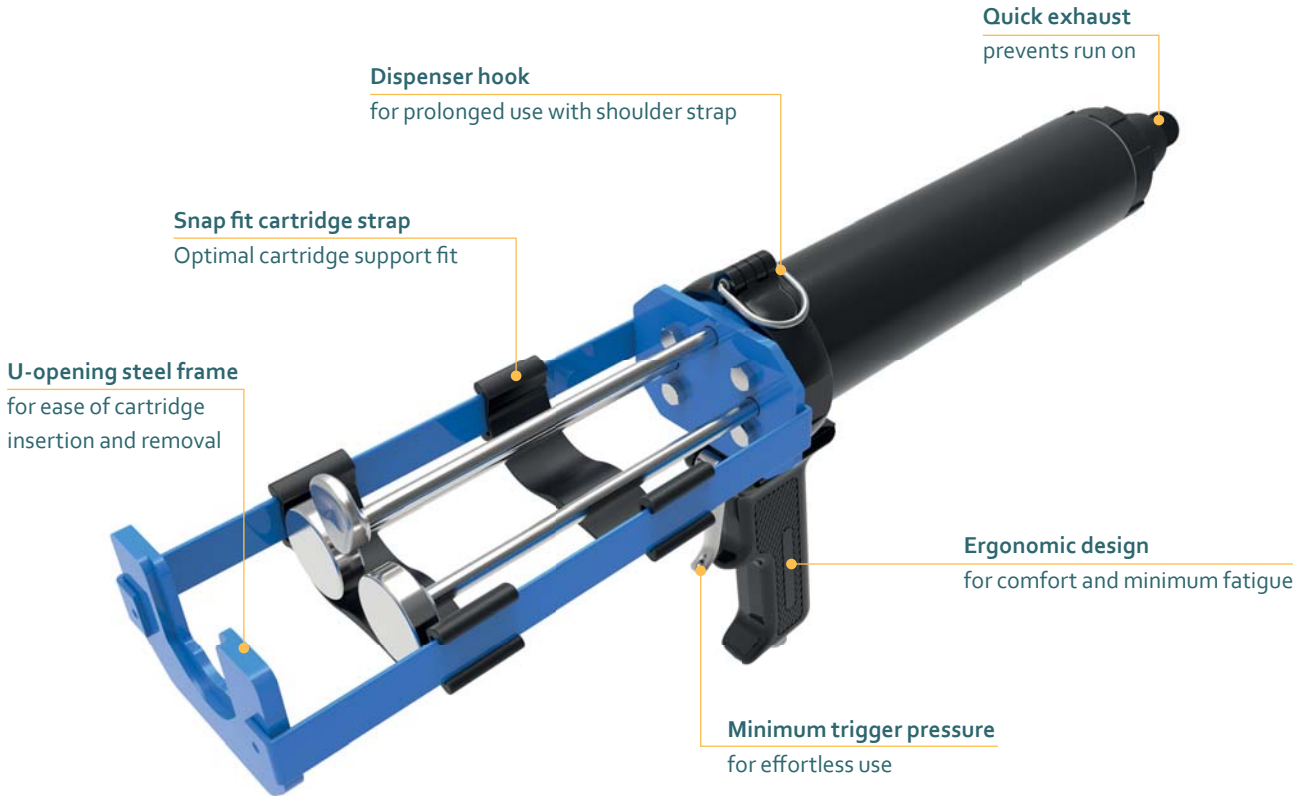
10:1	mm	inch
l	147.0	5.79
a	∅ 55.0	∅ 2.17
b	∅ 19.0	∅ 0.74
c	78.0	3.07

## CONVERSION KITS

## MATCHING ACCESSORIES

# AIRFLOW™ 1 VBA 200B

## 400 ML CARTRIDGE DISPENSER



Model shown: AirFlow 1 VBA 200B 400 mL

### FEATURES

- Minimum trigger pressure
- U-opening steel frame
- Snap fit cartridge strap
- Quick exhaust valve
- Customization possible

### BENEFITS

- For effortless use and minimum fatigue
- Ease of cartridge insertion and removal
- For optimal cartridge support
- Prevents run-on
- Customer labelling

### APPLICATIONS



### PRODUCT BY RANGE



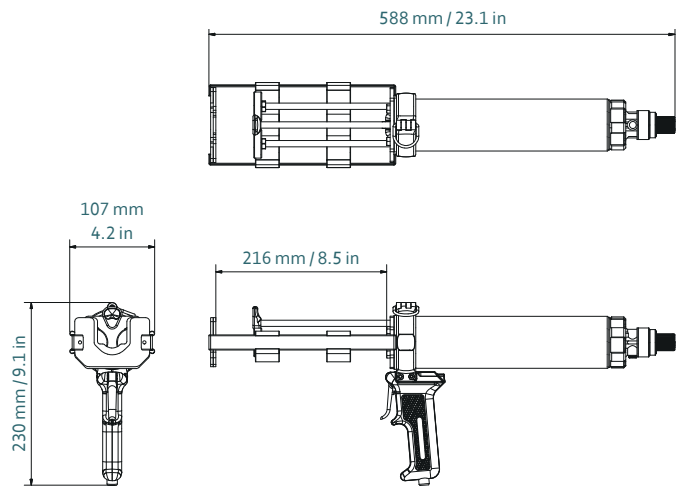


# THE AIRFLOW 1 VBA 200B 2-COMPONENT PNEUMATIC DISPENSER IS DESIGNED FOR USE WITH LOW TO MEDIUM VISCOSITY SEALANTS AND ADHESIVES. IT OFFERS FAST, ACCURATE AND EFFORTLESS APPLICATION.

## SPECIFICATIONS

- Weight: 2.2 kg / 4.8 lbs
- Frame Length: 216 mm / 8.5 in
- Maximum Thrust: 2.2 kN
- Maximum Pneumatic Pressure: 6.8 bar / 100 psi
- Air Consumption: 40 litres/min
- Handle Material: Aluminum
- Frame Material: Steel
- Tool Component Approvals: CE, REACH
- Cartridge Capacity: 400 mL (14 oz)
- Cartridge Ratio: 1:1
- Viscosity: Low/Medium
- Standard Color: Black/Blue
- Customized versions on demand

## DIMENSIONS



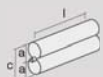
Part number	Article number	Packaging
DP2C 400-01-220-111	177772 / A200LP (US)	1 per Box

## MATCHING MIXPAC™ SIDE-BY-SIDE CARTRIDGES



C-System/F-System  
400 mL / 1:1 PP/PA

## COMPATIBLE SIDE-BY-SIDE CARTRIDGES



Plastic Cartridge  
400 mL / 1:1 PP/PBT

1:1	mm	inch
l	185.0	7.28
a	Ø 45.0	Ø 1.77
c	93.0	3.66

## CONVERSION KITS

## MATCHING ACCESSORIES

# AIRFLOW™ 1 VBA 200A

## 400 ML CARTRIDGE DISPENSER



Model shown: AirFlow 1 VBA 200A 400 mL

### FEATURES

- Air return as standard
- Minimum trigger pressure
- Snap fit cartridge strap
- Quick exhaust valve
- Customization possible

### BENEFITS

- Fast, accurate and effortless application
- For effortless use and minimum fatigue
- For optimal cartridge support
- Prevents run-on
- Customer labelling

### APPLICATIONS



### PRODUCT BY RANGE

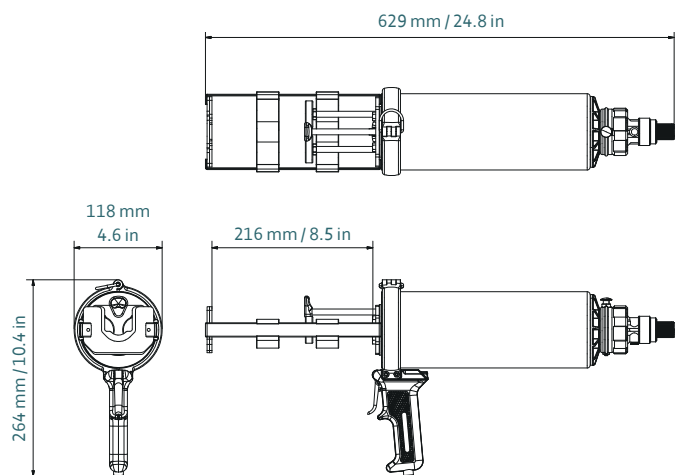


# THE AIRFLOW 1 VBA 200A 2-COMPONENT PNEUMATIC DISPENSER HAS AIR RETURN AS STANDARD WHILE THE U-OPENING STEEL FRAME AND CARTRIDGE STRAPS ALLOWS FOR EASY INSERTION AND SUPPORT OF CARTRIDGES.

## SPECIFICATIONS

- Weight: 2.93 kg / 6.4 lbs
- Frame Length: 216 mm / 8.6 in
- Maximum Thrust: 5.0 kN
- Maximum Pneumatic Pressure: 6.8 bar / 100 psi
- Air Consumption: 40 litres/min
- Handle Material: Aluminum
- Frame Material: Steel
- Tool Component Approvals: CE, REACH
- Cartridge Capacity: 400 mL (14 oz)
- Cartridge Ratio: 1:1
- Viscosity: Medium/High
- Standard Color: Black/Blue
- Customized versions on demand

## DIMENSIONS



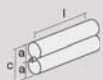
Part number	Article number	Packaging
DP2C 400-01-500-111	177775	1 per Box

## MATCHING MIXPAC™ CARTRIDGES



C-System/F-System  
400 mL / 1:1 PP/PA/PBT

## COMPATIBLE SIDE-BY-SIDE CARTRIDGES



Plastic Cartridge  
400 mL / 1:1 PP/PBT

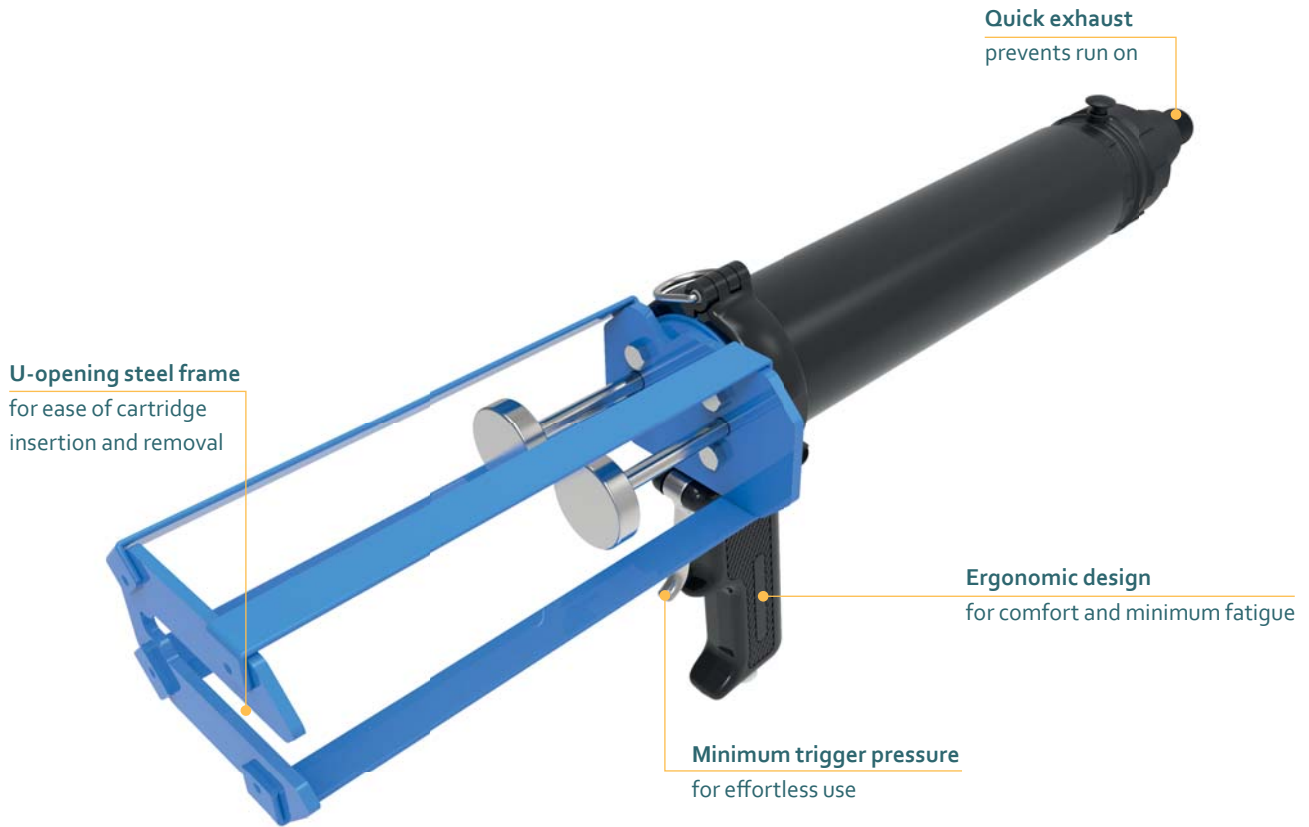
1:1	mm	inch
l	185.0	7.28
a	Ø 45.0	Ø 1.77
c	93.0	3.66

## CONVERSION KITS

## MATCHING ACCESSORIES

# AIRFLOW™ 1 VBA 400B MR

## 400 ML CARTRIDGE DISPENSER



Model shown: AirFlow 1 VBA 400B MR 400 mL

### FEATURES

- Air return as standard
- Minimum trigger pressure
- U-opening steel frame
- Quick exhaust valve
- Customization possible

### BENEFITS

- Fast, accurate and effortless application
- For effortless use and minimum fatigue
- Ease of cartridge insertion and removal
- Prevents run-on
- Customer labelling

### APPLICATIONS



### PRODUCT BY RANGE

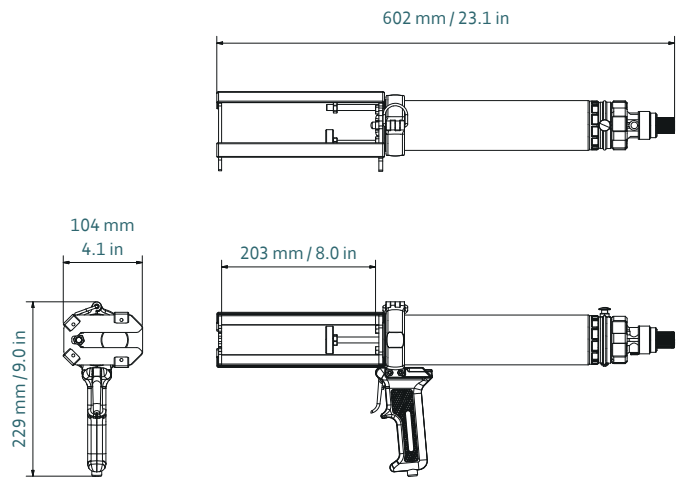


# THE AIRFLOW 1 VBA 400B MR 2-COMPONENT MULTI-RATIO PNEUMATIC DISPENSER OFFERS AIR RETURN AS STANDARD FOR FAST, ACCURATE AND EFFORTLESS APPLICATION, WHILE THE QUICK EXHAUST VALVE PREVENTS RUN ON.

## SPECIFICATIONS

- Weight: 2.2 kg / 4.8 lbs
- Frame Length: 203 mm / 8.0 in
- Maximum Thrust: 2.2 kN
- Maximum Pneumatic Pressure: 6.8 bar / 100 psi
- Air Consumption: 40 litres/min
- Handle Material: Aluminum
- Frame Material: Steel
- Tool Component Approvals: CE, REACH
- Cartridge Capacity: 400 mL (14 oz)
- Cartridge Ratio: 1:1, 2:1, 4:1, 10:1
- Viscosity: Low/Medium
- Standard Color: Black/Blue
- Customized versions on demand

## DIMENSIONS



Part number	Article number	Packaging
DP2C 400-MR-220-101	177698	1 per Box

## MATCHING MIXPAC™ SIDE-BY-SIDE CARTRIDGES



C-System/F-System  
400 mL / 1:1 PP/PA



C-System/F-System  
400 mL / 2:1 PP/PA



C-System/F-System  
400 mL / 4:1 PP/BPT



C-System/F-System  
400 mL / 10:1 PP/BPT

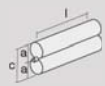


BlueLine  
400 mL / 2:1 PP/BPT

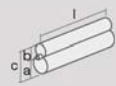


BlueLine  
400 mL / 10:1 PP/BPT

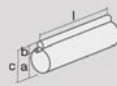
## COMPATIBLE SIDE-BY-SIDE CARTRIDGES



Plastic Cartridge  
400 mL / 1:1 PP/PBT



Plastic Cartridge  
400 mL / 2:1 PP



Plastic Cartridge  
400 mL / 10:1 PP/PBT

	1:1	mm	inch	2:1	mm	inch	10:1	mm	inch
l		185.0	7.28	l	185.0	7.28	l	185.0	7.28
a		Ø 45.0	Ø 1.77	a	Ø 47.0	Ø 1.85	a	Ø 65.0	Ø 2.56
c		93.0	3.66	b	Ø 33.0	Ø 1.3	b	Ø 19.5	Ø 0.77
				c	96.0	3.78	c	94.0	3.7

## CONVERSION KITS

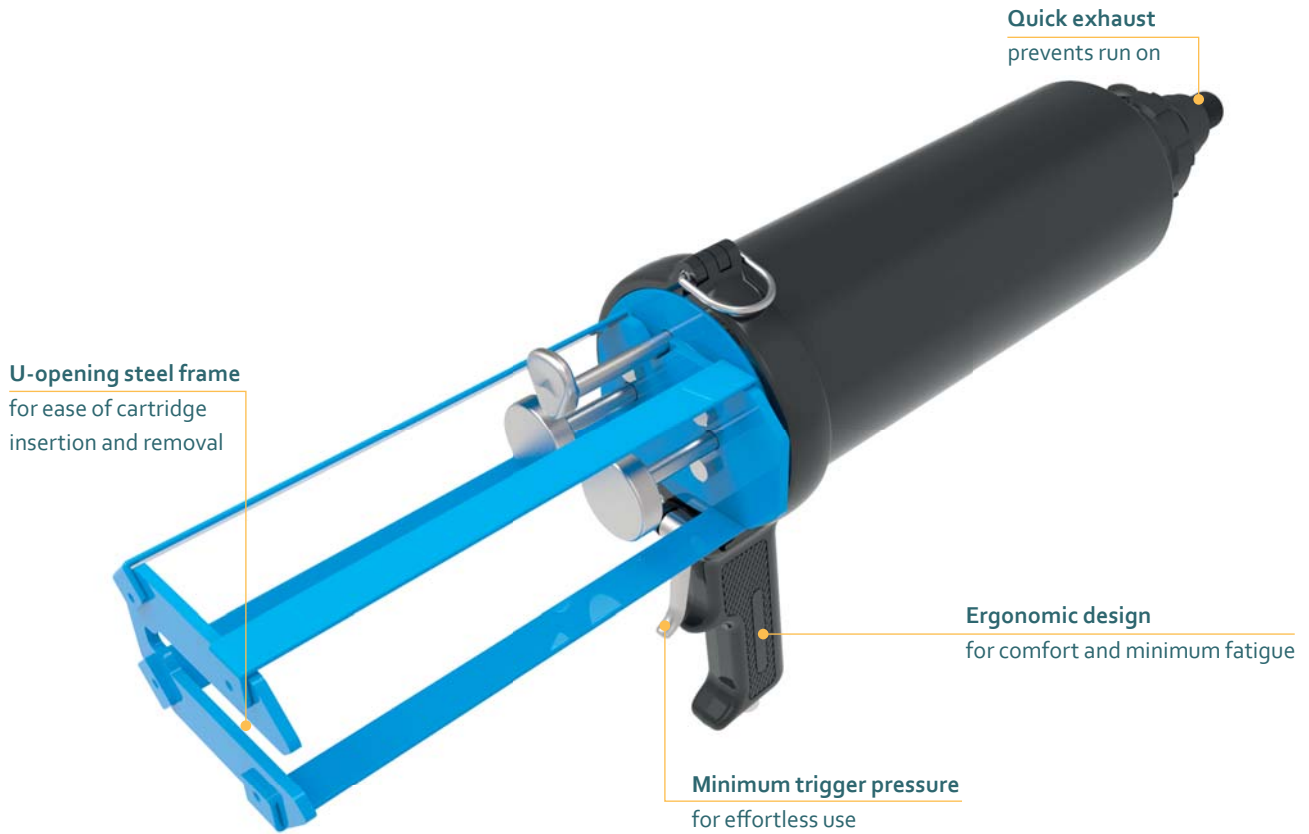
Conversion kit included

## MATCHING ACCESSORIES

—

# AIRFLOW™ 1 VBA 400A MR

## 400 ML CARTRIDGE DISPENSER



Model shown: AirFlow 1 VBA 400B MR 400 mL

### FEATURES

- Air return as standard
- Adjustable air regulator
- Minimum trigger pressure
- U-opening steel frame
- Quick exhaust valve
- Customization possible

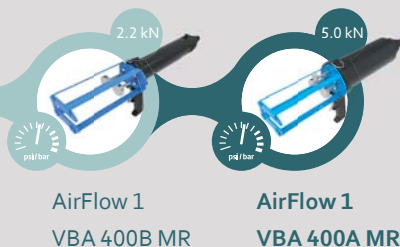
### BENEFITS

- Fast, accurate and effortless application
- Ensures precise controlled pressure
- For effortless use and minimum fatigue
- Ease of cartridge insertion and removal
- Prevents run-on
- Customer labelling

### APPLICATIONS



### PRODUCT BY RANGE

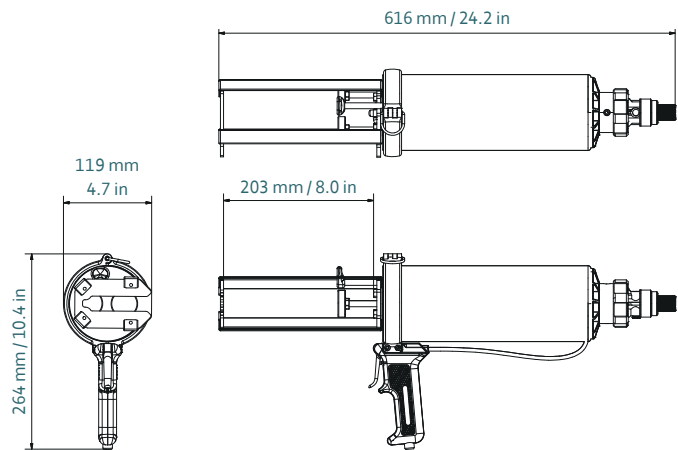


# THE AIRFLOW 1 VBA 400A MR 2-COMPONENT MULTI-RATIO PNEUMATIC DISPENSER WITH ADJUSTABLE AIR REGULATOR ENSURES PRECISE AND CONTROLLED PRESSURE FOR EFFORTLESS APPLICATION.

## SPECIFICATIONS

- Weight: 3.3 kg / 7.3 lbs
- Frame Length: 203 mm / 8.0 in
- Maximum Thrust: 5.0 kN
- Maximum Pneumatic Pressure: 6.8 bar / 100 psi
- Air Consumption: 40 litres/min
- Handle Material: Epoxy Coated Aluminum
- Frame Material: Epoxy Coated Steel
- Tool Component Approvals: CE, REACH
- Cartridge Capacity: 400 mL (14 oz)
- Cartridge Ratio: 1:1, 2:1, 4:1, 10:1
- Viscosity: Medium/High
- Standard Color: Black/Blue
- Customized versions on demand

## DIMENSIONS



Part number	Article number	Packaging
DP2C 400-MR-525-101	177688	1 per Box

## MATCHING MIXPAC™ SIDE-BY-SIDE CARTRIDGES



C-System/F-System  
400 mL / 1:1 PP/PA



C-System/F-System  
400 mL / 2:1 PP/PA



C-System/F-System  
400 mL / 4:1 PP/BPT



C-System/F-System  
400 mL / 10:1 PP/BPT

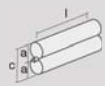


BlueLine  
400 mL / 2:1 PP/BPT

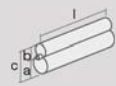


BlueLine  
400 mL / 10:1 PP/BPT

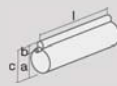
## COMPATIBLE SIDE-BY-SIDE CARTRIDGES



Plastic Cartridge  
400 mL / 1:1 PP/PBT



Plastic Cartridge  
400 mL / 2:1 PP



Plastic Cartridge  
400 mL / 10:1 PP/PBT










	1:1	mm	inch	2:1	mm	inch	10:1	mm	inch
l		185.0	7.28	l	185.0	7.28	l	185.0	7.28
a		Ø 45.0	Ø 1.77	a	Ø 47.0	Ø 1.85	a	Ø 65.0	Ø 2.56
c		93.0	3.66	b	Ø 33.0	Ø 1.3	b	Ø 19.5	Ø 0.77
				c	96.0	3.78	c	94.0	3.7

## CONVERSION KITS

## MATCHING ACCESSORIES

# COX™ DISPENSER ACCESSORIES




MAKE THE MOST OF YOUR DISPENSER WITH THE FOLLOWING RANGE OF COX ACCESSORIES.

	Name/Description	Part Number	Compatible with
<b>Battery dispenser accessories</b>			
	<b>Bosch Professional Charger</b> Universal battery charger for 18 V batteries.	163517 (EU) 165577 (UK) 165572 (US)	ElectraFlow™ Dual Ultra
	<b>Bosch Professional Battery</b> Lithium-ion battery, 18 V 2.0 Ah.	175925 163515 (US)	ElectraFlow™ Dual Ultra
	<b>Plunger kit 400 mL (Dual Ultra 400 MR)</b> Interchangeable plungers (1:1, 2:1, 4:1, 10:1) allow for quick and easy configuration.	163518	ElectraFlow™ Dual Ultra 400 MR
	<b>Straps spares kit</b> Interchangeable cartridge holding straps (1:1, 2:1, 4:1, 10:1).	163519	ElectraFlow™ Dual Ultra 400 MR
	<b>Shoulder strap</b> Supports tool while in use.	180952	EasiPower Plus ElectraFlow™ Plus
<b>Battery dispenser accessories</b>			
	<b>Universal Battery Charger</b> 10.8 V	175931 83002-L (US)	EasiPower Plus
	<b>Lithium-ion Battery</b> 10.8 V	163080 83001-L (US)	EasiPower Plus
<b>Pneumatic dispenser accessories</b>			
	<b>Spray Kit</b> This kit bypasses some of the compressed air from the front of the dispenser into the spray nozzle. Suitable for low viscosity materials like silicones/sprayable ceramics.	176912	All COX 2-component high power pneumatic dispensers with large diameter barrel
<b>Manual dispenser accessories</b>			
	<b>Plunger kit 400mL (for VBM 400X MR)</b>	176832 (All ratio kit : 1:1 / 2:1 / 4:1 / 10:1) 159078 (1:1 ratio kit) 159079 (2:1 ratio kit) 159080 (4:1 ratio kit) 159081 (10:1 ratio kit)	VBM 400X MR



# COX™ DISPENSER ACCESSORIES

MAKE THE MOST OF YOUR DISPENSER WITH THE FOLLOWING RANGE OF COX ACCESSORIES.

Name/Description	Part Number	Compatible with
<b>General dispenser accessories</b>		
 <p><b>Plastic Manifold – without non-return valve</b> Connection for two individual plastic cartridges (same material or 2-component systems). The cartridges are screwed on to the manifold and the material is then dispensed through a nozzle.</p>	158945	Manual Dispenser: CBM 310XC CBM 310XS Pneumatic Dispenser: AirFlow 1 CBA 200C AirFlow 1 CBA 310S AirFlow 1 CBA 600S
 <p><b>Plastic Manifold – with non-return valve</b> Connection for two individual plastic cartridges (same material or 2-component systems). The cartridges are screwed onto the manifold and the material is then dispensed through a nozzle.</p>	162563	Manual Dispenser: CBM 310XC CBM 310XS Pneumatic Dispenser: AirFlow 1 CBA 200C AirFlow 1 CBA 310S AirFlow 1 CBA 600S
 <p><b>Plastic Manifold ABS black</b> Connection for two individual plastic cartridges (same material or 2-component systems). The cartridges are screwed onto the manifold and the material is then dispensed through a nozzle.</p>	176072	Manual Dispenser: CBM 310XC CBM 310XS Pneumatic Dispenser: AirFlow 1 CBA 200C AirFlow 1 CBA 310S AirFlow 1 CBA 600S

## WARRANTY STATEMENT

medmix offers a (2) year manufacturing warranty effective at the date of invoice.

medmix will repair or replace any product which examination proves to be a manufacture defect.

With the exception of: COX™ EasiFlow™ and MidiFlow™ dispenser ranges which have a warranty for one (1) year from the date of invoice.

### LIMITATIONS:

**This warranty does not cover:**

1. Repairs made or attempted by other than medmix UK Ltd. or Authorized Service Centre
2. Normal wear and tear
3. Misuse
4. Improper maintenance
5. Continued use after partial failure
6. Tools that have been modified or used with improper accessories

Should a problem develop while still under warranty, return the complete product to medmix UK Ltd. freight prepaid and insured. If inspection shows the problem has been caused by a defect in manufacture, all repairs, or a replacement will be made, at no charge and the product will be returned, transportation prepaid. No other warranty, written or verbal, is authorized.

The repair and replacement remedies described herein are exclusive. In no event shall medmix UK Ltd. be liable for any incidental, special, or consequential damages, including loss of profits, loss of use or loss of production.

This warranty is in lieu of all other warranties, expressed or implied including without limitation the implied warranties of merchantability and fitness for a particular purpose, which are expressly disclaimed.

# DELIVERING INNOVATION. INSPIRING CONFIDENCE.

## EUROPE

### medmix Switzerland AG

Ruetistrasse 7

9469 Haag, Switzerland

Phone +41 81 414 70 00

[sales.industry@medmix.com](mailto:sales.industry@medmix.com)

[www.medmix.swiss](http://www.medmix.swiss)

## USA, SOUTH AMERICA, CANADA AND MEXICO

### medmix USA Inc.

8 Willow St.

Salem, NH 03079, USA

Phone +1 603 893 2727

[sales.industry@medmix.com](mailto:sales.industry@medmix.com)

[www.medmix.swiss](http://www.medmix.swiss)

## UK AND IRELAND

### medmix UK Ltd.

1 Tealgate, Charnham Park, Hungerford

Berkshire, RG17 0YT, United Kingdom

Phone: +44 (0)1488 647 800

[sales.industry@medmix.com](mailto:sales.industry@medmix.com)

[www.coxdispensers.com](http://www.coxdispensers.com)

## ASIA PACIFIC

### medmix China Ltd.

68 Bei Dou Lu, Minhang Shanghai

200245, China

Phone: +86 21 6430 68 68

[sales.industry@medmix.com](mailto:sales.industry@medmix.com)

[www.medmix.swiss](http://www.medmix.swiss)



Legal Notice: This brochure is a general presentation. The information contained in this publication is believed to be accurate and reliable but is not to be construed as implying any warranty or guarantee of performance. We waive any liability and indemnity for effects resulting from its application. Please, contact us for a description of the warranties and guarantees offered with our products. Directions for use and safety will be given separately. All information herein is subject to change without notice.

© 2022 medmix Switzerland AG All rights reserved.

medmix is a trademark belonging to medmix AG, and COX is a trademark belonging to medmix Switzerland AG.